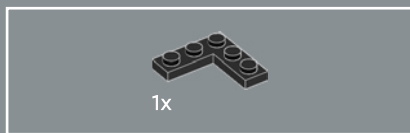
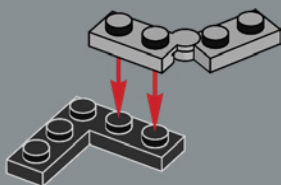
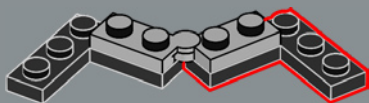


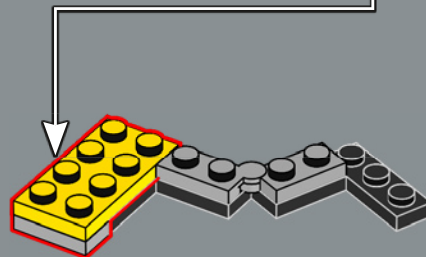
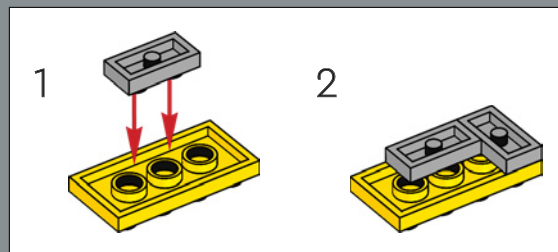
293



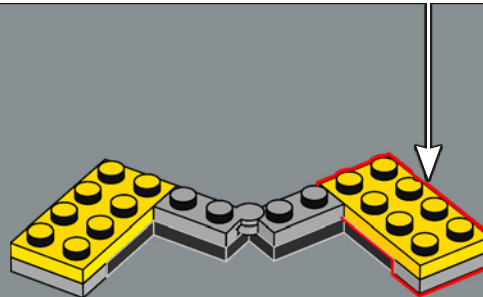
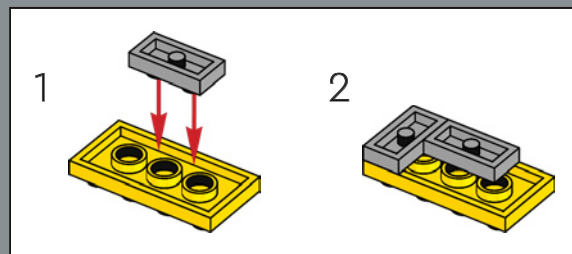
294

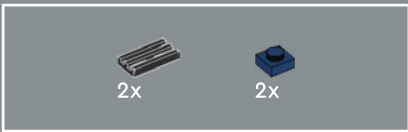


295

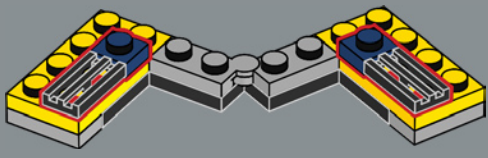


296





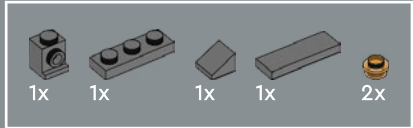
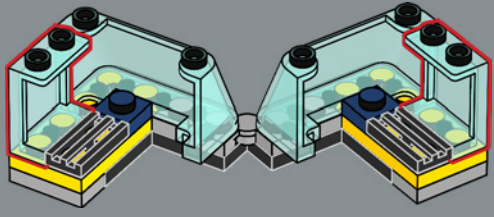
297



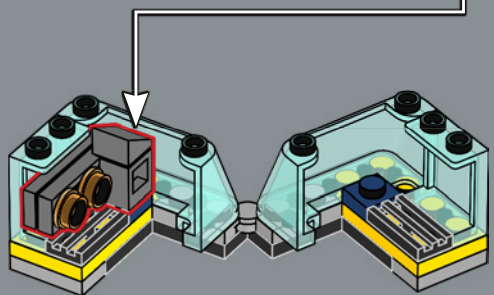
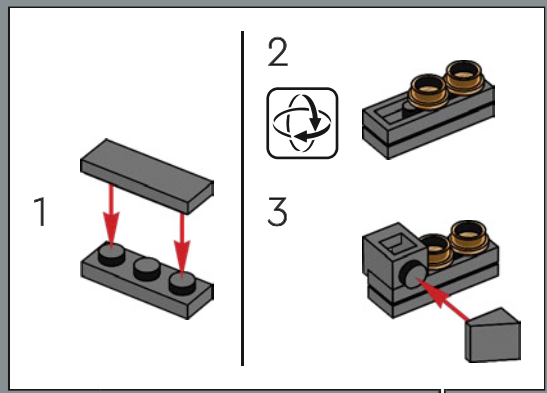
298

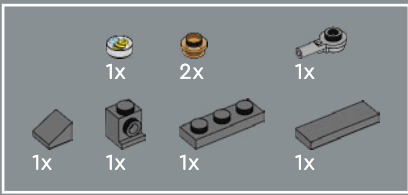


299

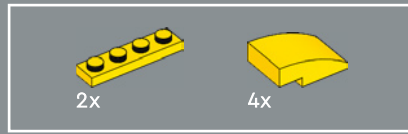
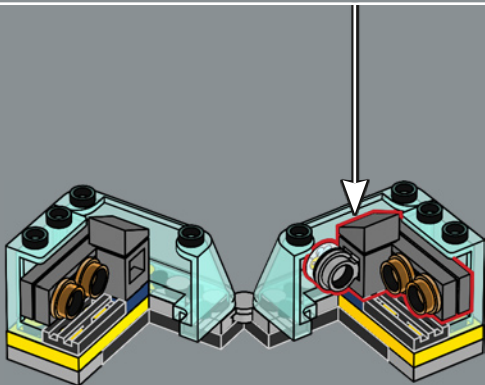
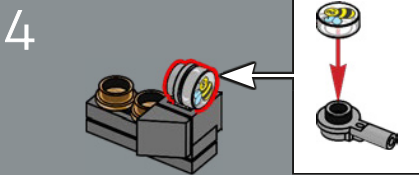
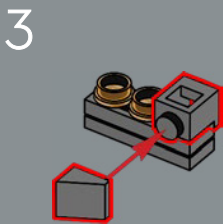
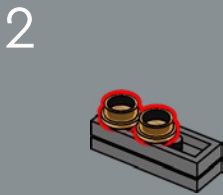
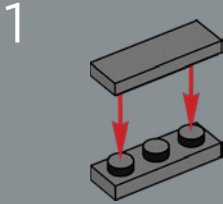


300

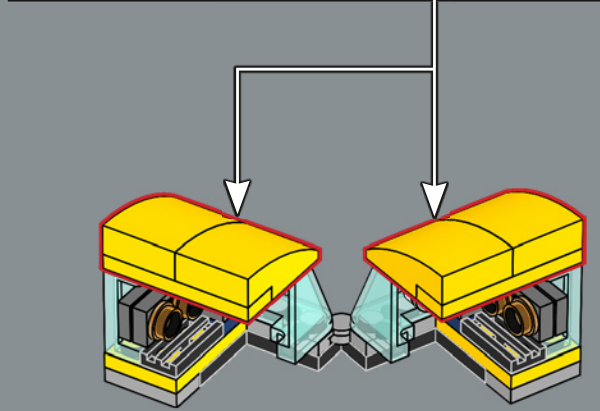
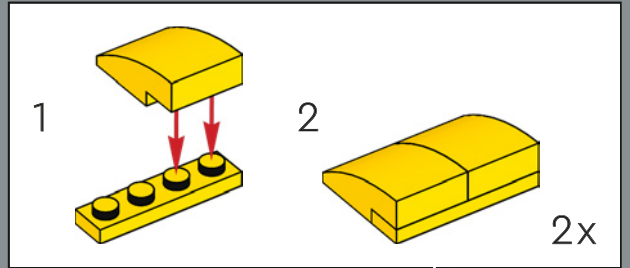




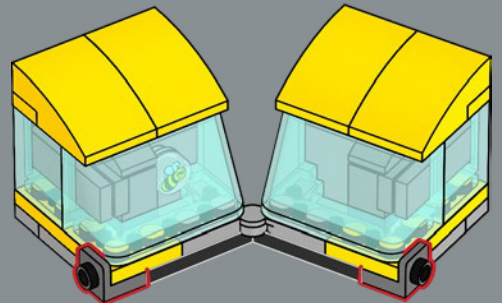
301



302

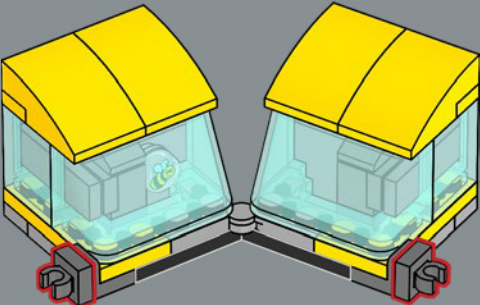


303

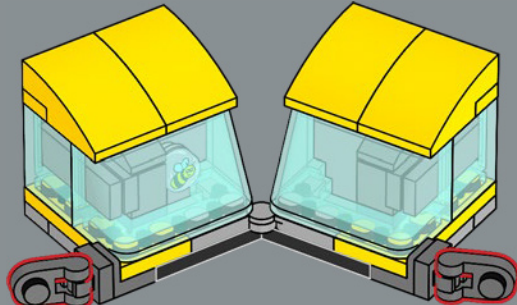




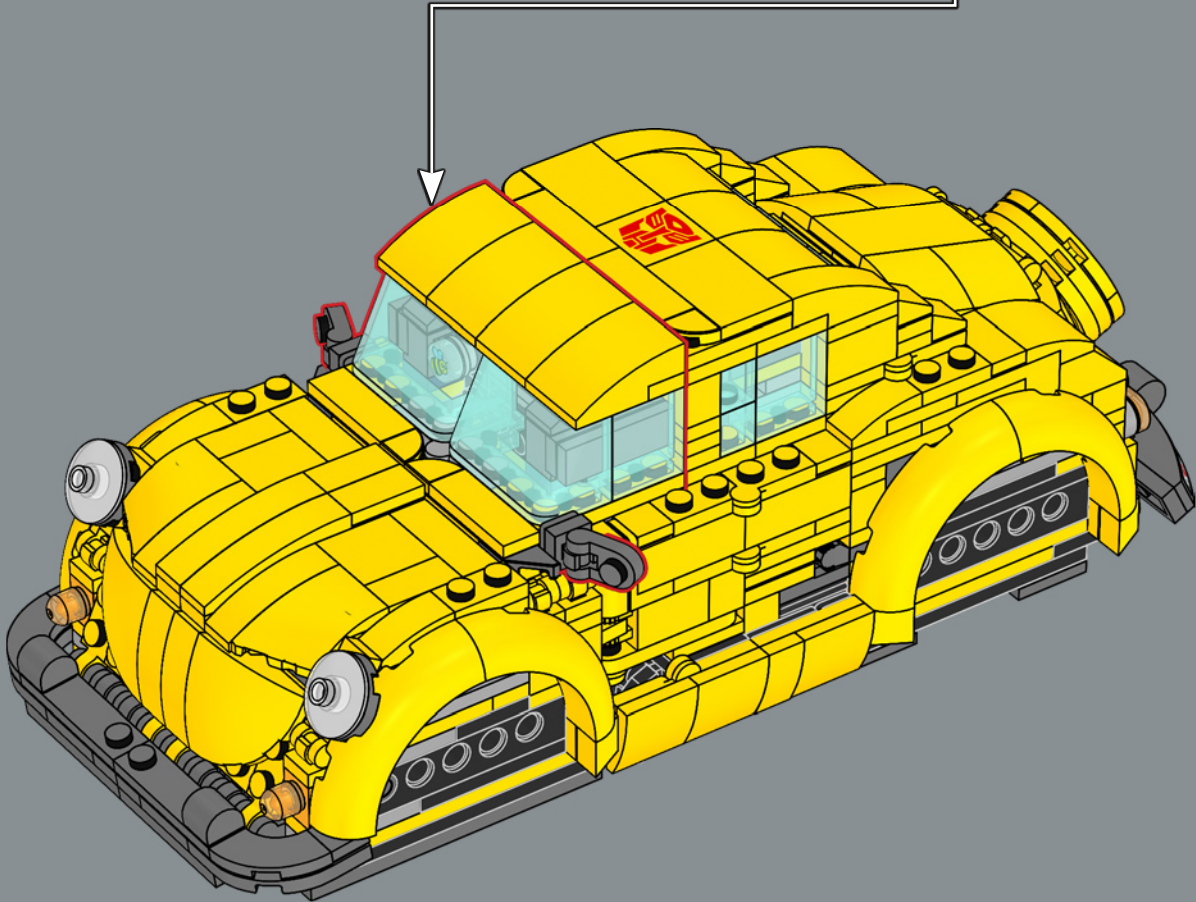
304



305

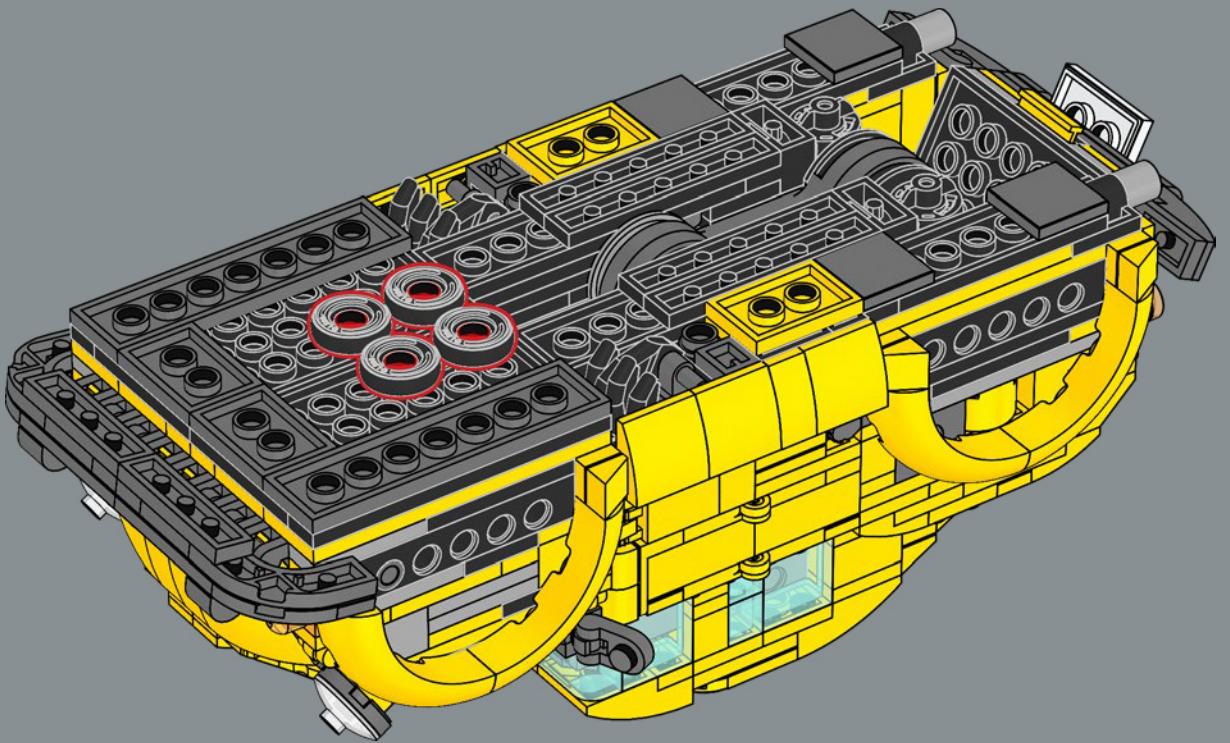


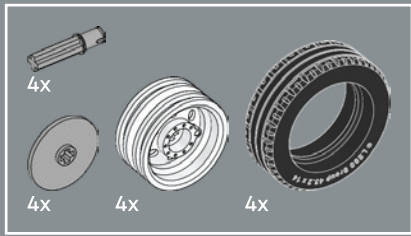
306



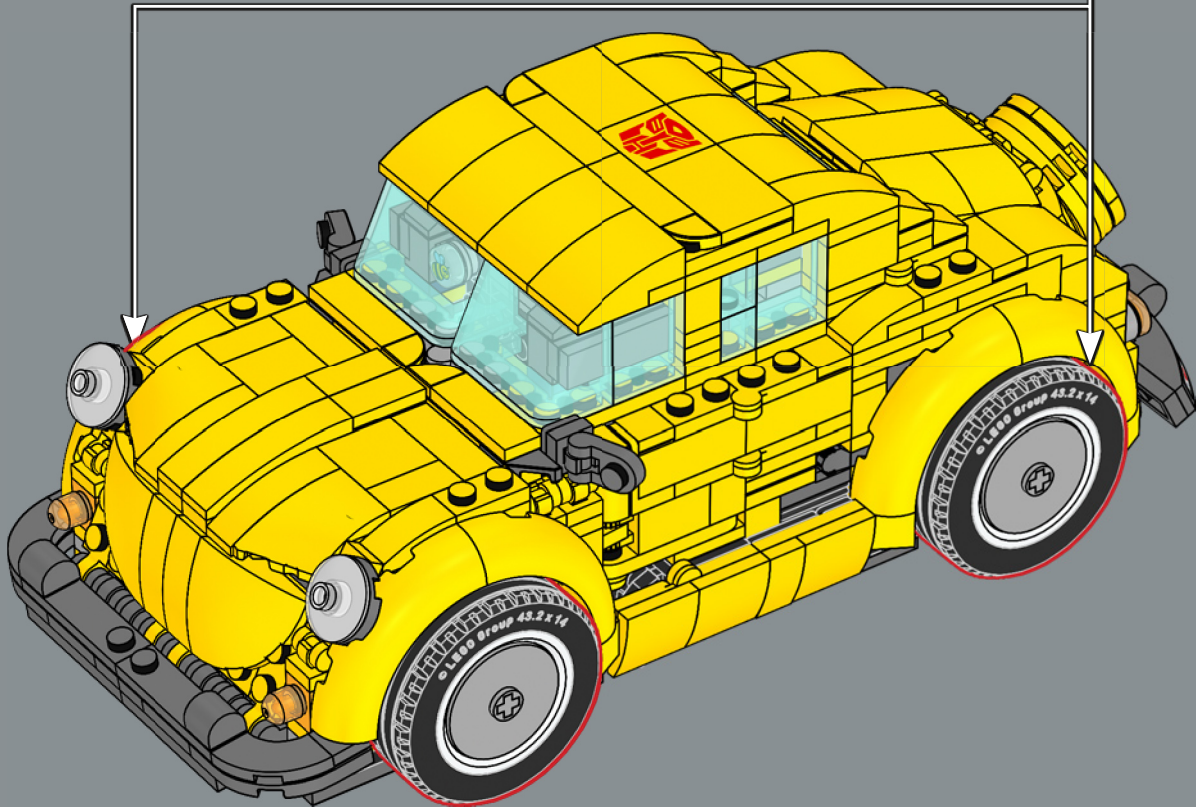
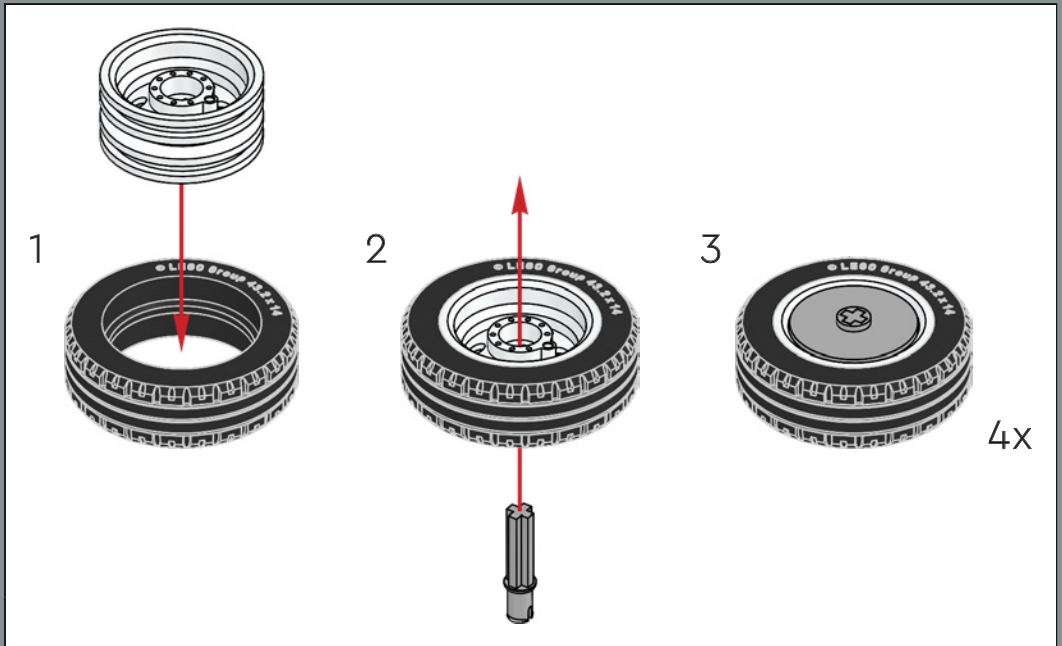


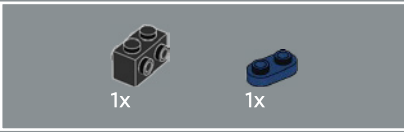
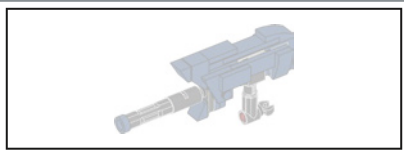
307



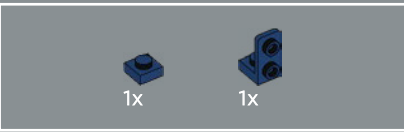
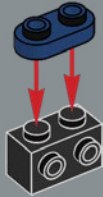


308

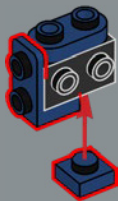




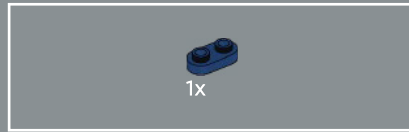
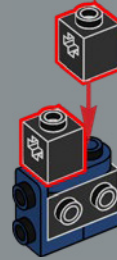
1



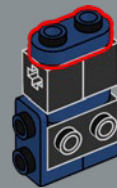
2

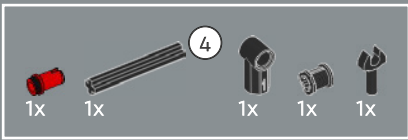


3

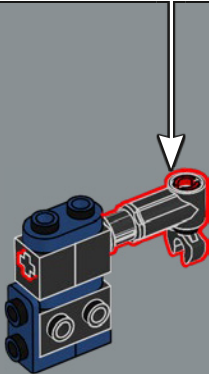
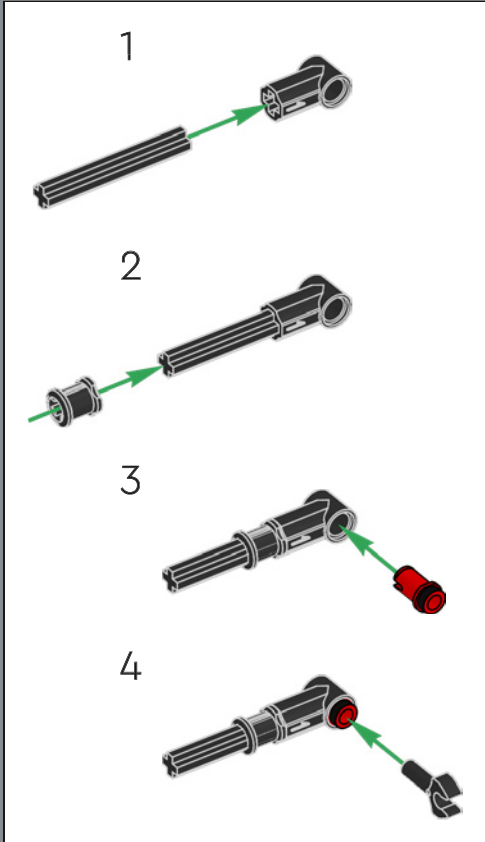


4

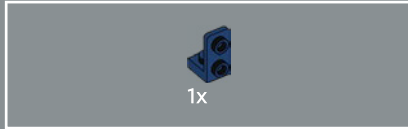
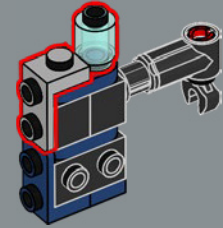




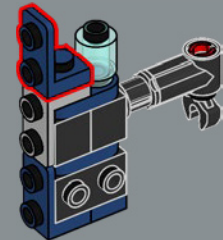
5



6

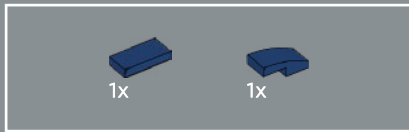
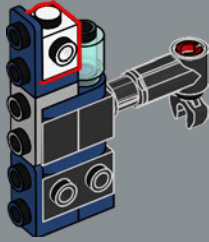


7

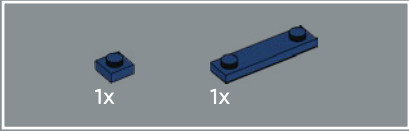
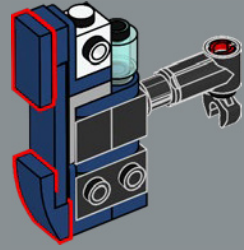




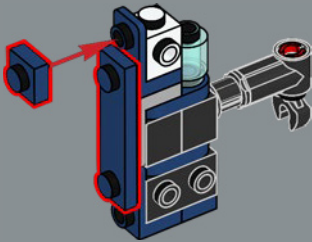
8



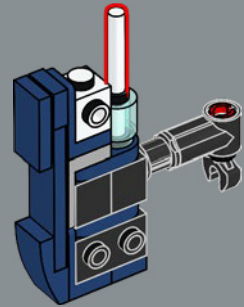
10



9

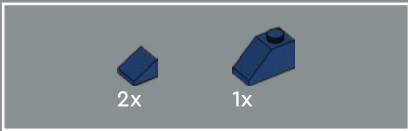
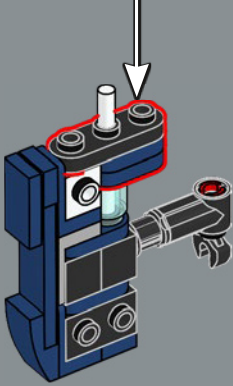
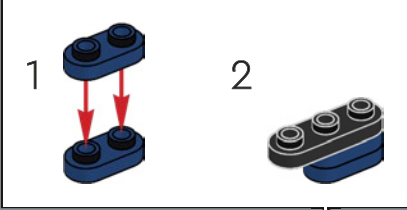


11

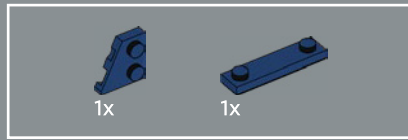
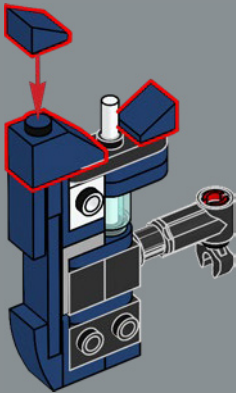




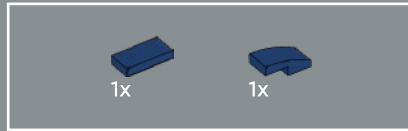
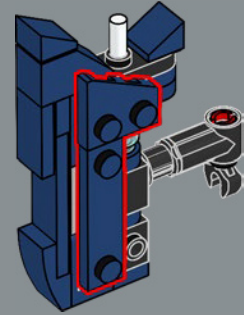
12



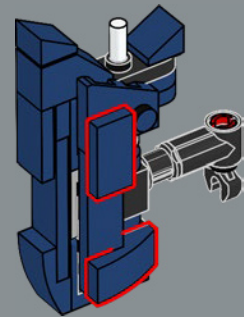
13

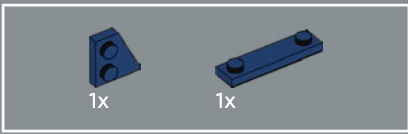


14

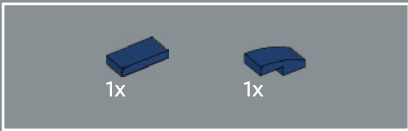
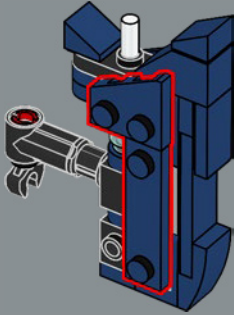


15

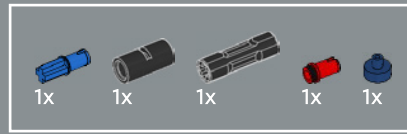
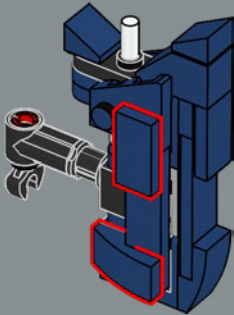




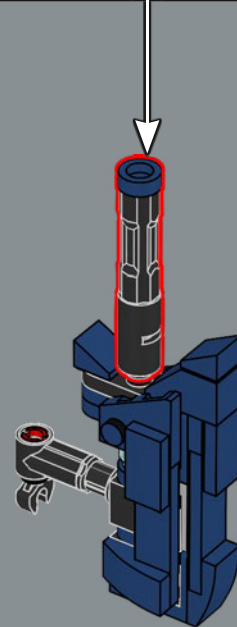
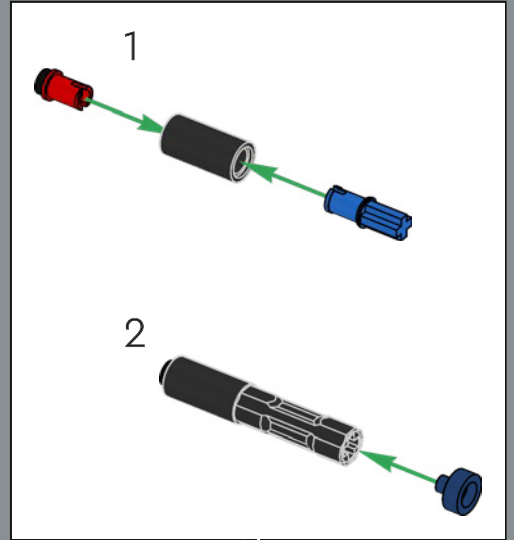
16

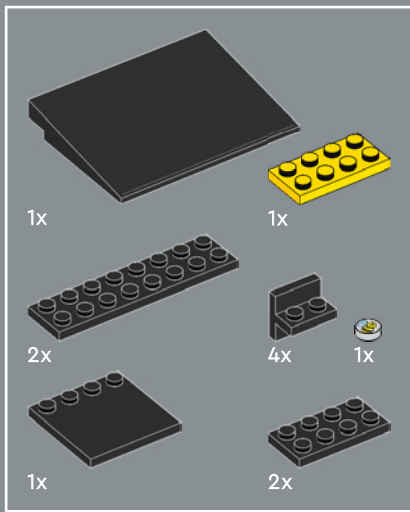


17

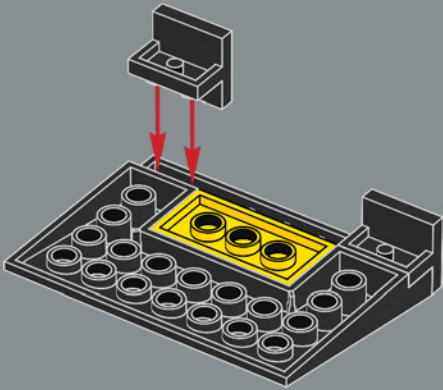


18

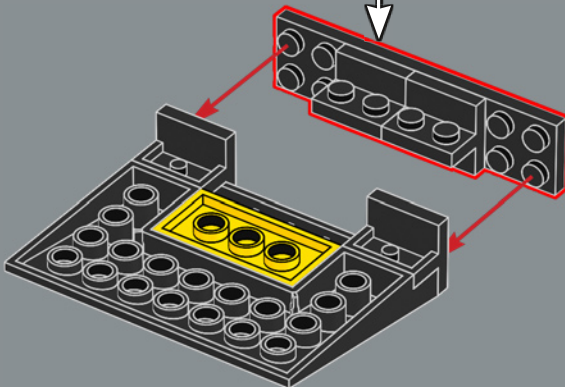
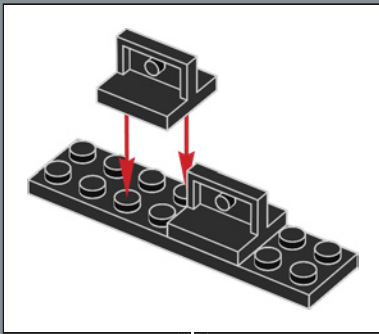




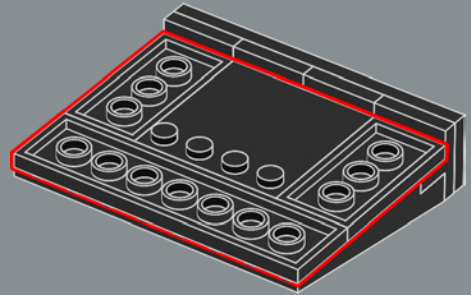
1



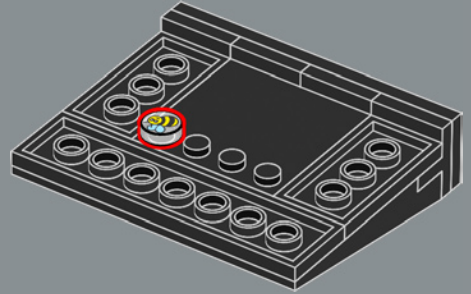
2



3

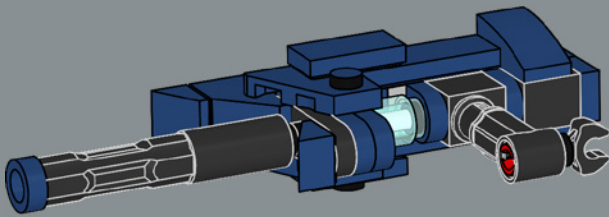
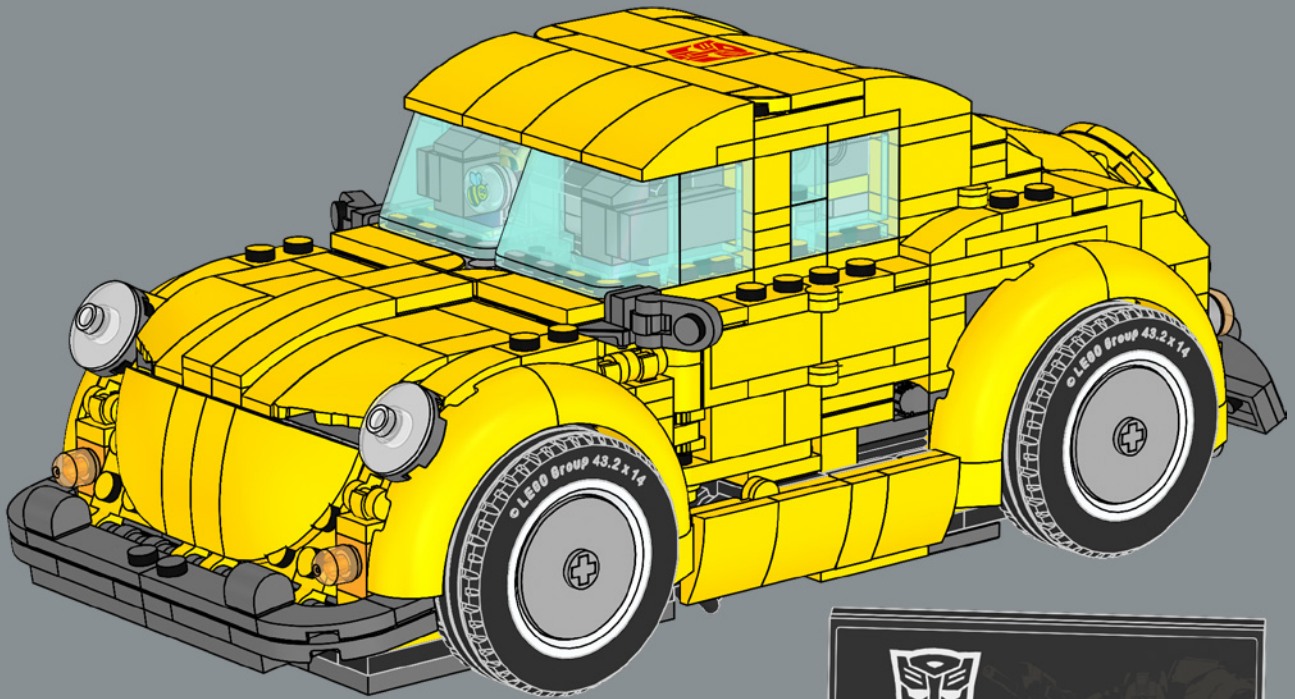


4



5







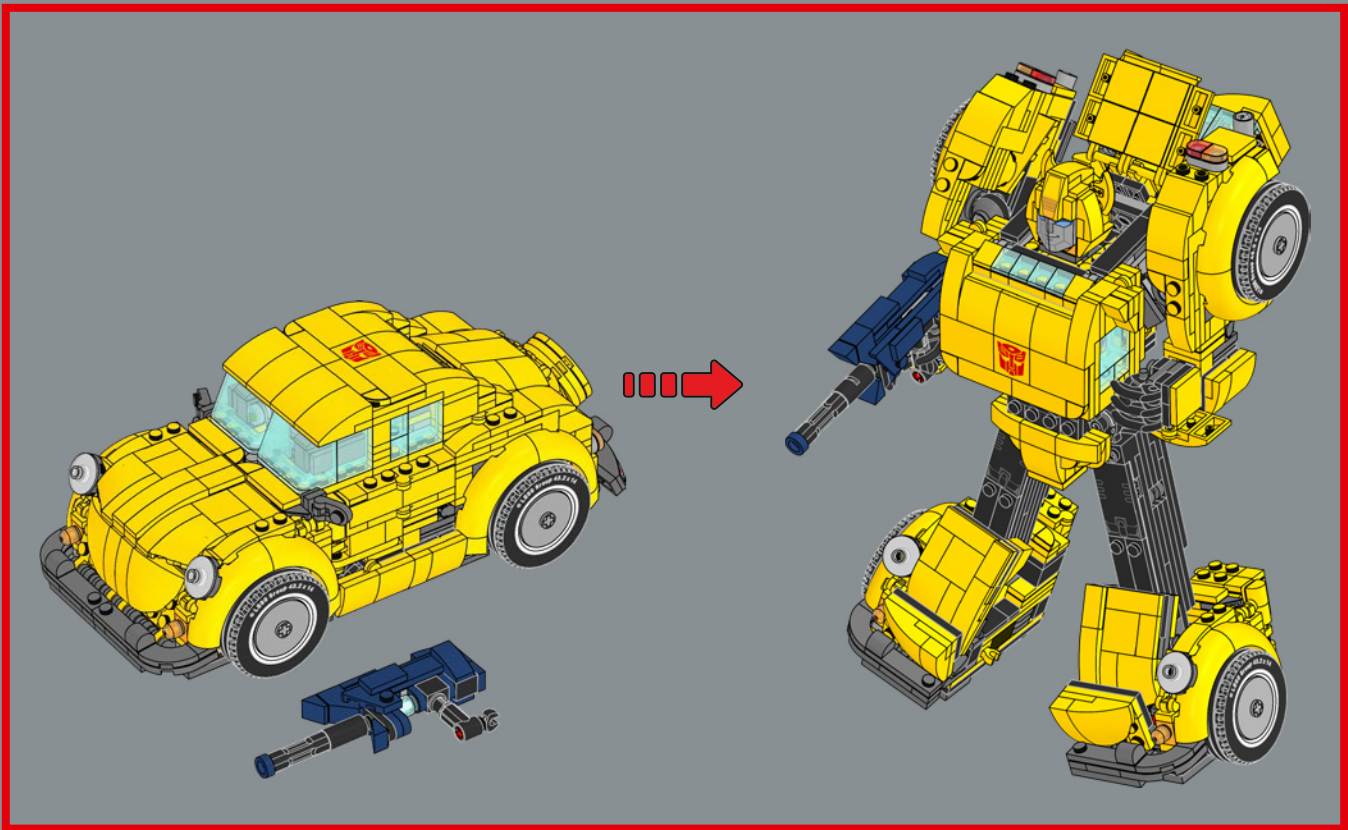
BUMBLEBEE

FUNCTION: SCOUT
 "The least likely can be the most dangerous"

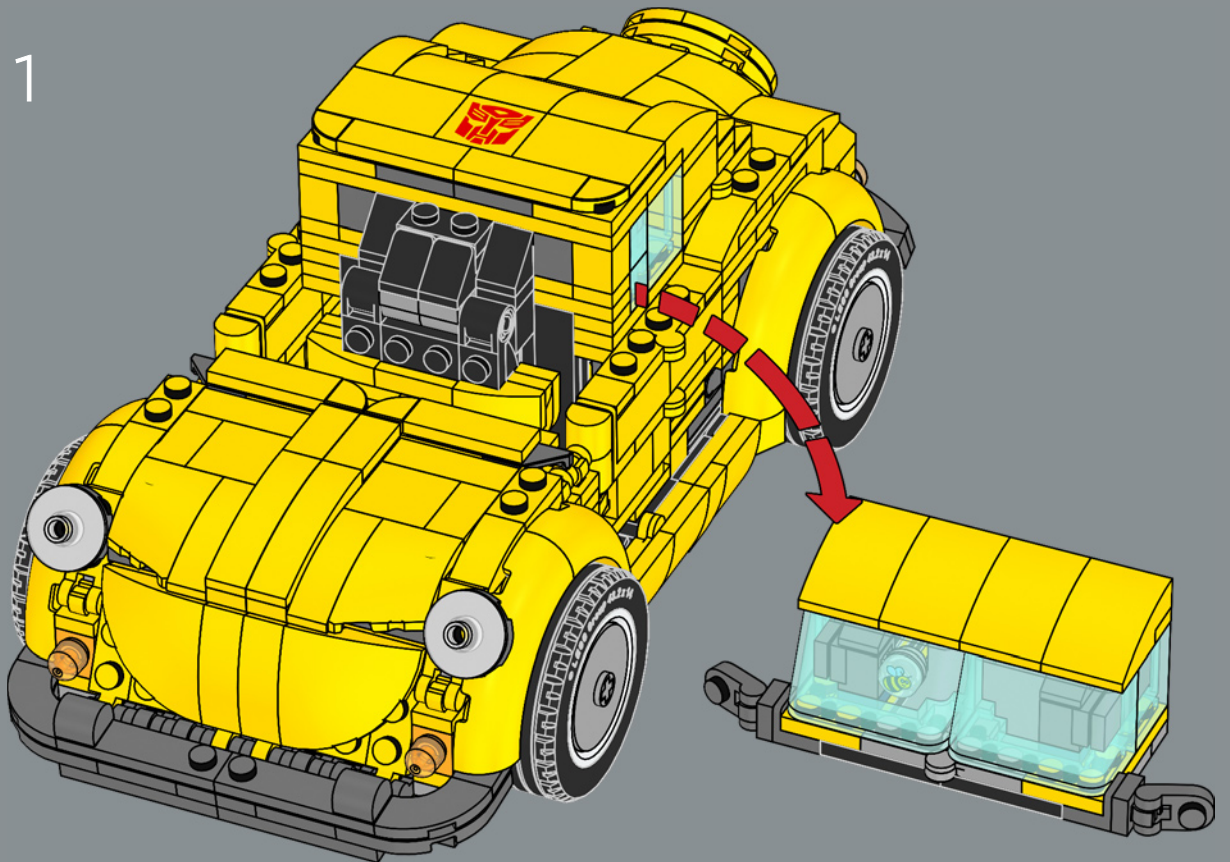
STRENGTH:	2	RANK:	7
INTELLIGENCE:	8	COURAGE:	10
SPEED:	4	FIREPOWER:	1
ENDURANCE:	7	SKILL:	7

Hidden behind the plaque, there is a little bee.

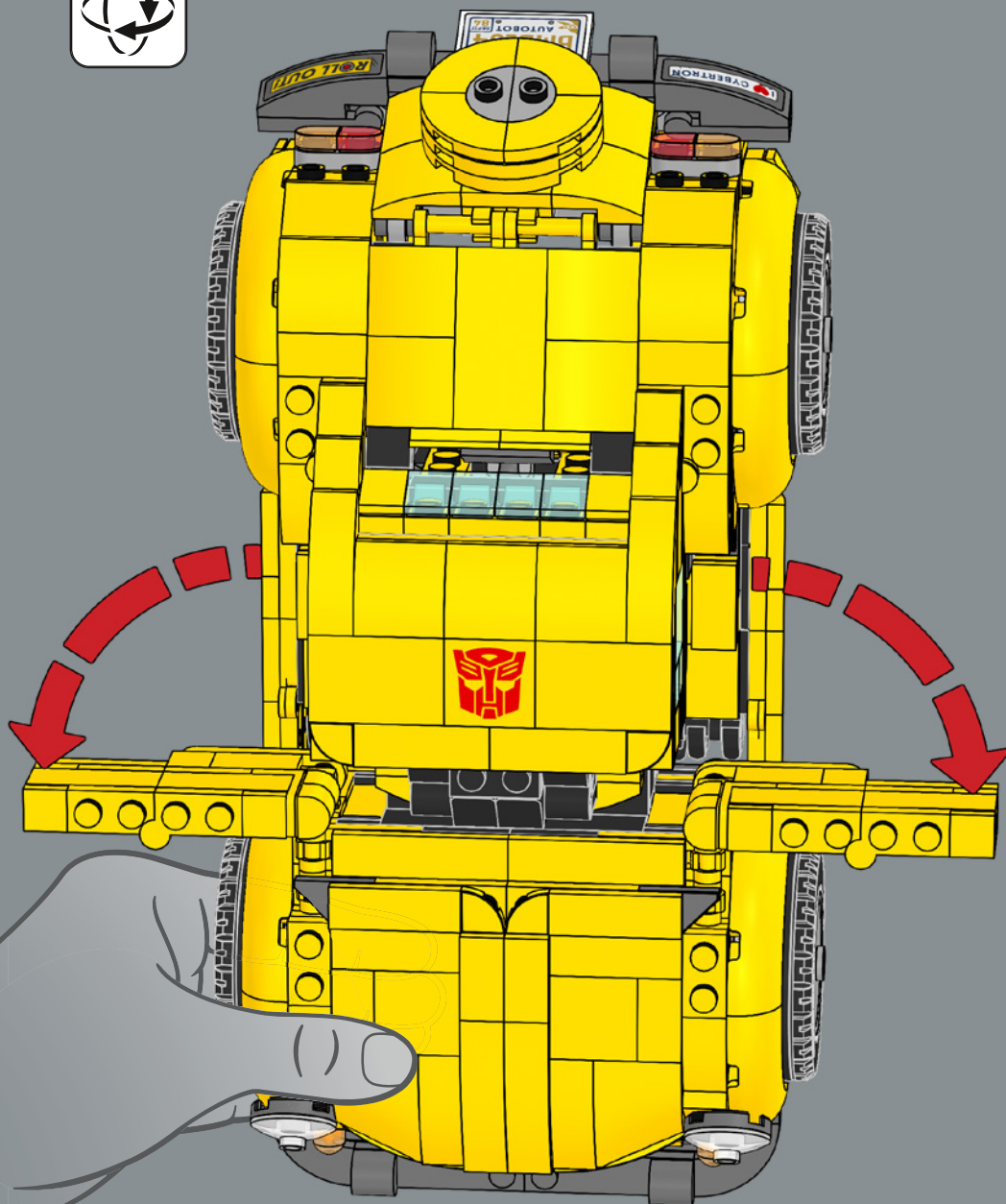




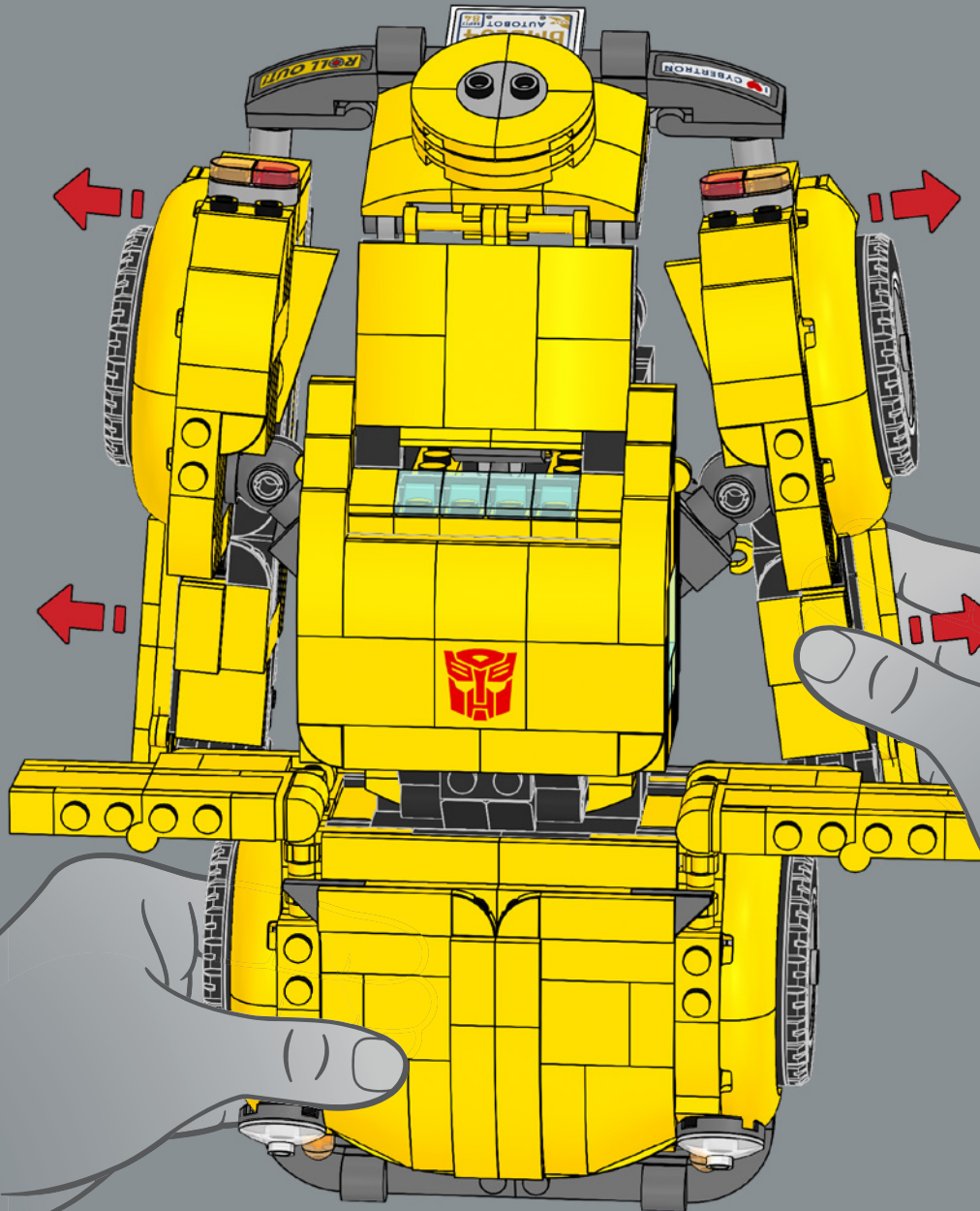
1

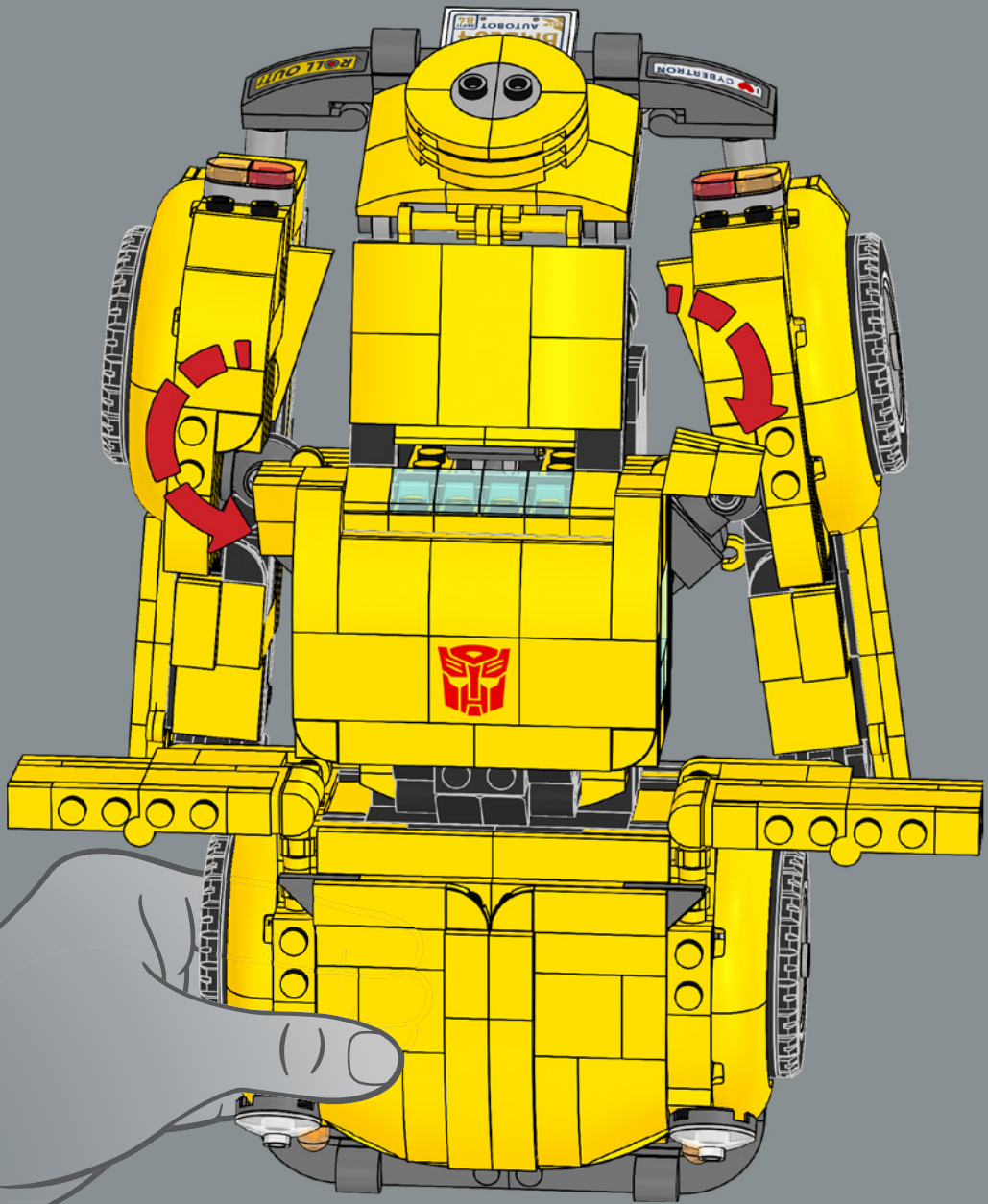


2

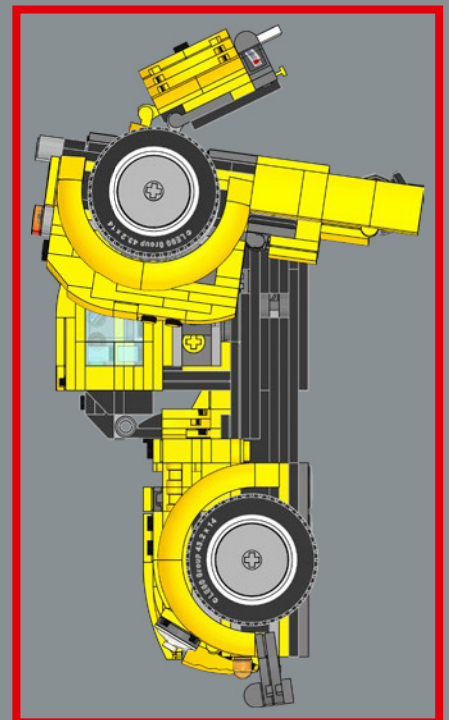
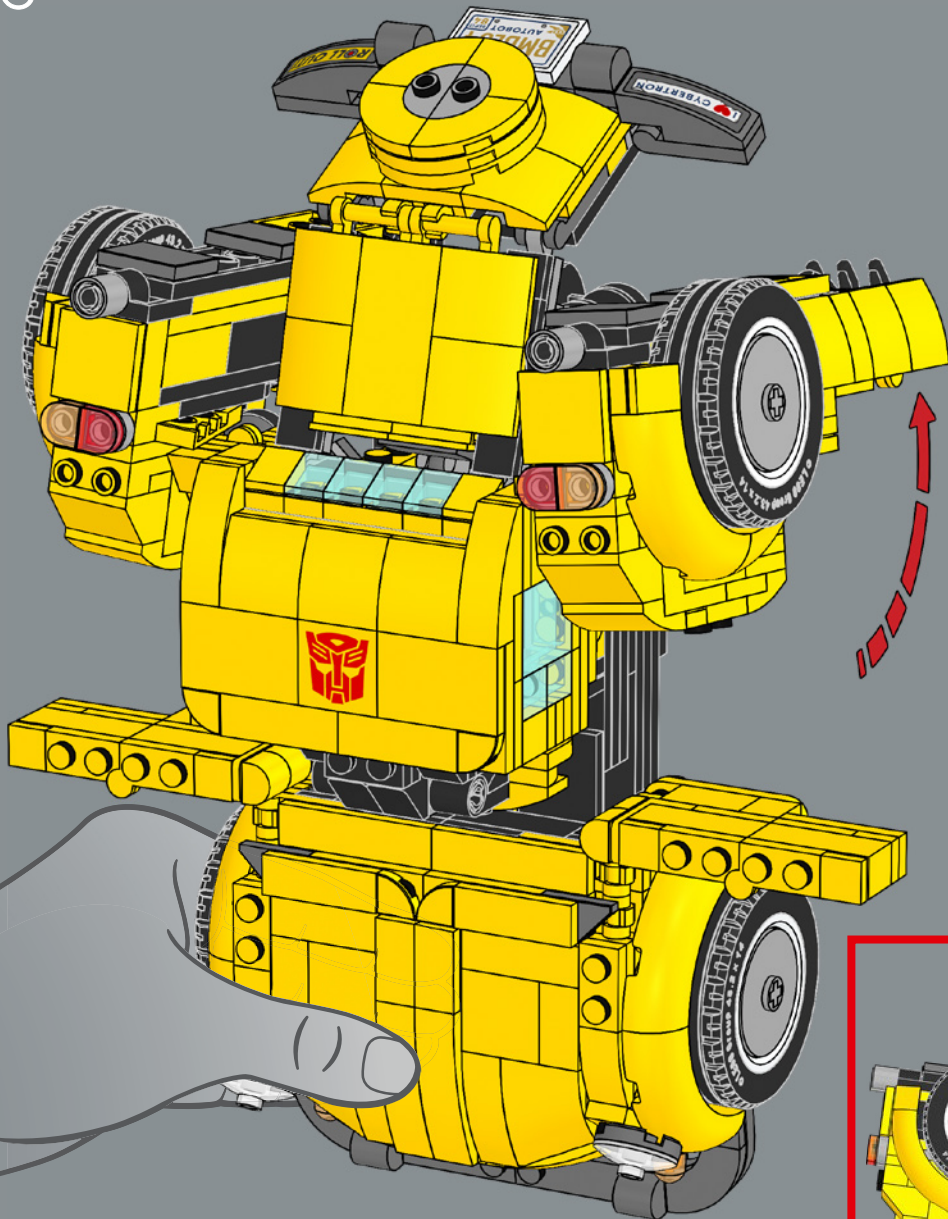


3

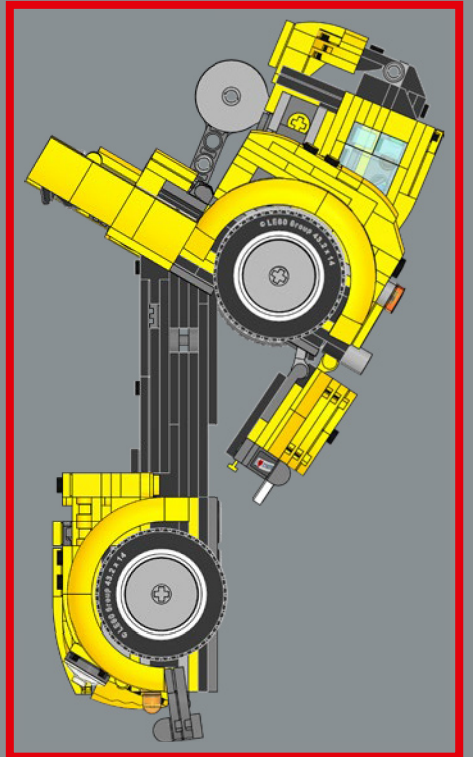
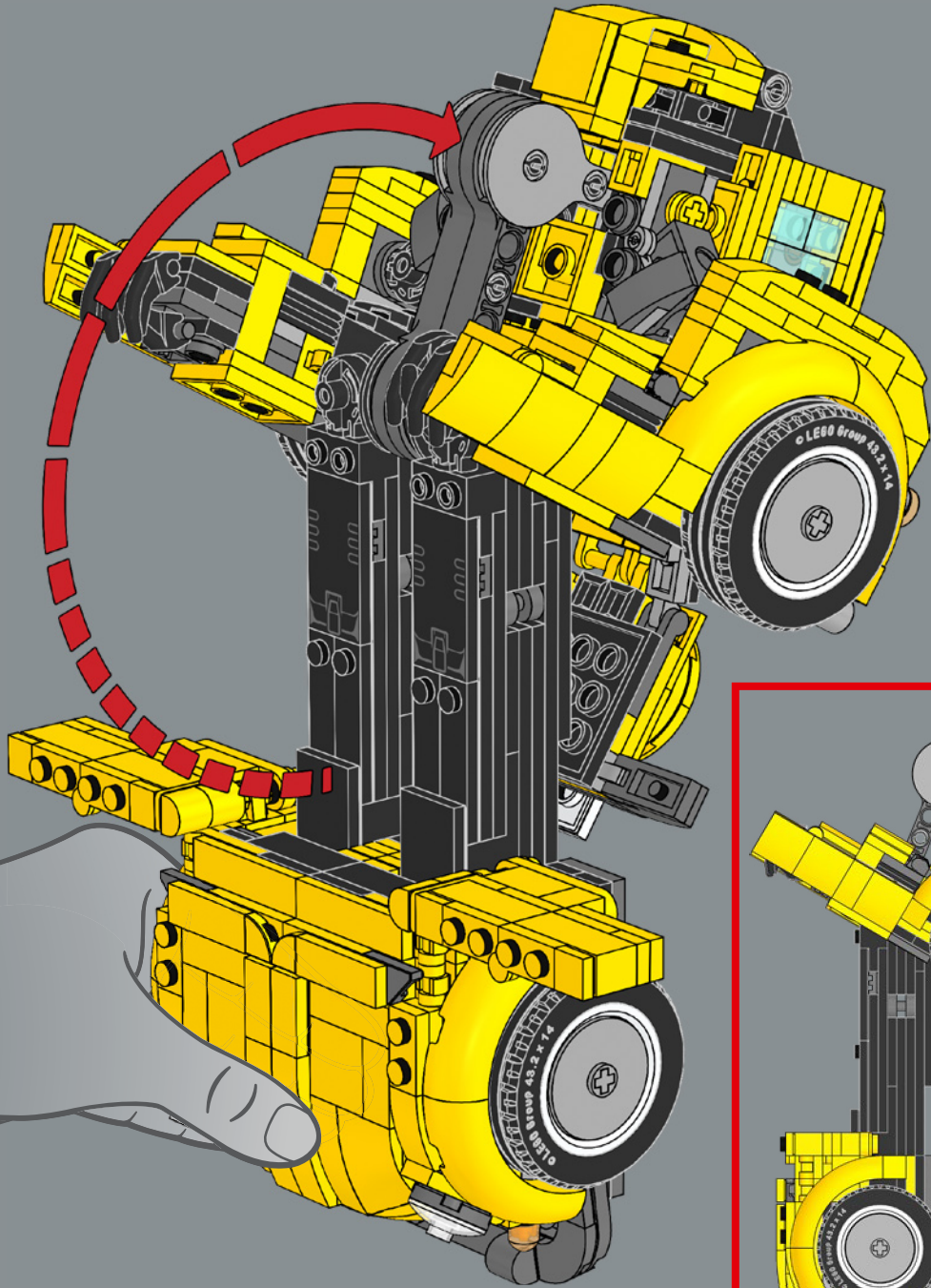




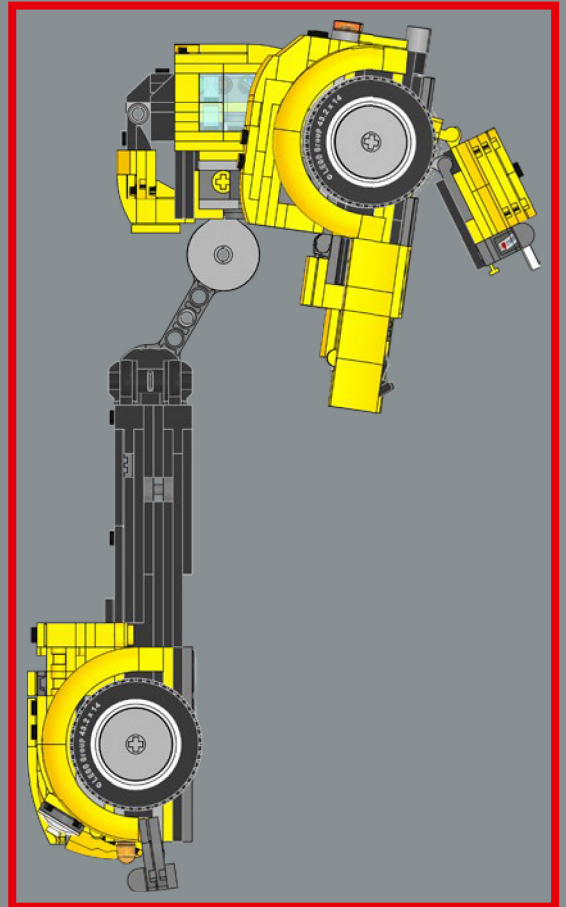
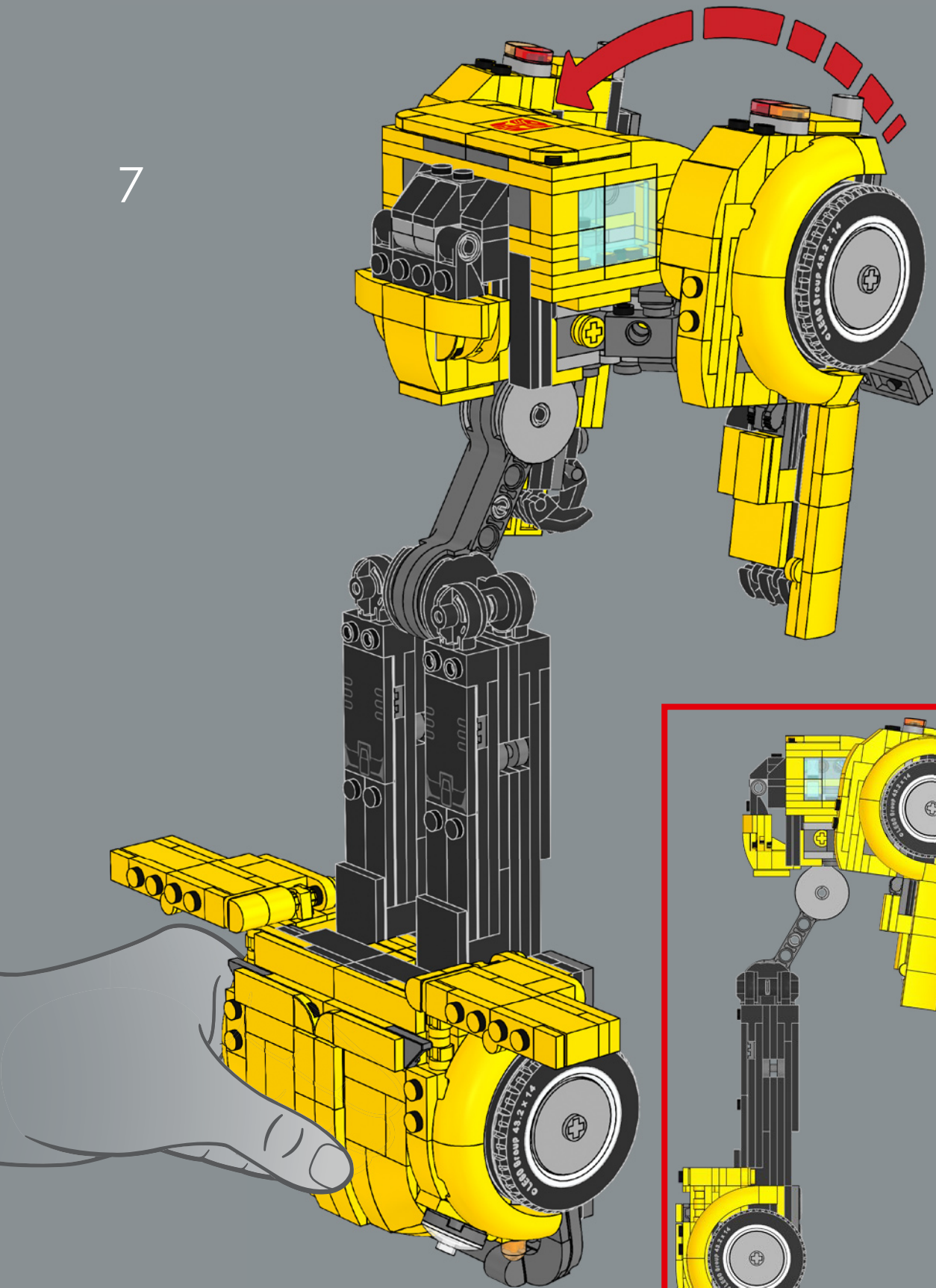
5



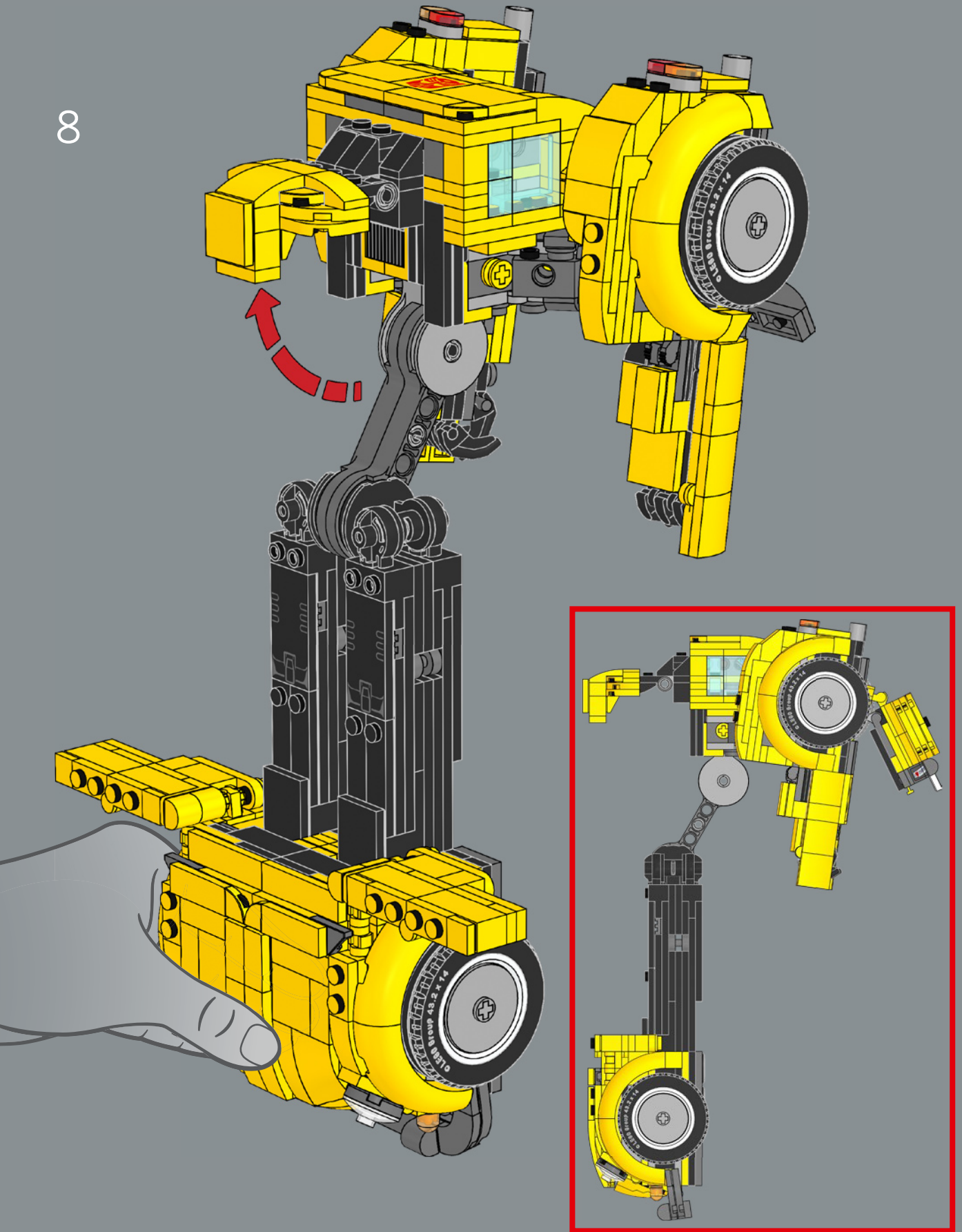
6



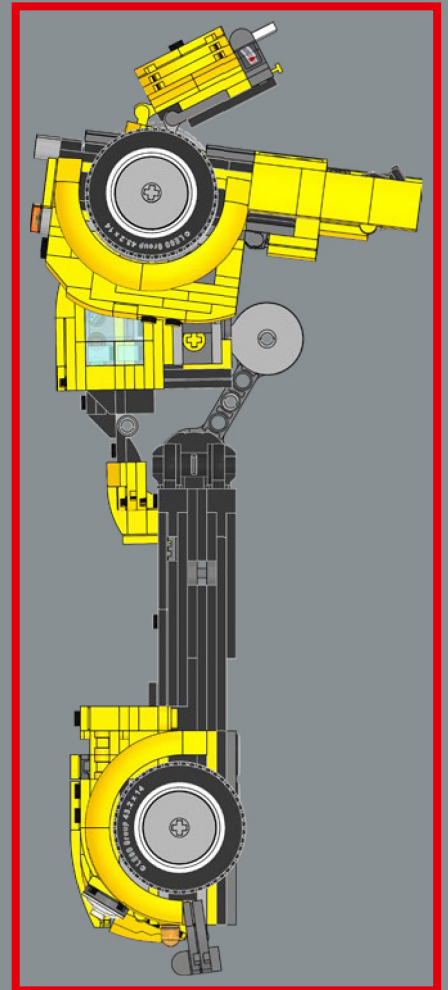
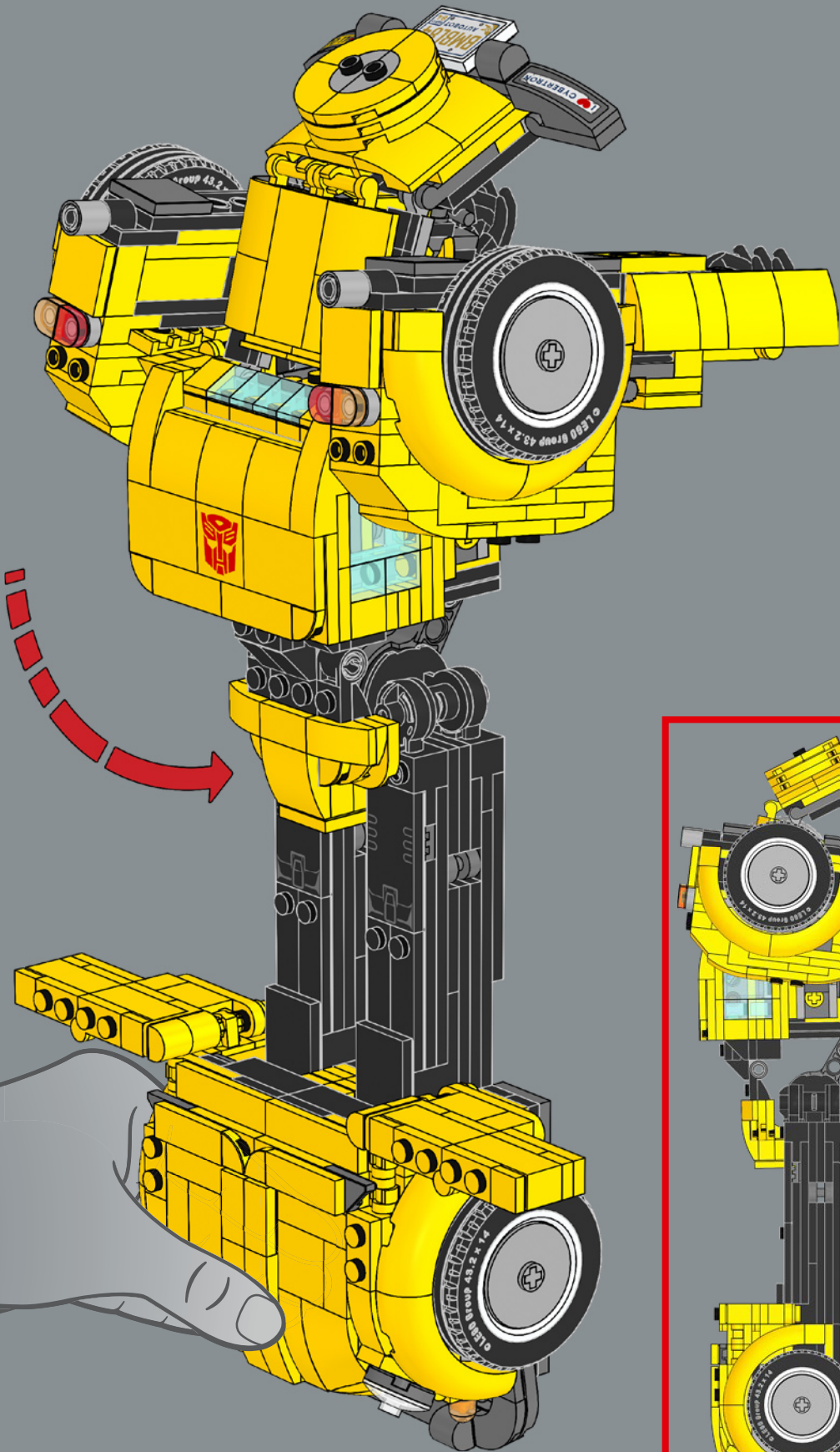
7



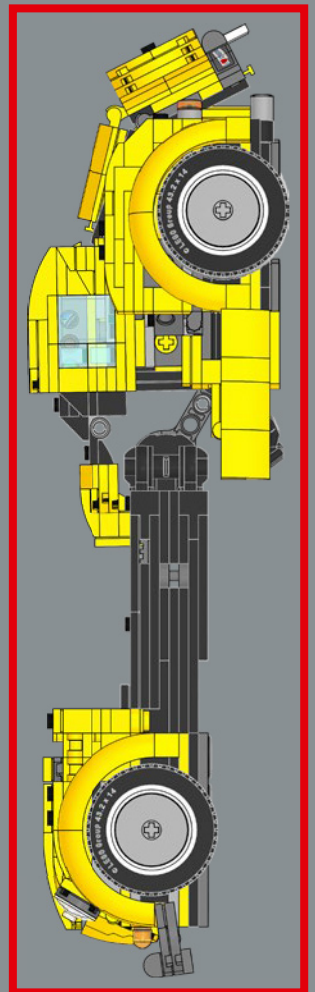
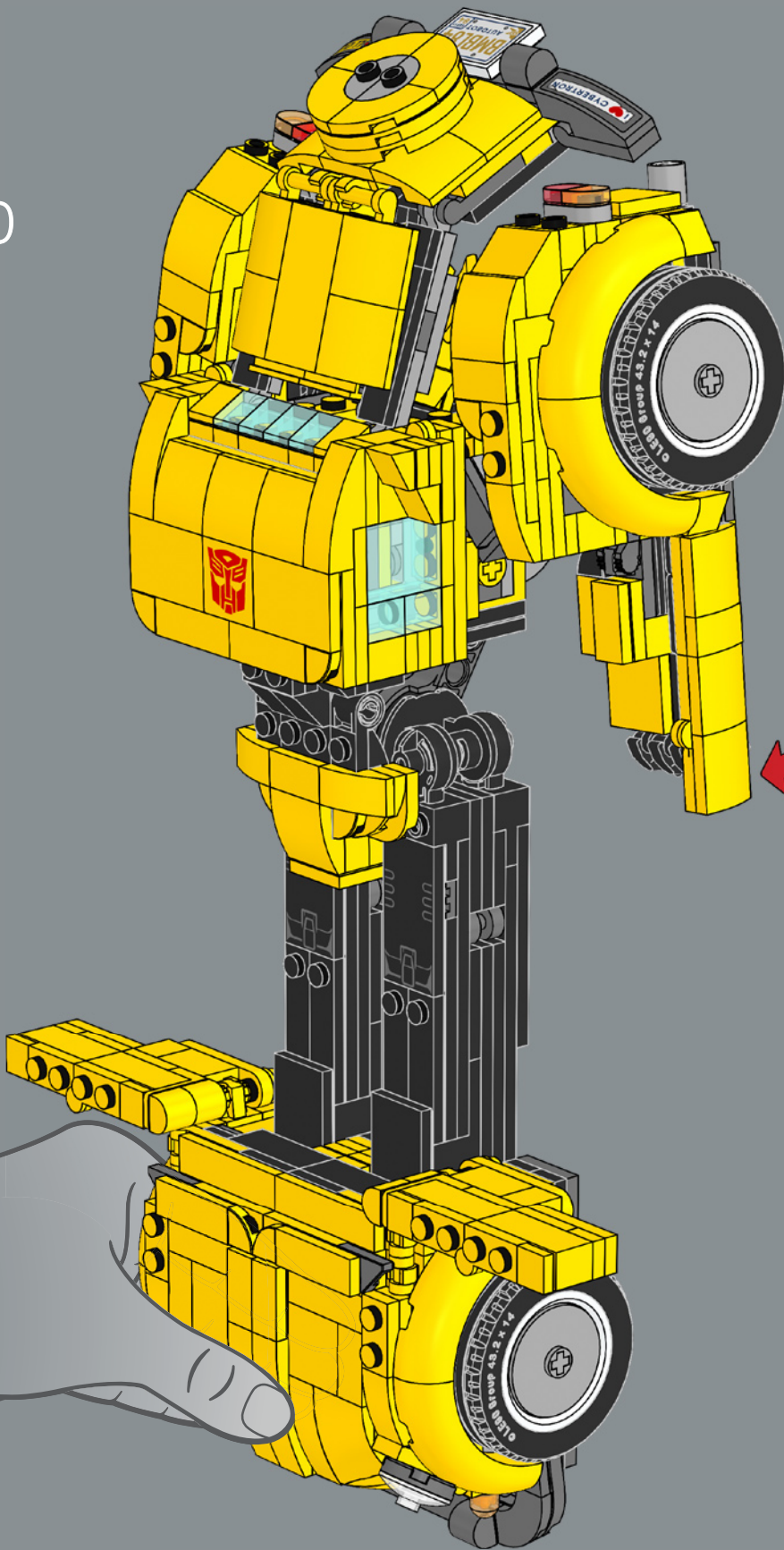
8



9

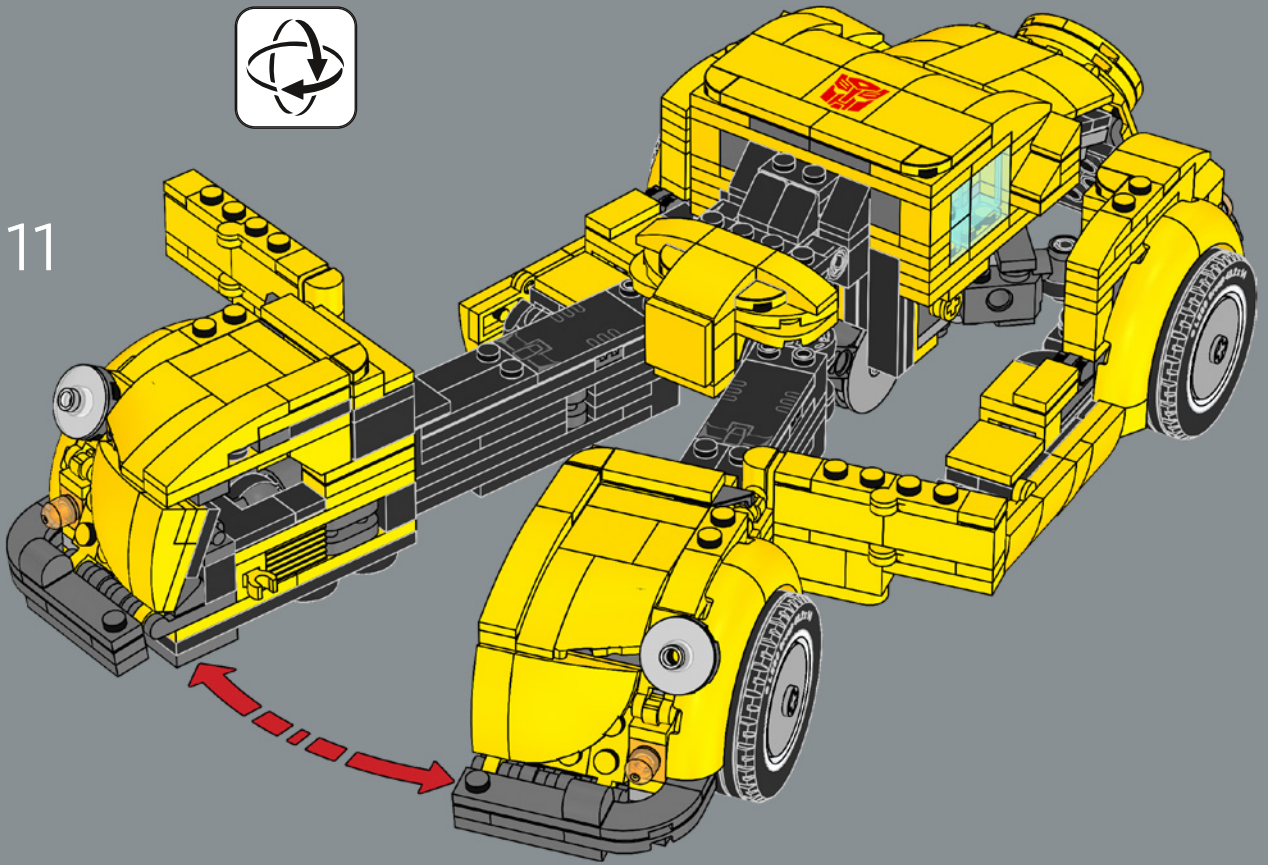


10

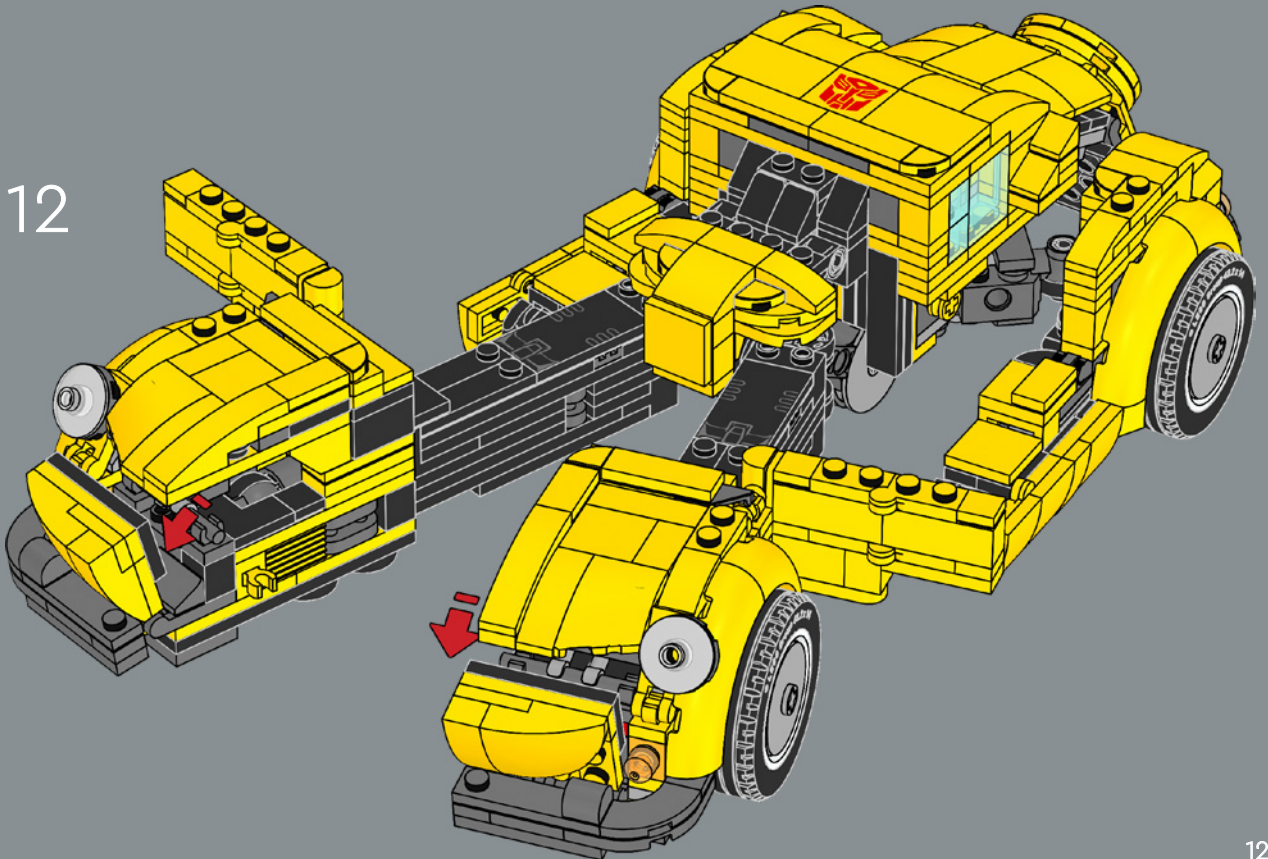




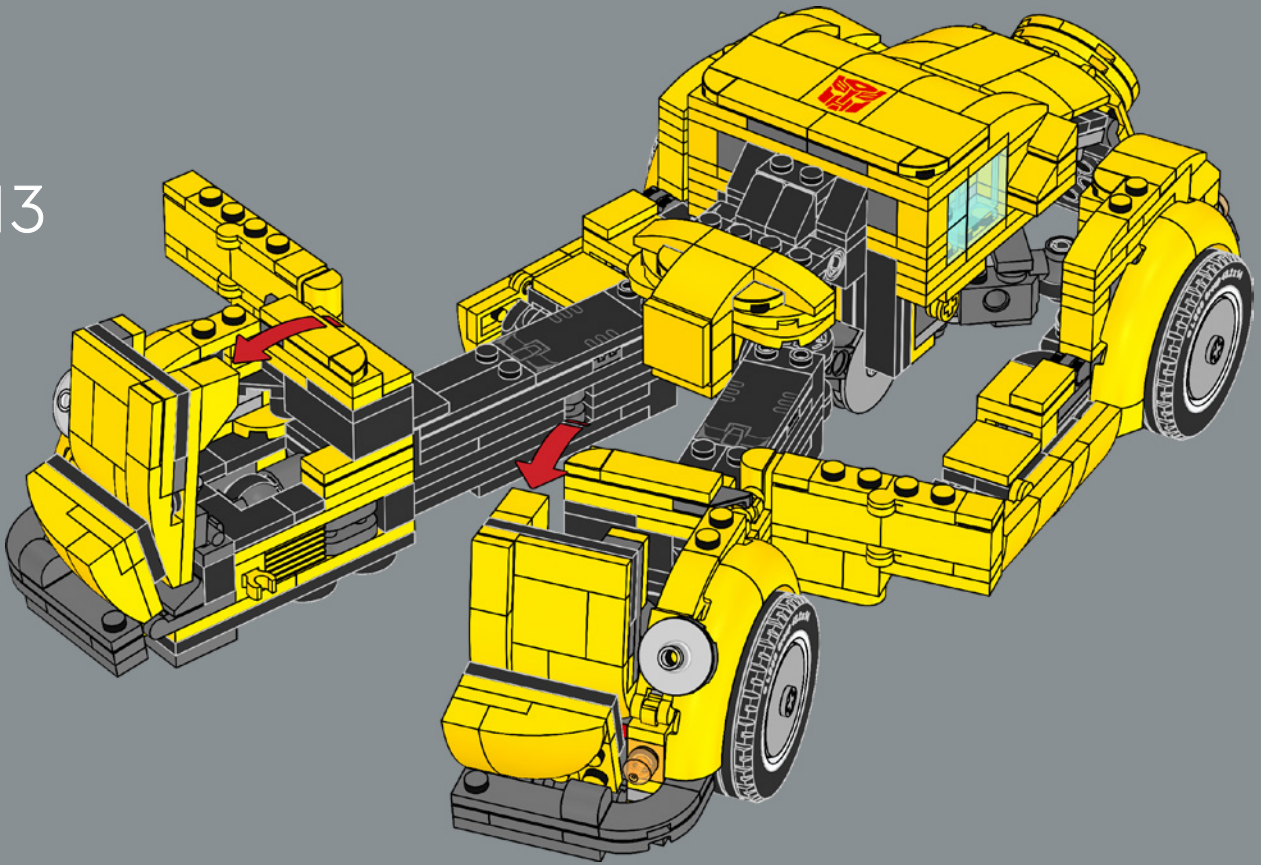
11



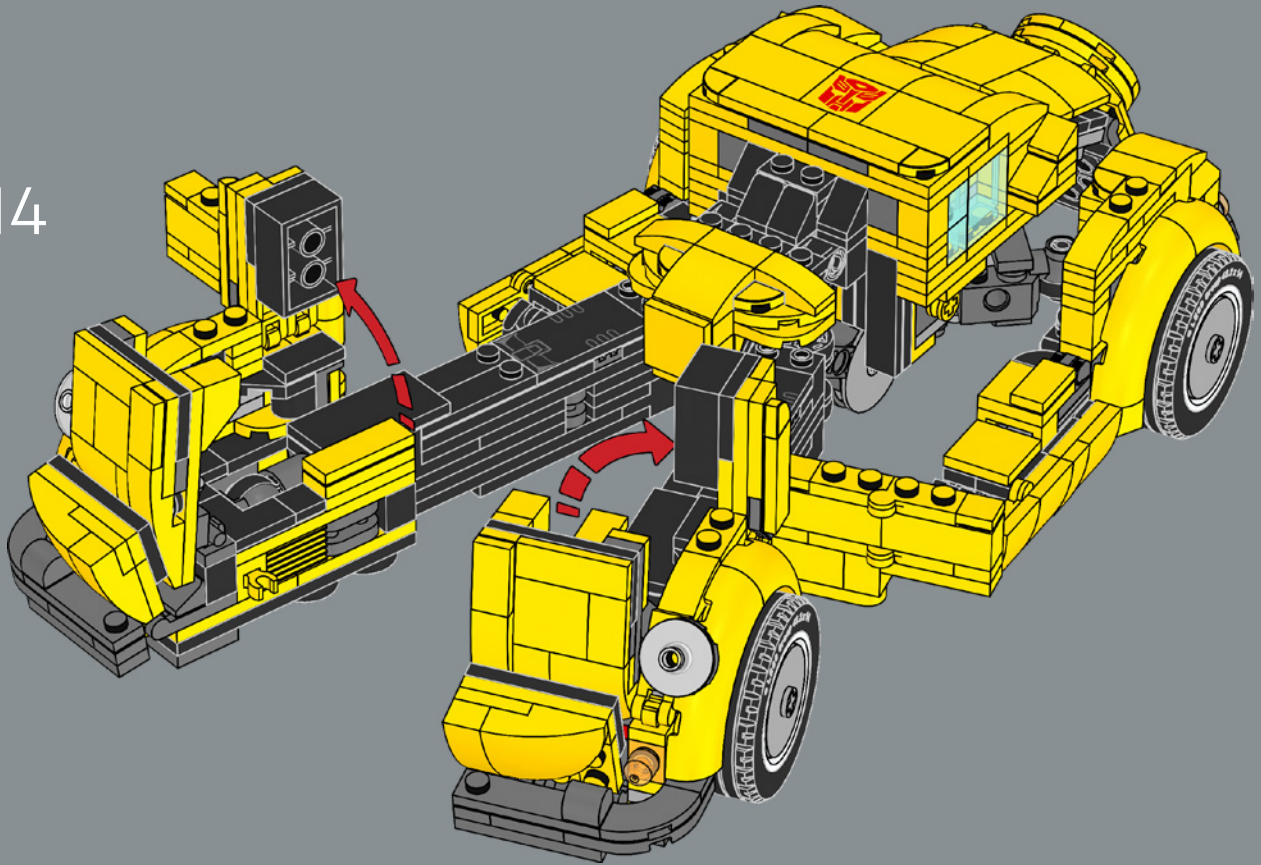
12



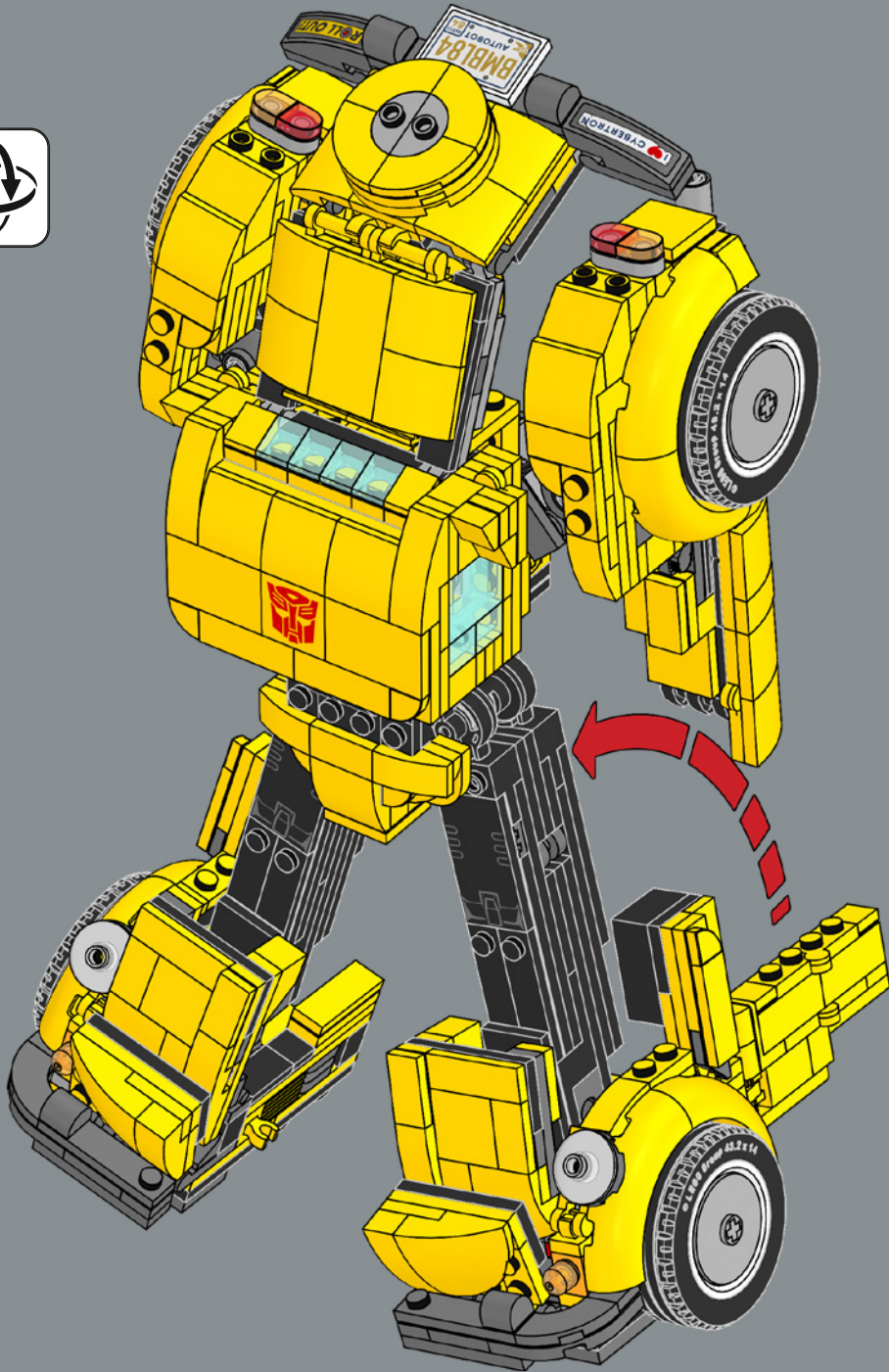
13

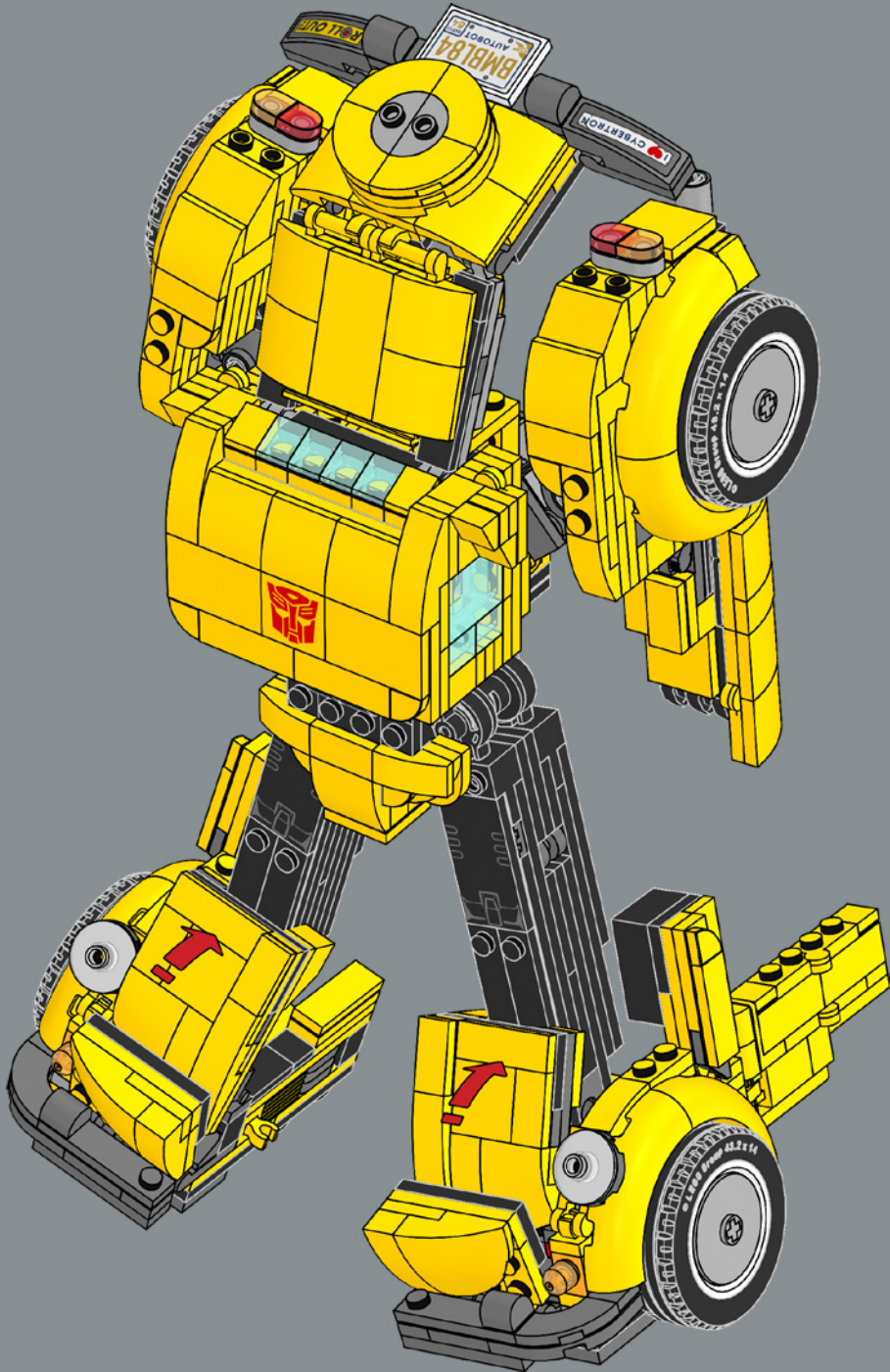


14

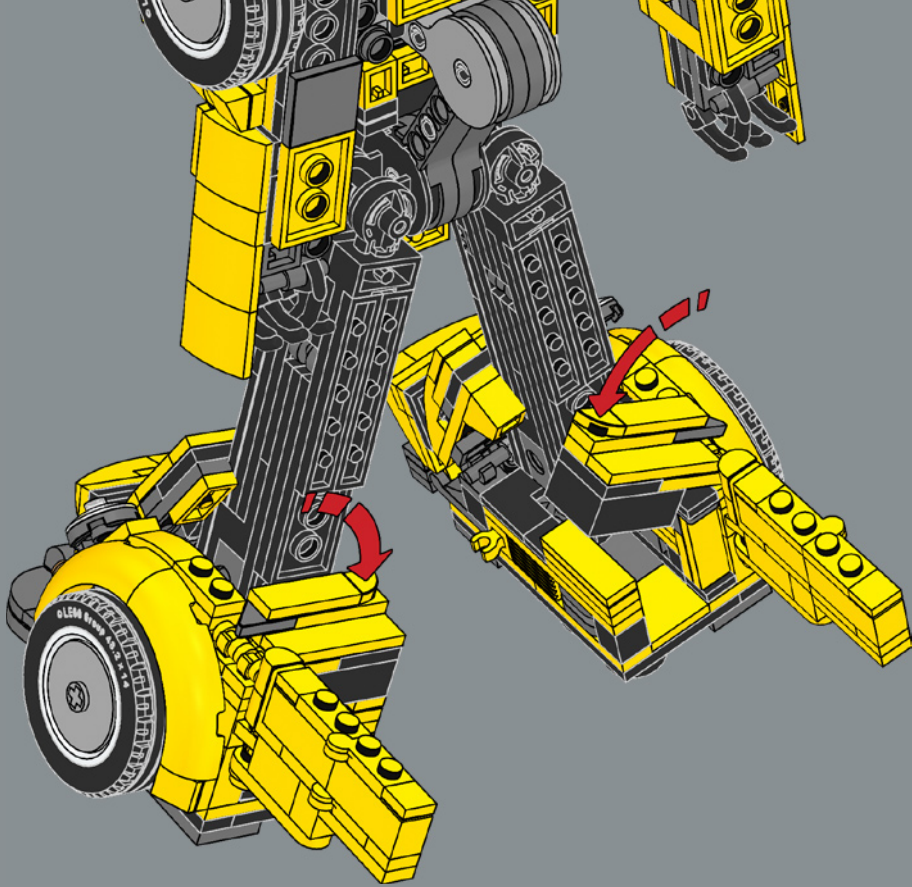


15

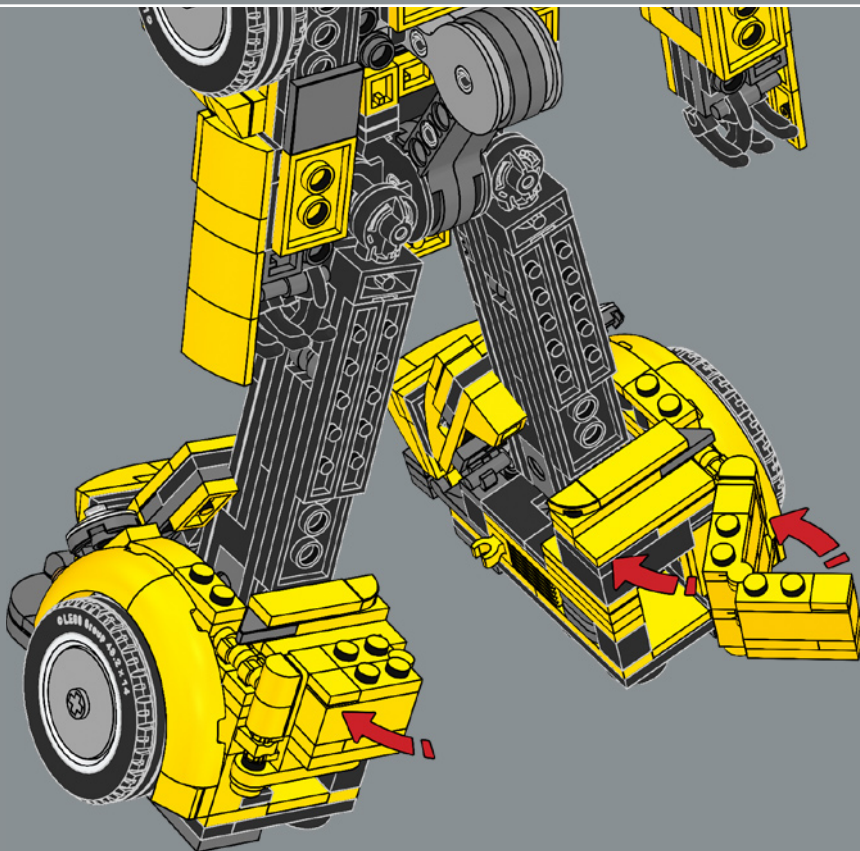




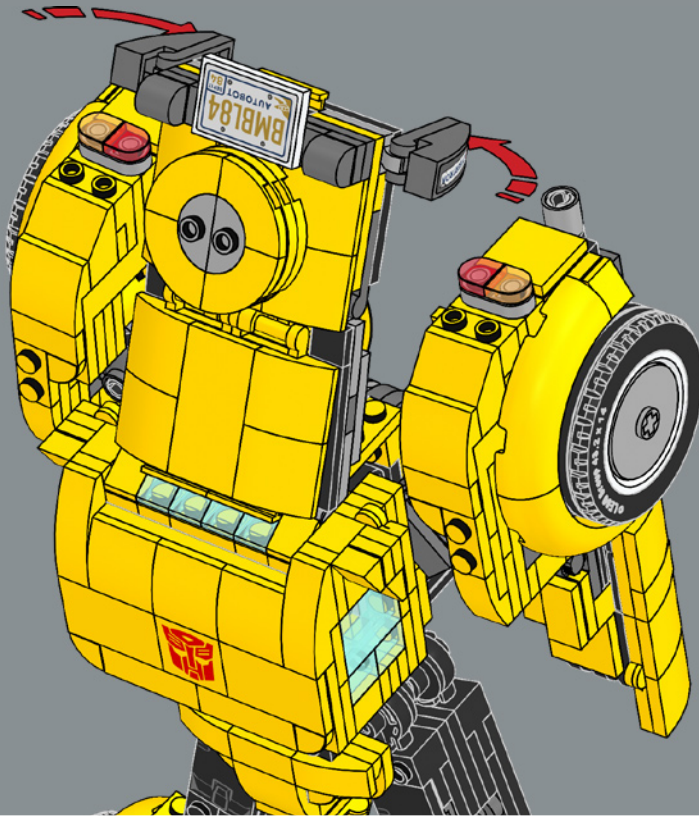
17



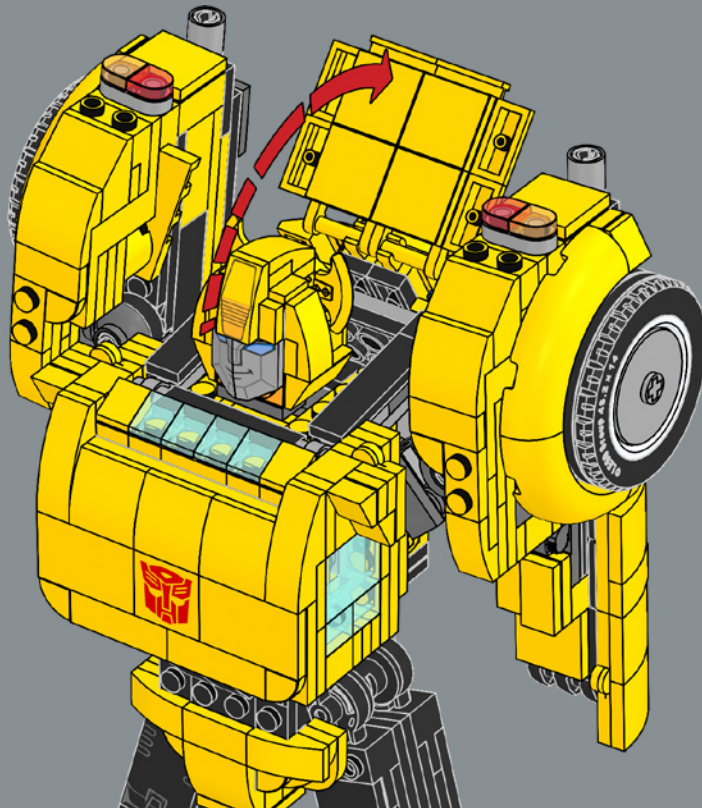
18



19

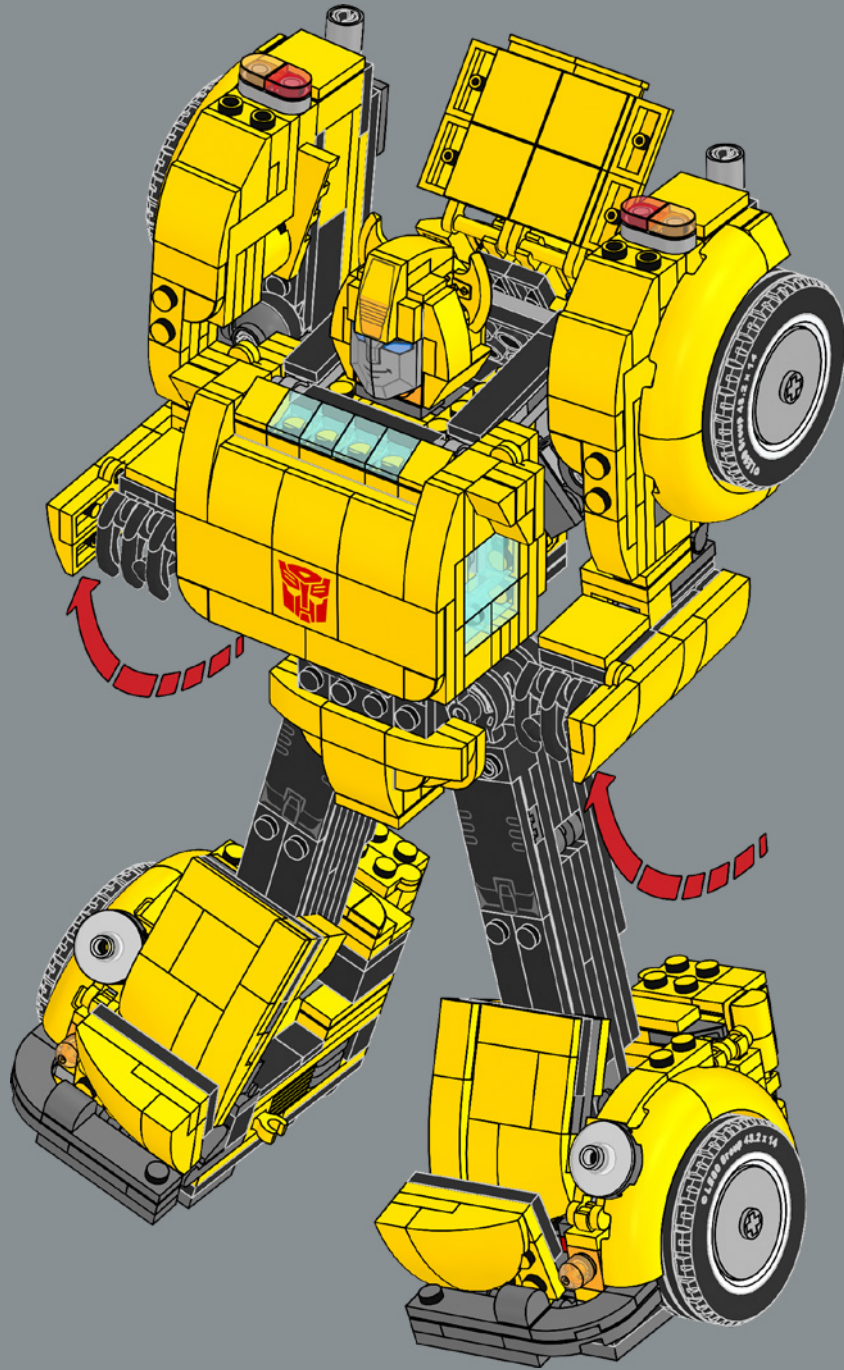


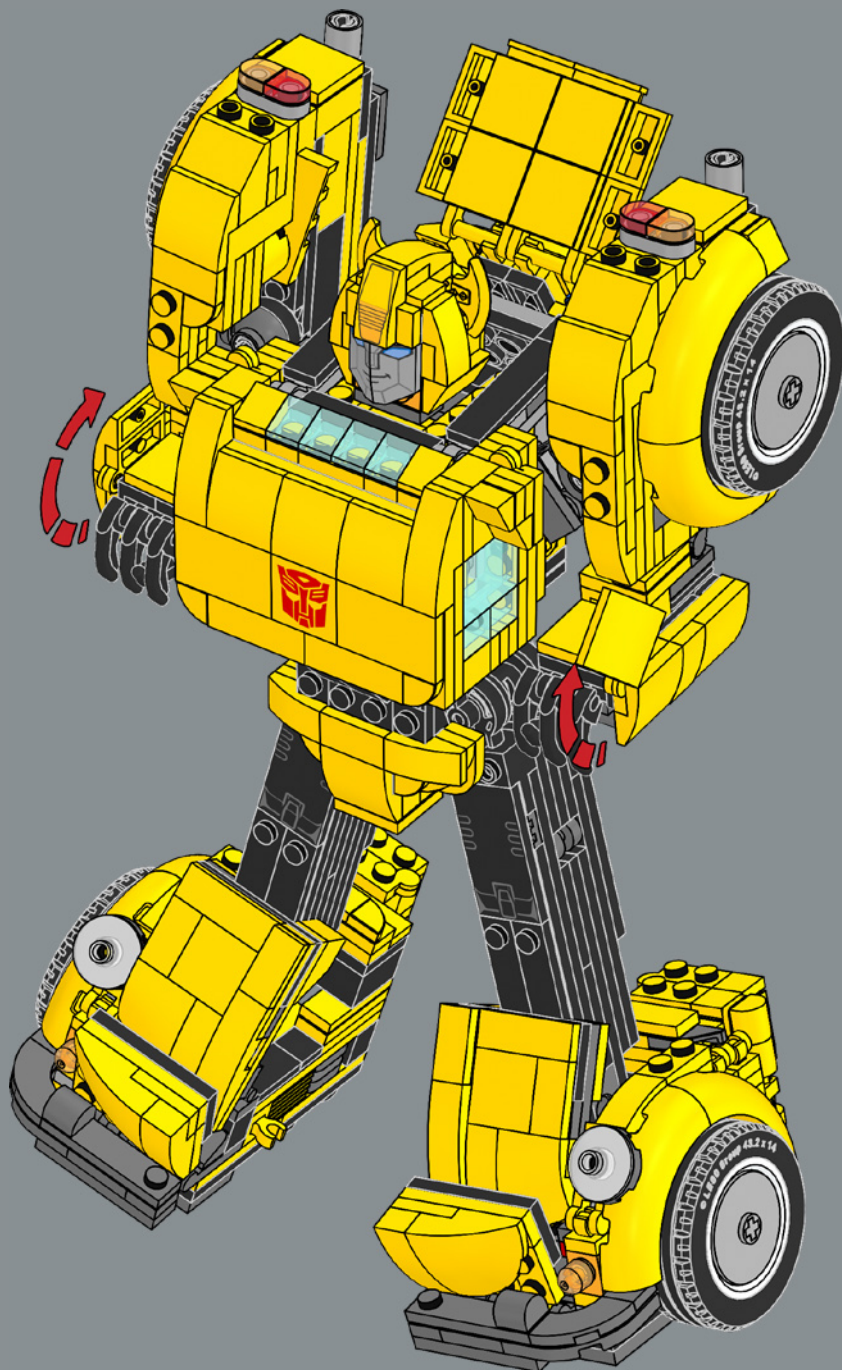
20



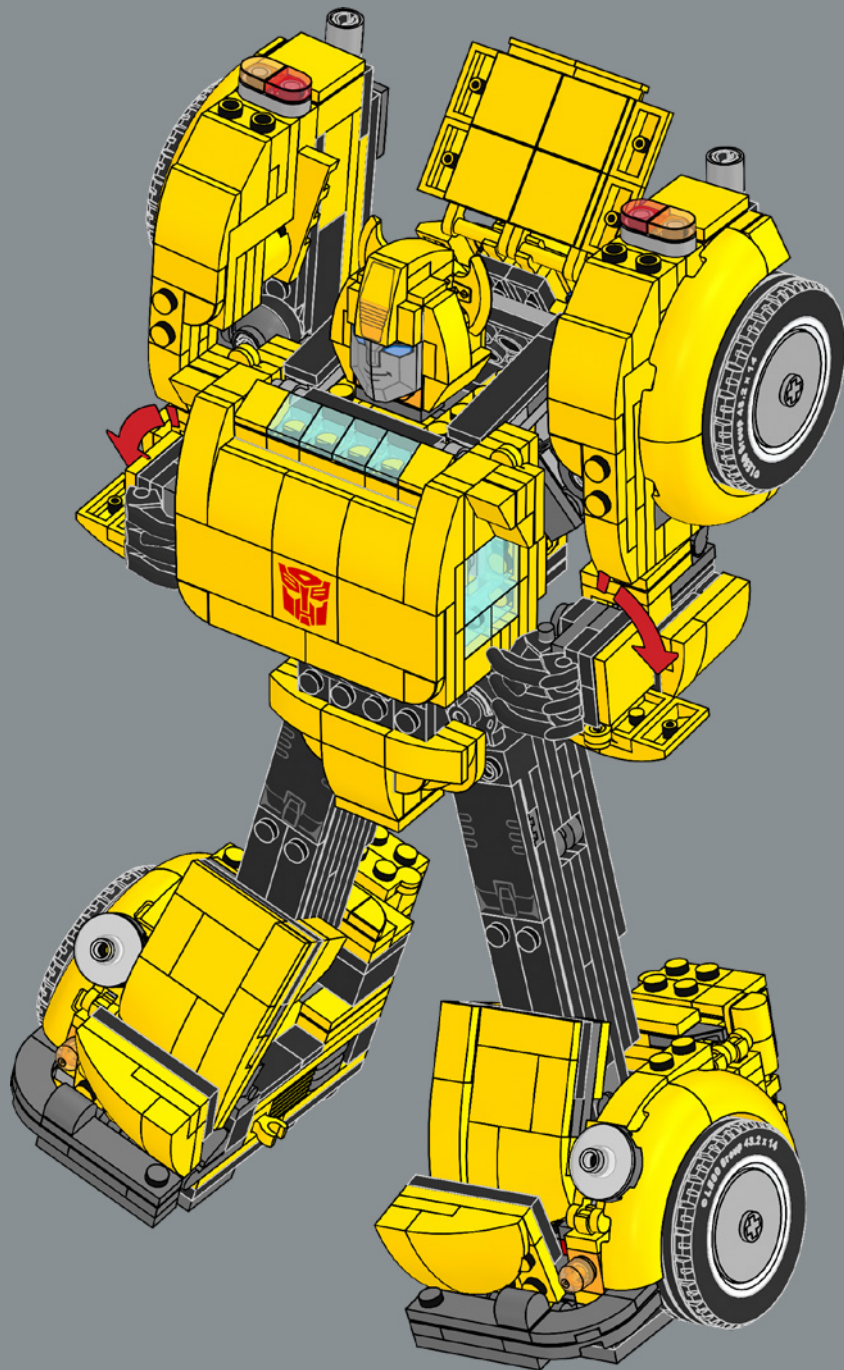
On the forehead is a new printed yellow bow made for this Bumblebee set. The face is newly decorated for this set and uses the same element created for the Optimus Prime model.

21



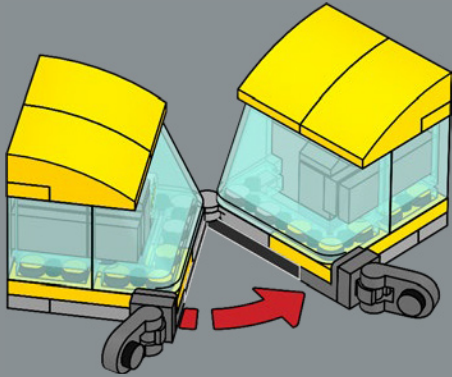


23

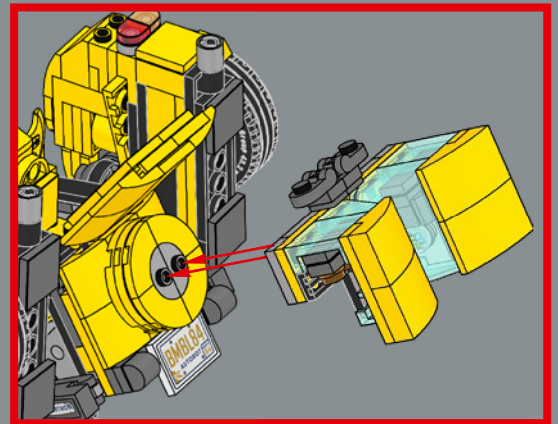
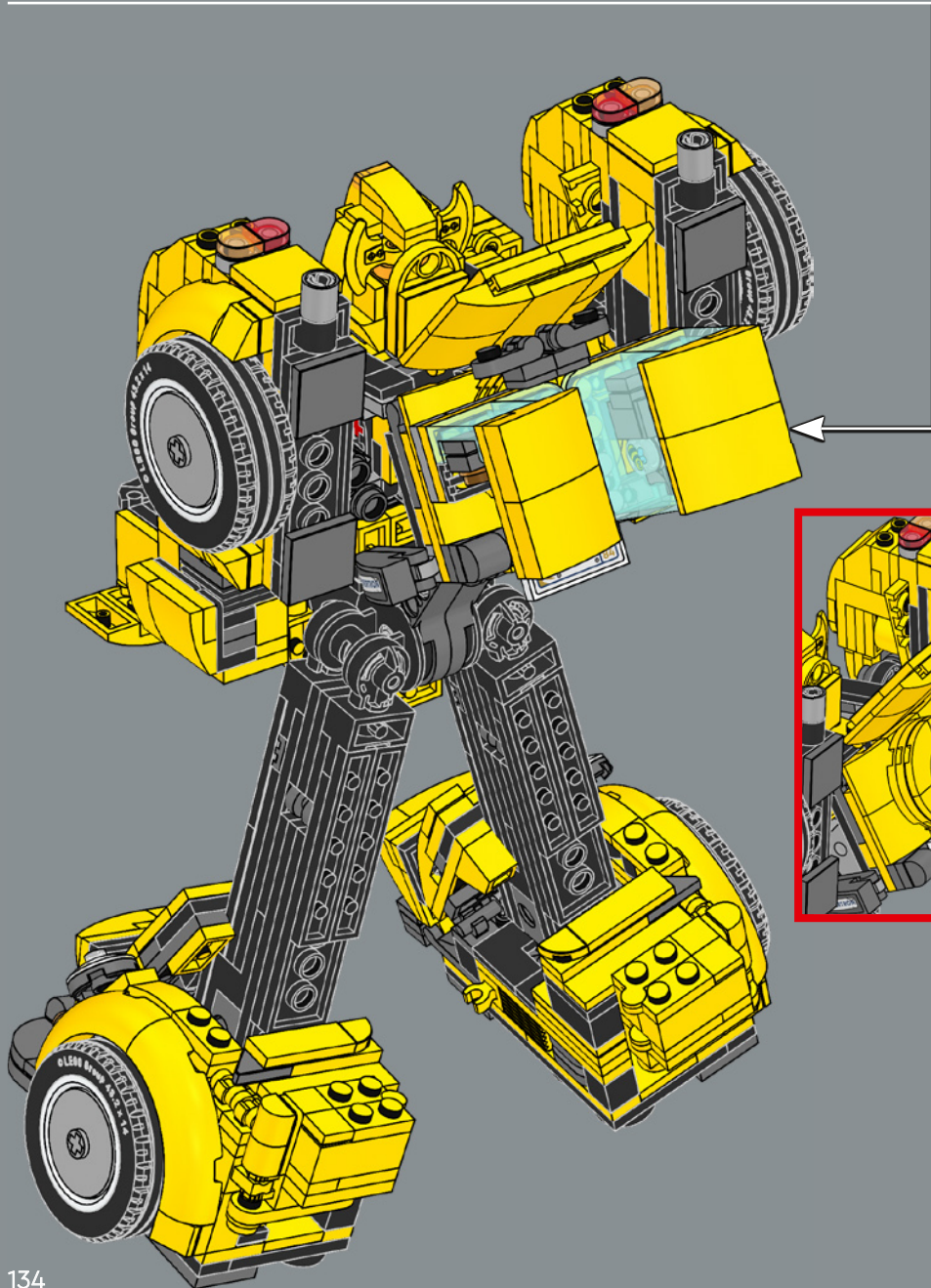
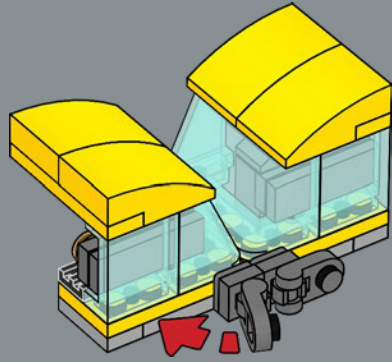


24

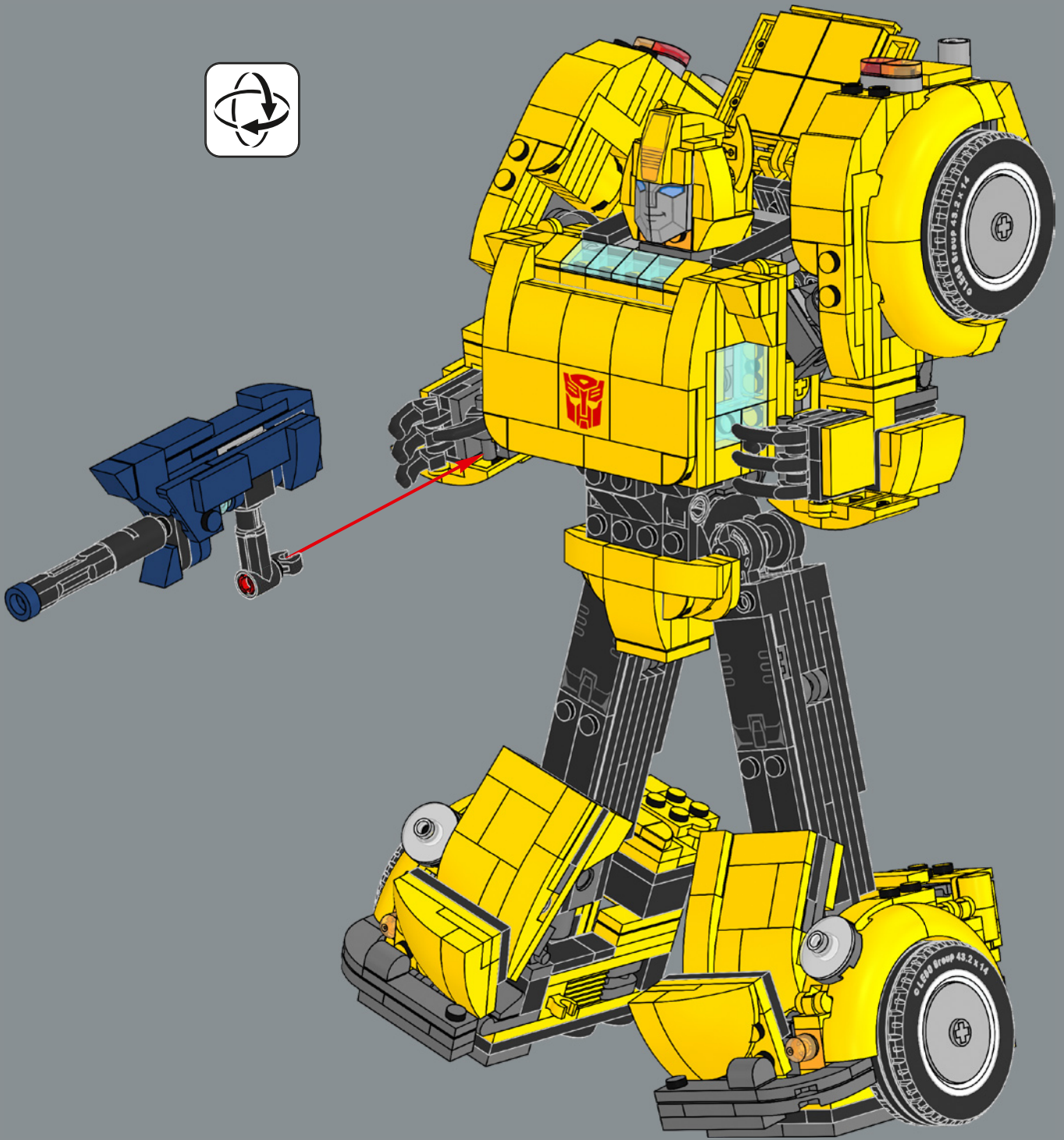
1

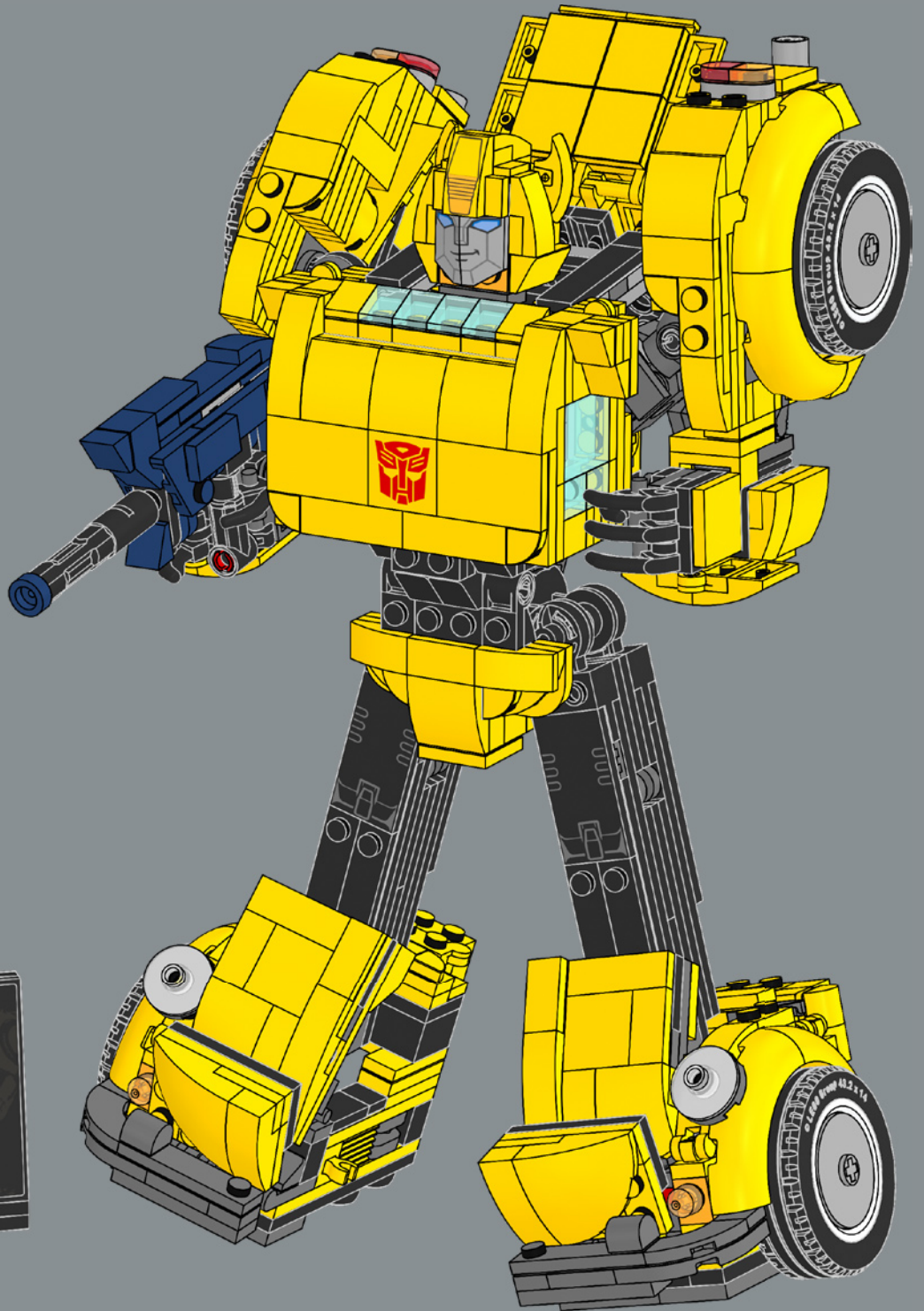


2



The windscreen becomes a jetpack that looks a little like bee wings.






BUMBLEBEE
 FUNCTION: SCOUT
 "The least likely can be the most dangerous"
 STRENGTH: 2 RANK: 7
 INTELLIGENCE: 8 COURAGE: 10
 SPEED: 4 FIREPOWER: 1
 ENDURANCE: 7 SKILL: 7



- 4x 6253230
- 2x 6168633
- 2x 6448793
- 6x 6344022
- 2x 6247784
- 10x 4210633
- 2x 6253682
- 4x 4211398
- 2x 6183784
- 2x 4504378
- 4x 6013082
- 4x 6390673
- 1x 6254100
- 2x 4211614
- 1x 6362975
- 2x 4211044
- 4x 4210635
- 2x 6388119
- 1x 6254100
- 3x 6043656
- 2x 6510058
- 6x 4210719
- 2x 6267047
- 1x 6429553
- 2x 6227897
- 4x 6333129
- 12x 4521187
- 4x 4184108
- 1x 6227897
- 4x 6333129
- 2x 6388133
- 1x 4568787
- 4x 4504374
- 2x 6248890
- 2x 4210848
- 2x 4568734
- 2x 6115080
- 2x 6450823
- 6x 6319336
- 4x 6363108
- 6x 6225494
- 2x 4211133
- 1x 6224384
- 4x 6385183
- 1x 6510145
- 2x 4246896
- 4x 6457961
- 1x 6224385
- 2x 4515369
- 1x 6510131
- 1x 6324639
- 2x 6265306
- 4x 6236571
- 2x 4211429
- 1x 4210636
- 2x 6378143
- 2x 6279898
- 3x 6094143
- 14x 4211438
- 2x 4210631
- 2x 4211043
- 2x 6492115
- 4x 4528488
- 1x 6507868
- 4x 6178919
- 2x 6187008
- 2x 6506037
- 1x 6103405
- 1x 6507924
- 3x 6039479
- 2x 6278974
- 2x 4211065
- 3x 6256610
- 5x 6416524
- 2x 6092572
- 2x 6083620
- 1x 4211056
- 2x 6223719
- 2x 4211088
- 2x 6215212
- 2x 4213607
- 6x 6292415
- 2x 6187008
- 2x 4213607
- 1x 4211065
- 1x 6258604
- 1x 4528604
- 2x 6398662
- 8x 4211001
- 2x 6481579
- 2x 6135494
- 2x 6265693
- 2x 6257592
- 2x 4210997



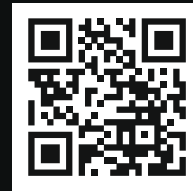
[LEGO.com/service](https://www.LEGO.com/service)

3

4



YOU COULD WIN



YOU COULD WIN

Your feedback will help shape the future development of this product series.

Visit:

DU KÖNNTEST GEWINNEN

Dein Feedback trägt zur Weiterentwicklung dieser Produktreihe bei.

Geh auf:

VOUS POURRIEZ GAGNER

Vos commentaires nous aideront à concevoir les futurs produits de cette gamme.

Visitez :

POTRESTI VINCERE TU

La tua opinione ci aiuterà a migliorare la creazione futura di questa linea di prodotti.

Visita:

PUEDES GANAR

Tu opinión contribuirá al futuro de esta serie de productos.

Visita:

轻松获奖

您的反馈将有助于我们在今后改进本产品系列。

请访问:

LEGO.com/productfeedback

You also have the chance to win a LEGO® set.

Terms and conditions apply.*

Außerdem hast du die Chance, ein LEGO® Set zu gewinnen.

Es gelten die Teilnahmebedingungen.*

Vous pourriez également gagner un ensemble LEGO®.

Des conditions s'appliquent.*

Hai anche la possibilità di vincere un set LEGO®.

Termini e condizioni sono applicabili.*

También tienes la oportunidad de ganar un set LEGO®.

Aplican términos y condiciones.*

您还有机会赢取乐高®套装。

条款和条件适用。*

*LEGO.com/productfeedback-terms



LEGO and the LEGO logo are trademarks of the LEGO Group. ©2024 The LEGO Group. 6525193
HASBRO and TRANSFORMERS and all related trademarks, characters, logos, names and storylines are owned by Hasbro, Inc. ©2024 Hasbro.
©TOMY「トランスフォーマー」「TRANSFORMERS」は株式会社タカラトミーの登録商標です。