



SPEED
CHAMPIONS

77249



LEGO® Builder



LEGO.com/sustainable-packaging

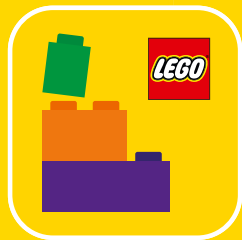


 ^{FR} **DONNEZ**
OU
RECYCLEZ

 OU  OU 

ASSOCIATION MAGASIN DÉCHÈTERIE

Adresses sur quefairedemesdechets.fr



Q LEGO® Builder

BUILDER



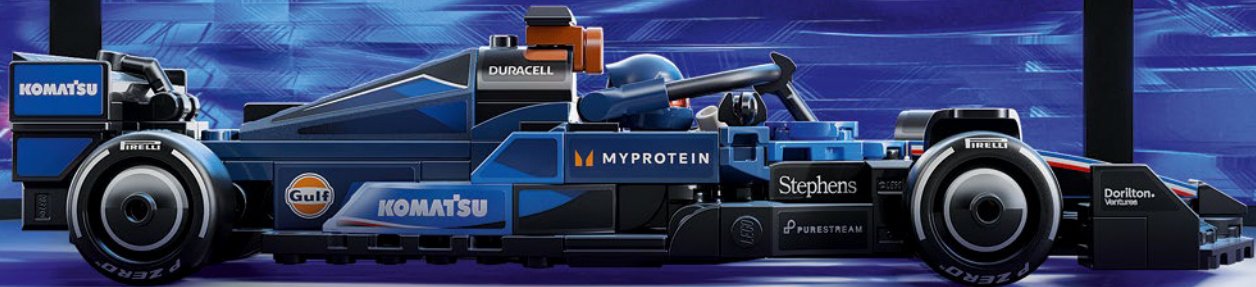
Apple and the Apple logo are trademarks of Apple Inc., registered in the U.S. and other countries and regions. App Store is a service mark of Apple Inc. Google Play and the Google Play logo are trademarks of Google LLC. Tencent and the Tencent logo are trademarks of Tencent Inc.

Q LEGO.com/devicecheck

EN Ask parents' permission before going online | DE Eltern um Erlaubnis bitten, bevor du online gehst | FR Demande l'autorisation d'un parent avant d'aller en ligne | IT Chiedi il permesso ai tuoi genitori prima di andare online | ES Pídeles permiso a tus papás antes de conectarte a Internet | PT Pede autorização aos pais antes de acederes online | ZH 上网前应先征得父母的同意 | PL Poproś rodziców o zgodę, zanim wejdiesz do Internetu | CS Než půjdeš na internet, požádej rodiče o svolení | SK Skôr než pôjdeš na internet, vypýtaj si povolenie od rodičov | HU Kérj szülői engedélyt, mielőtt online csatlakoznál! | RO Cere permisiunea părinților înainte de a te conecta online | BG Поискайте разрешение от родител, преди да влезете онлайн | LV Pirms došanās tiešsaistē palūdz atļauju vecākiem | ET Enne Interneti kasutamist küsi vanematelt luba | LT Prieš prisijungdami prie interneto, atsiklauskite tėvų



The LEGO Group founded: **1932**



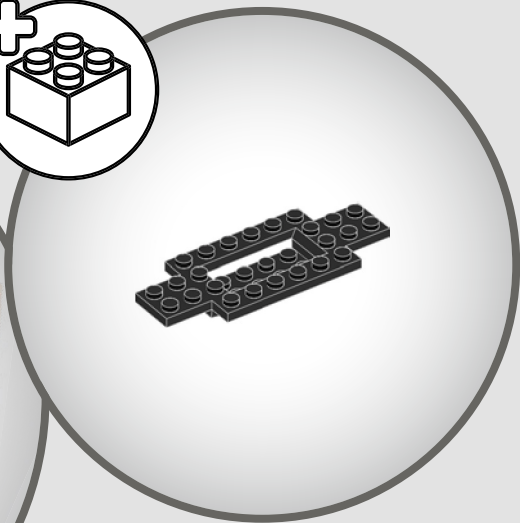
LEGO Group Gründung: 1932 | Année de création du groupe LEGO : 1932 | The LEGO Group fondato: 1932 | Fundación de The LEGO Group: 1932 | Fundação do Grupo LEGO: 1932 | 乐高集团创立时间: 1932 年 | Rok založenia Grupy LEGO: 1932 | Založení LEGO Group: 1932 | Založenie LEGO Group: 1932 | LEGO Csoport alapítása: 1932 | Anul constituirii LEGO Group: 1932 | Основане на групата LEGO: 1932 г. | LEGO Group dibināta: 1932. gadā | The LEGO Group asutati: 1932. aastal | LEGO grupė įsteigta: 1932 m.

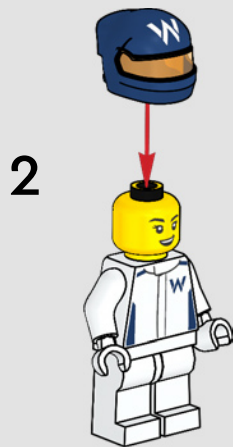
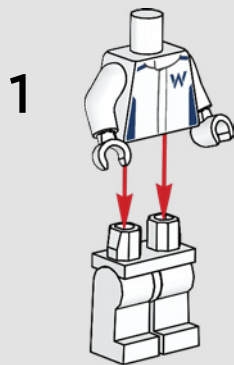
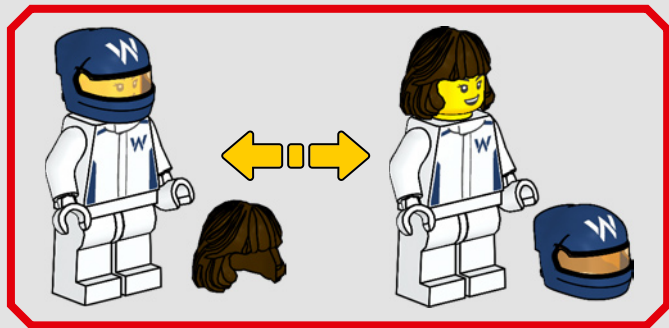
WILLIAMS RACING

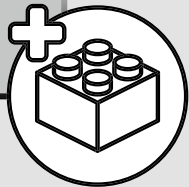
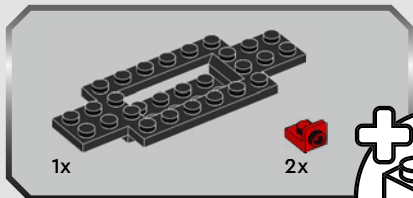
F1® team founded: 1977



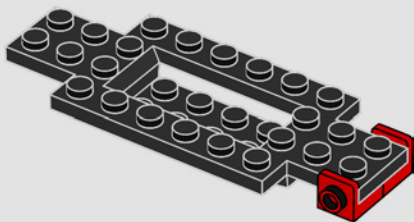
F1® Team Gründung: 1977 | Année de création de l'équipe de F1® : 1977 | Scuderia di F1® fondata: 1977 | Fundación del equipo de F1®: 1977 | Fundação da equipa de F1®: 1977 | F1® 车队成立时间: 1977 年 | Rok založenia zespótu F1®: 1977 | Založení týmu F1®: 1977 | Založenie tímu F1®: 1977 | F1®-es csapat alapítása: 1977 | Anul creării echipei de F1®: 1977 | Основаване на отбора F1®: 1977 г. | F1® komanda dibināta: 1977. gadā | F1® meeskond asutati: 1977 | F1® komanda įsteigta: 1977 m.





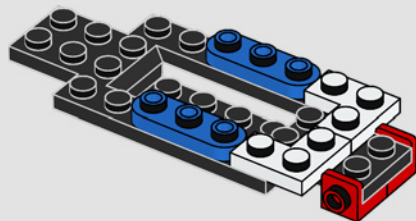


1

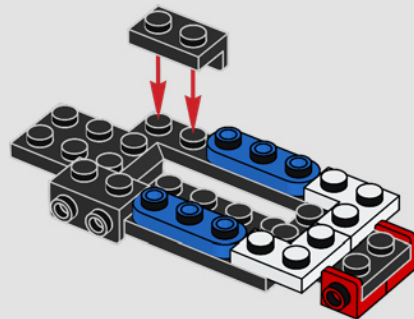


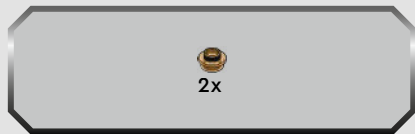


2

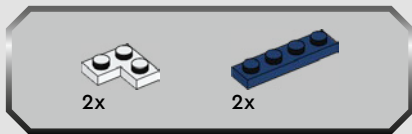
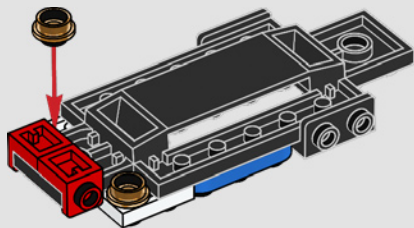


3

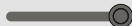
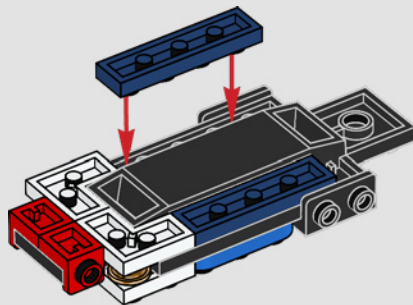


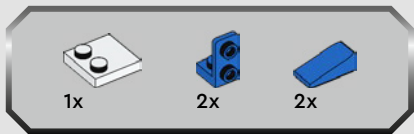


4

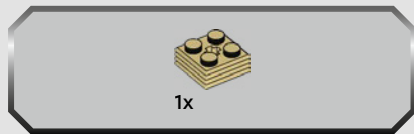
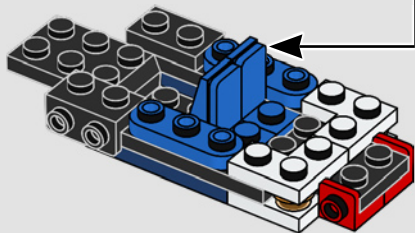
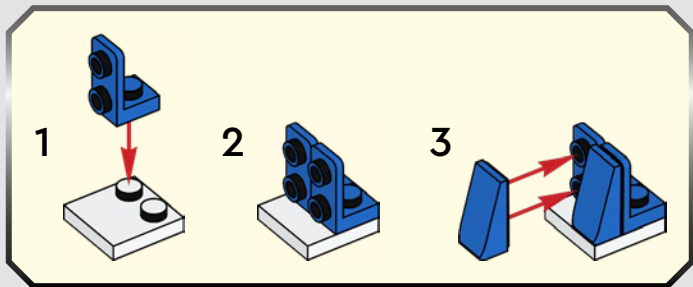


5

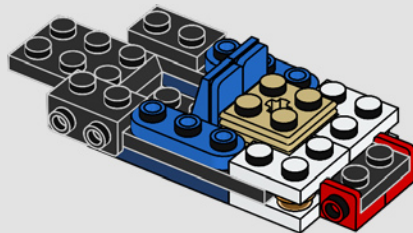


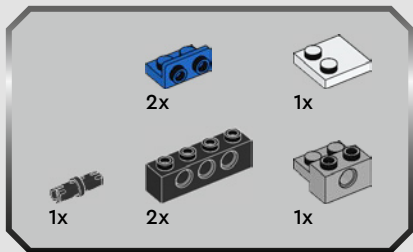


6

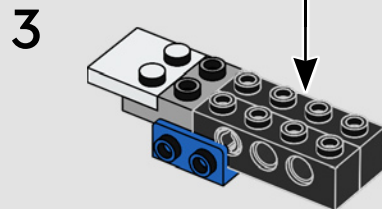
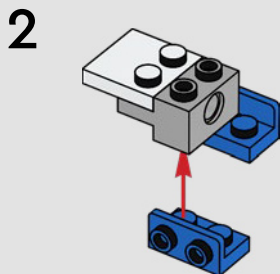
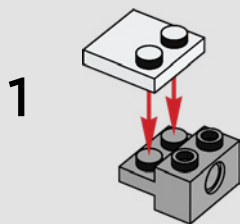
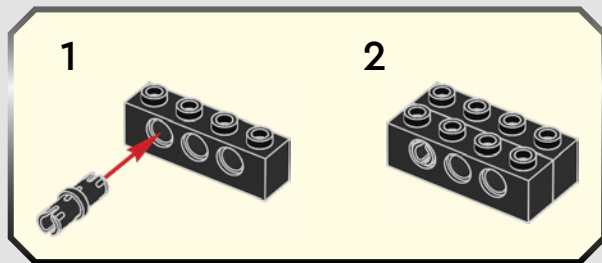


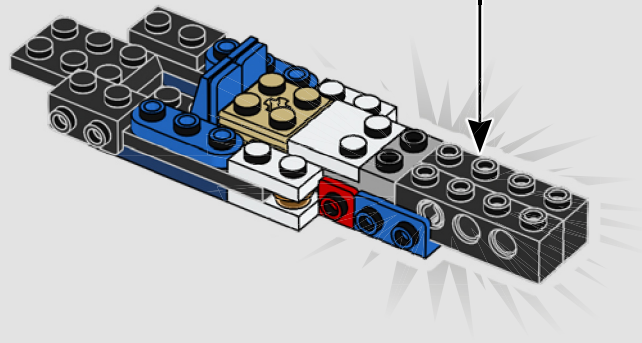
7

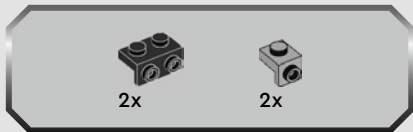




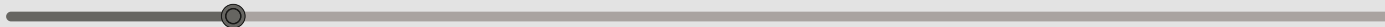
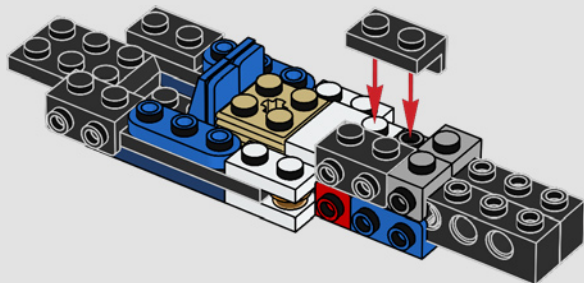
8





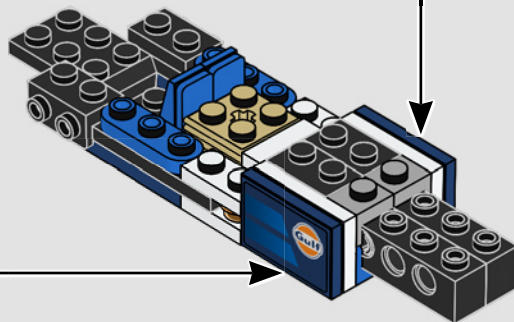
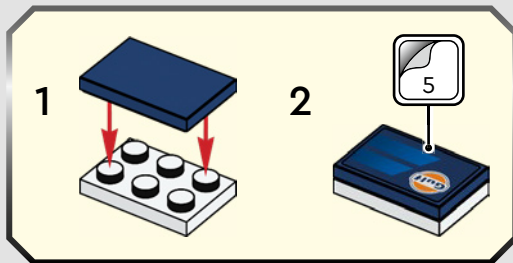
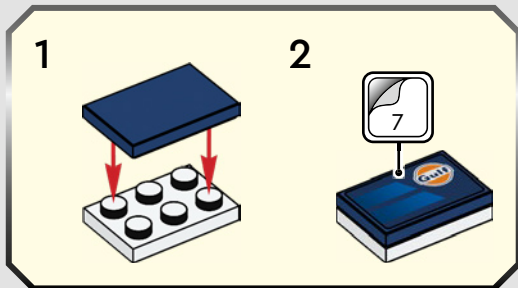


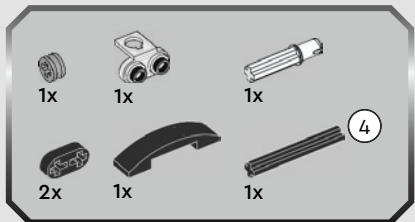
9





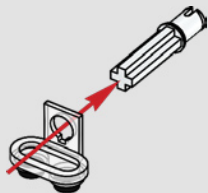
10





11

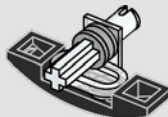
1



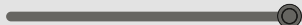
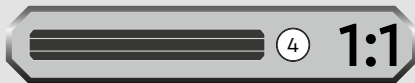
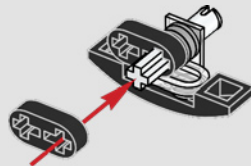
2



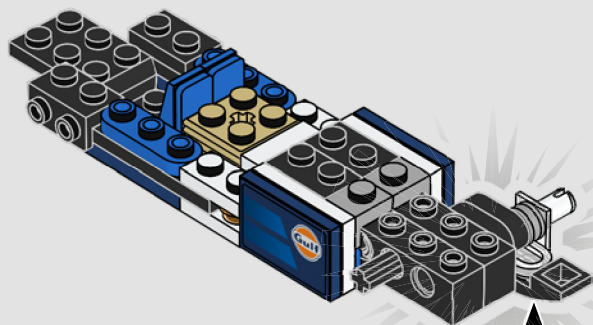
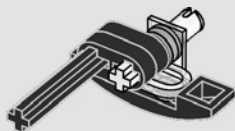
3



4

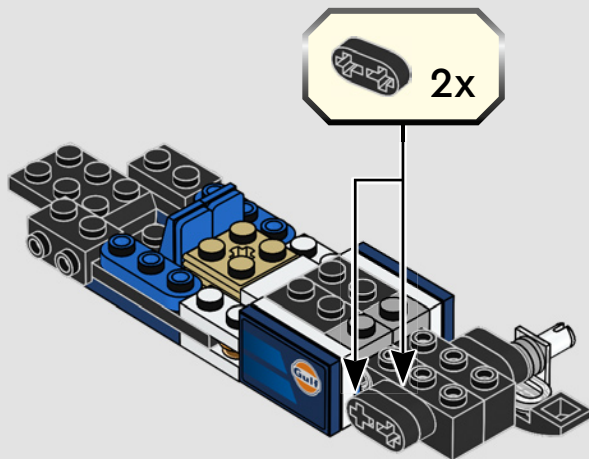


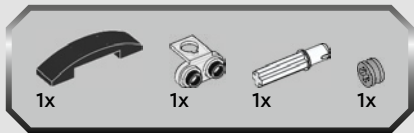
5



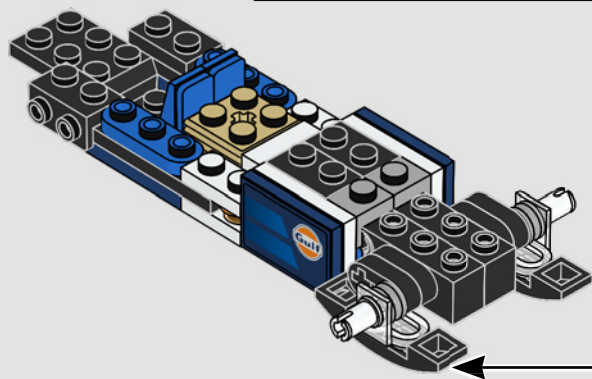
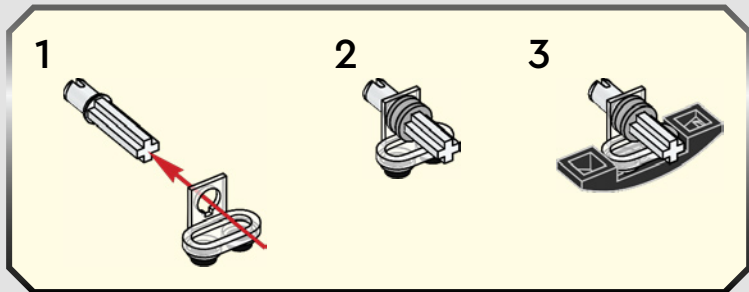


12



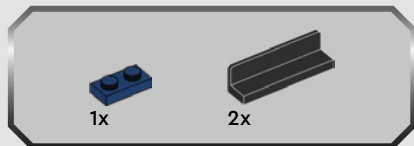
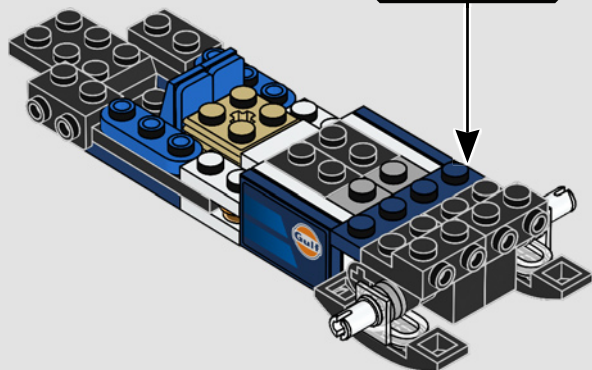
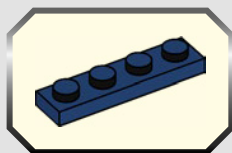


13

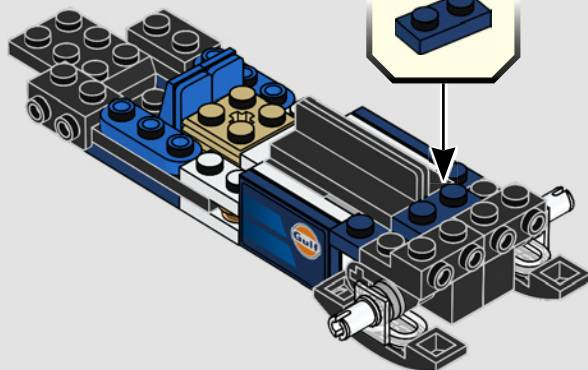
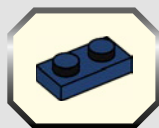


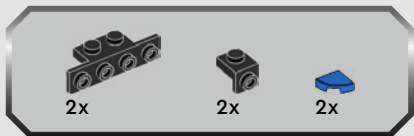


14

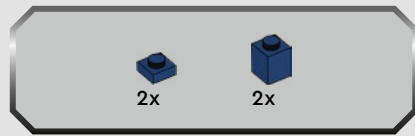
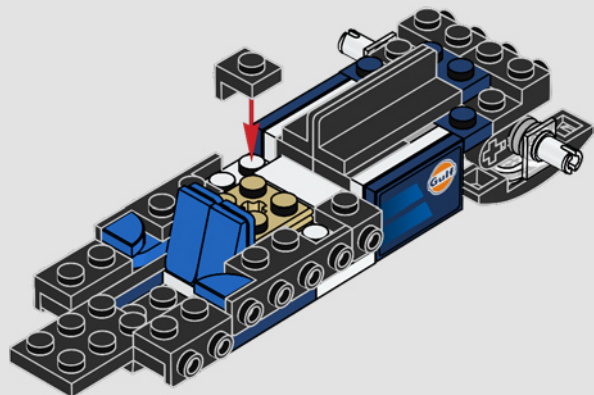


15

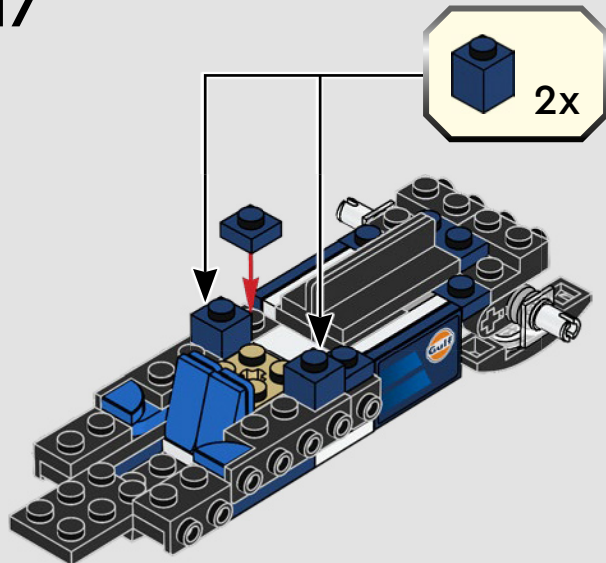


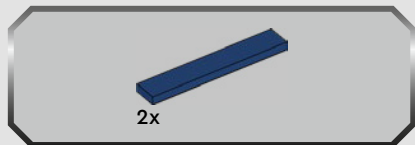


16

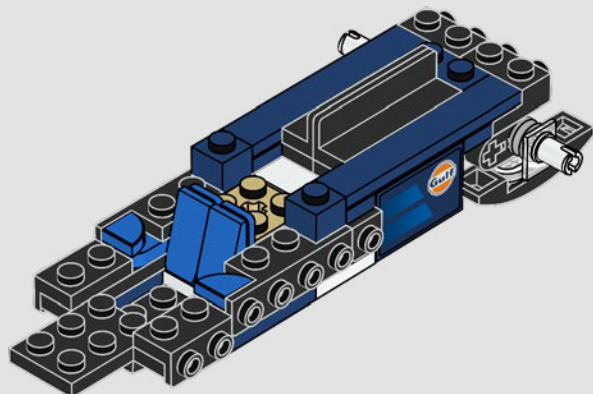


17

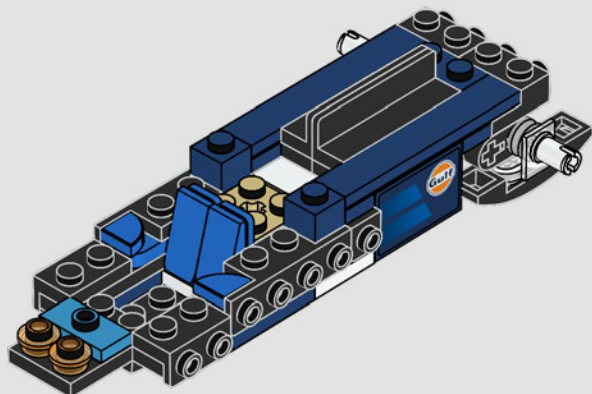




18

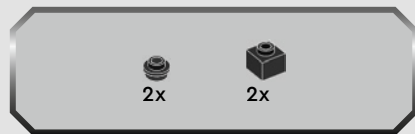
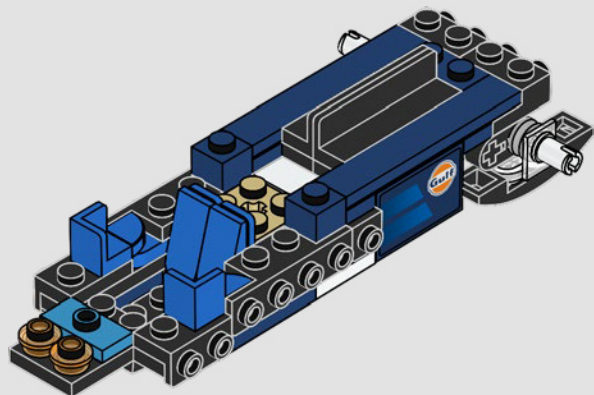


19

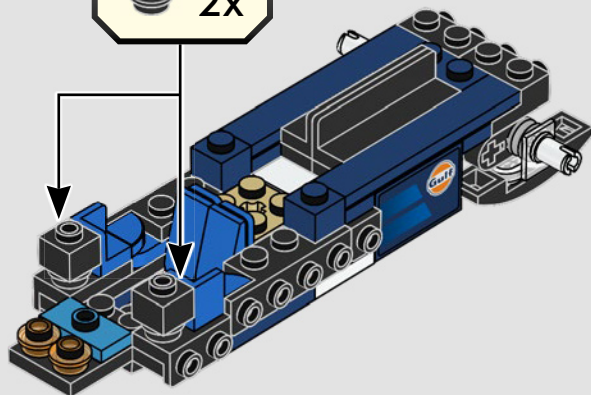
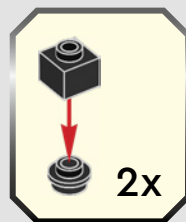




20



21



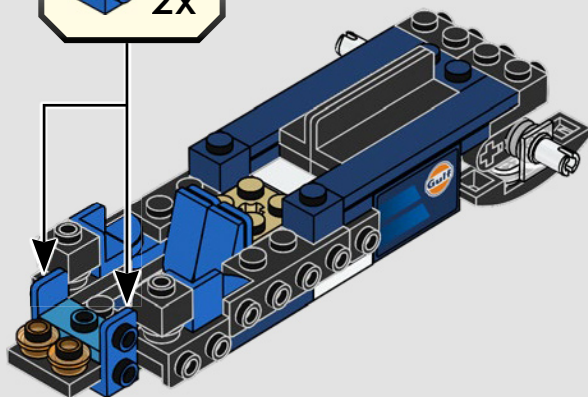


2x

22



2x



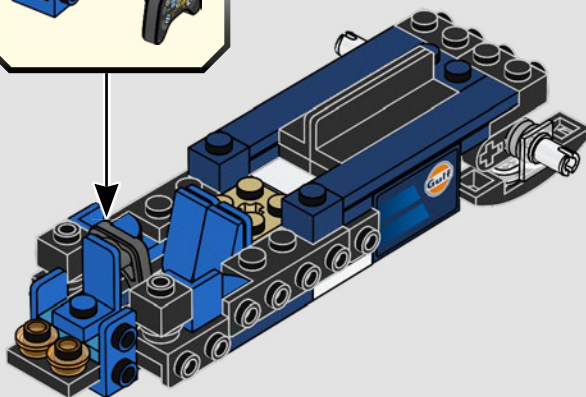
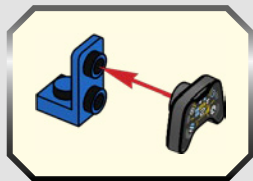


1x



1x

23



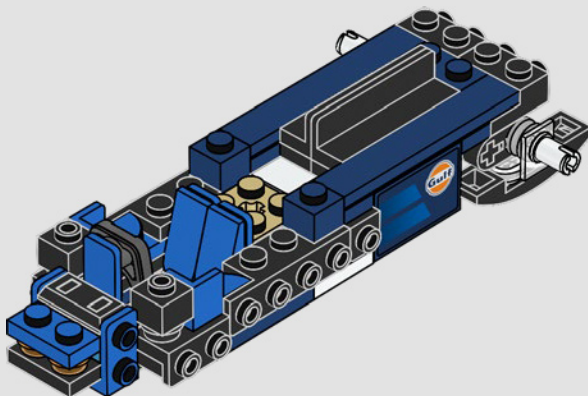


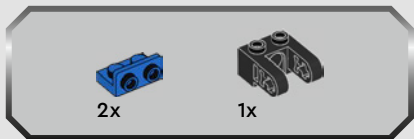
1x



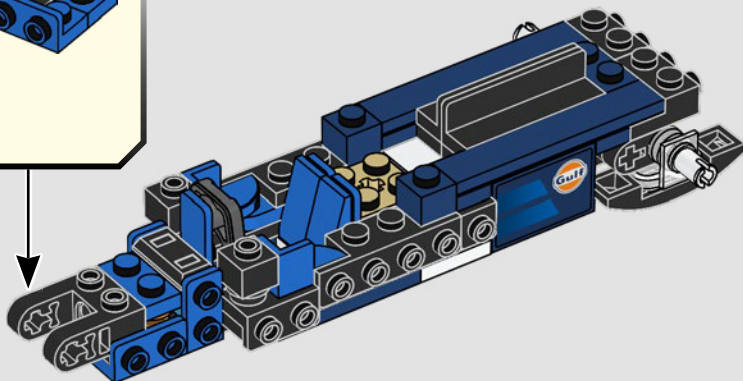
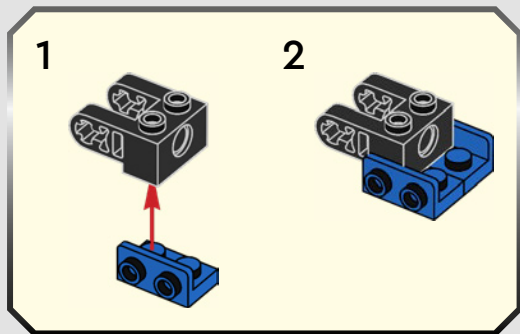
1x

24





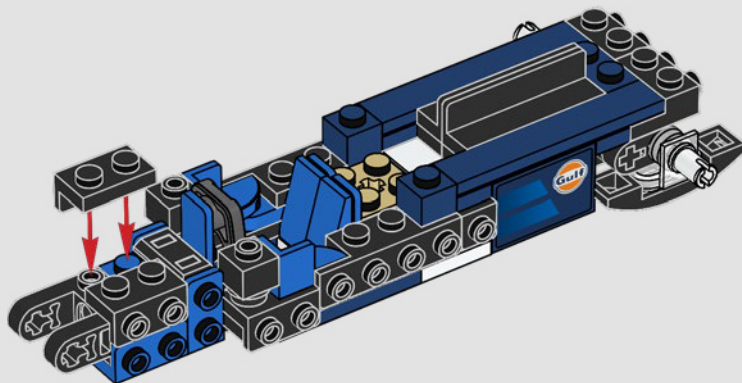
25





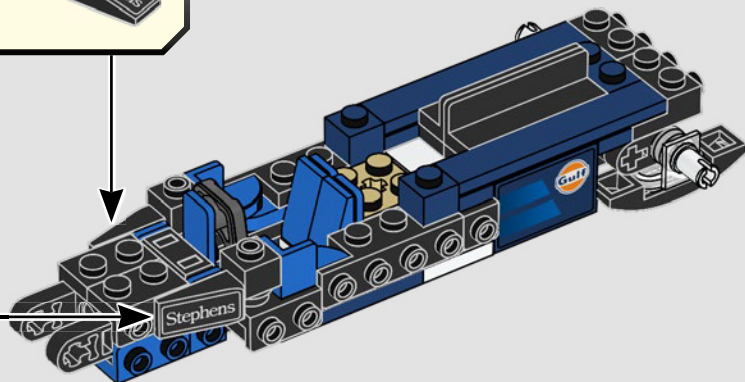
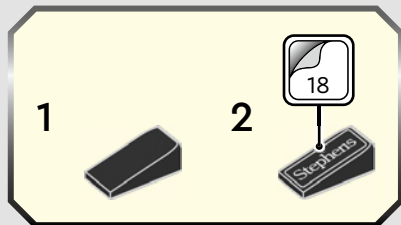
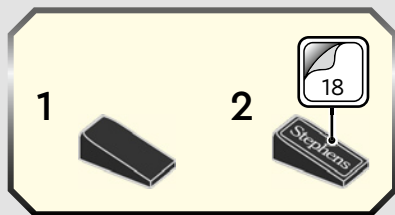
2x

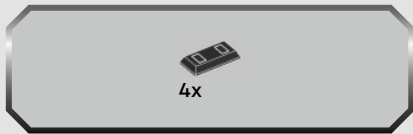
26



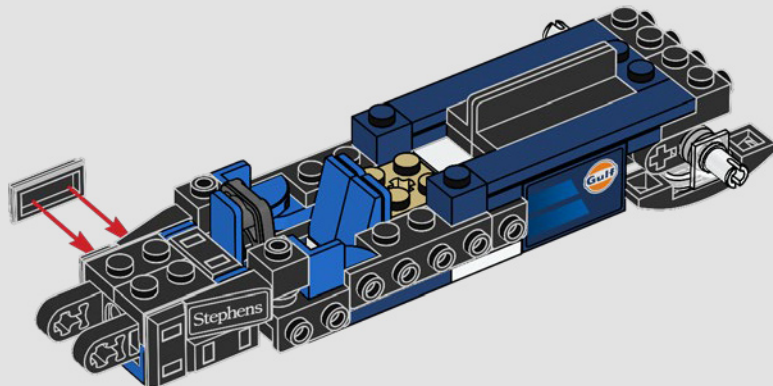


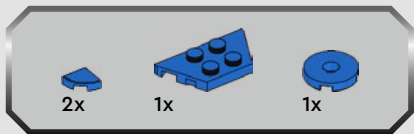
27



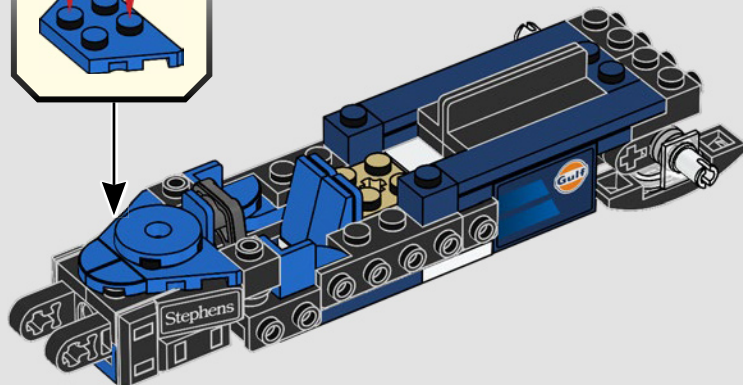
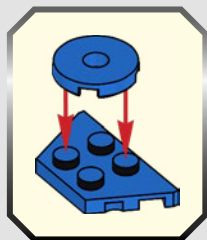


28

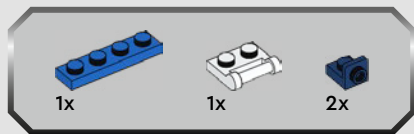




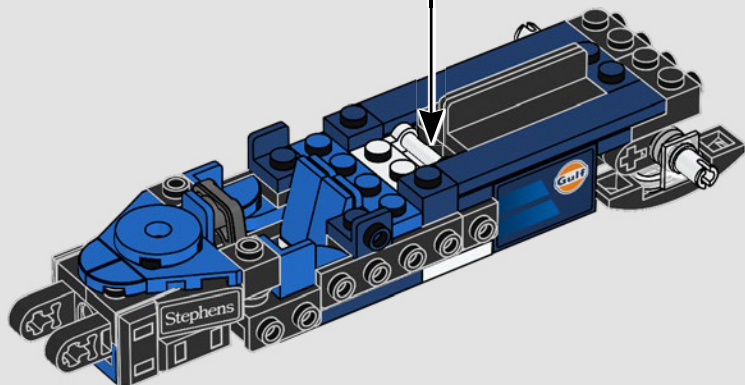
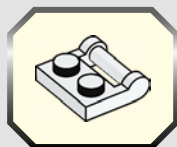
29







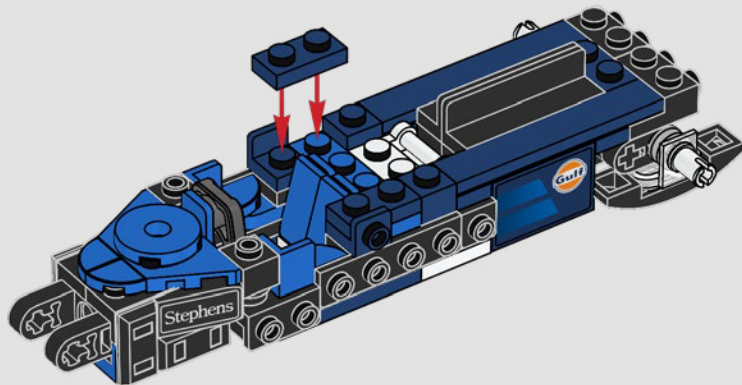
30

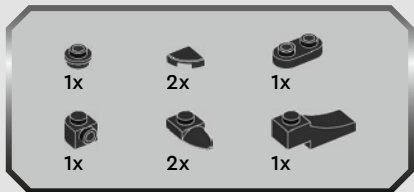
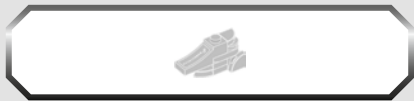




2x

31





32

1



2

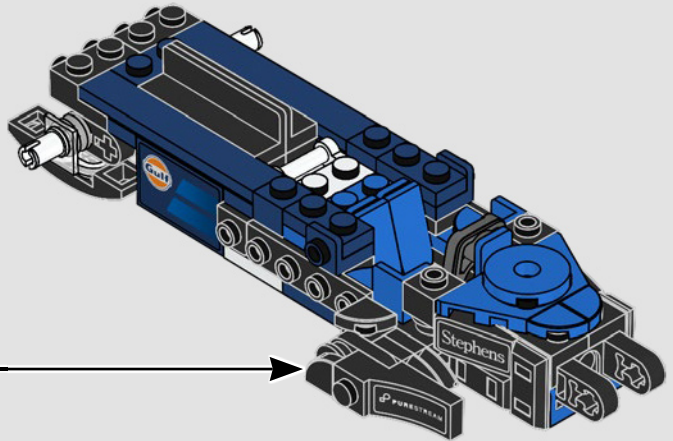
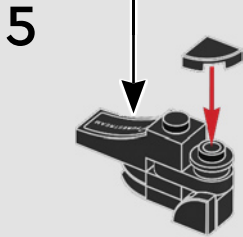
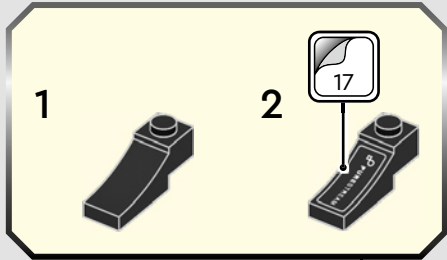


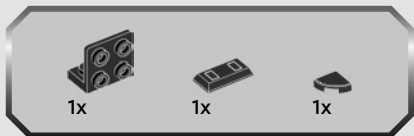
3



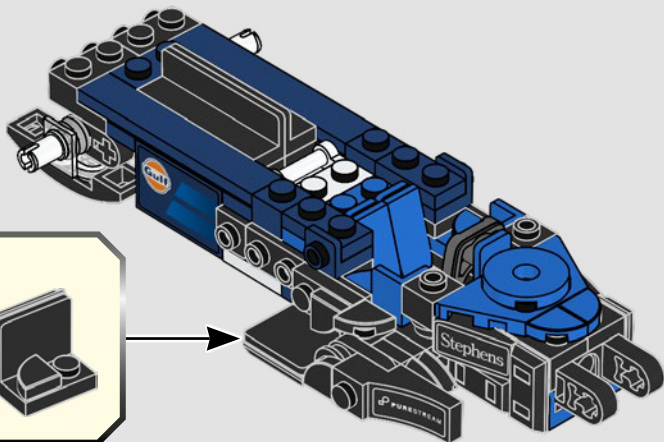
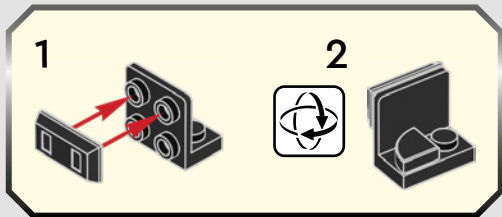
4







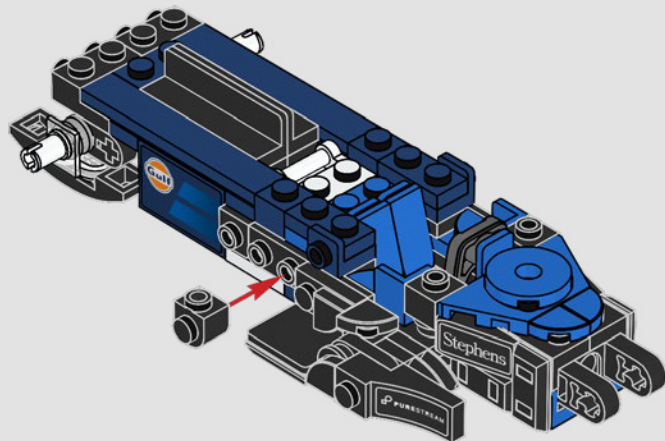
33

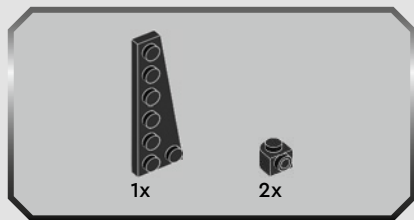




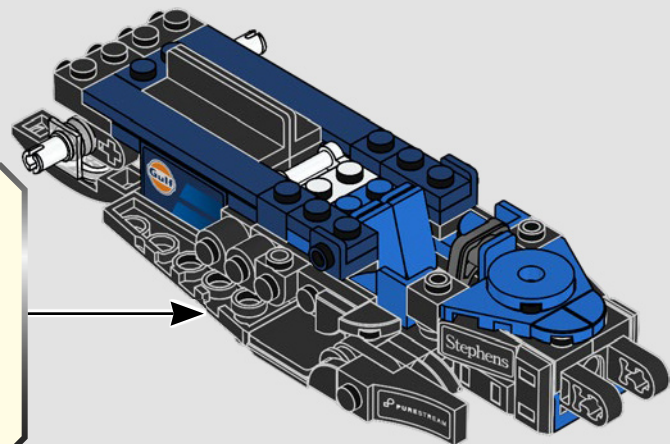
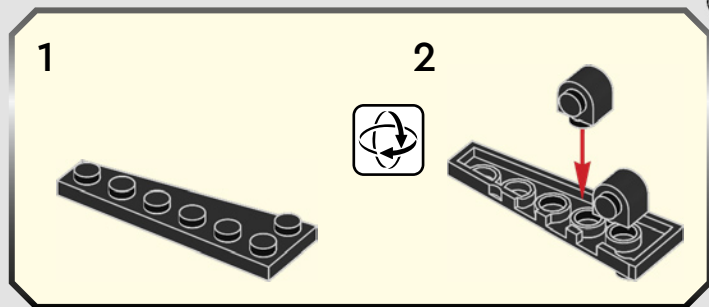
1x

34





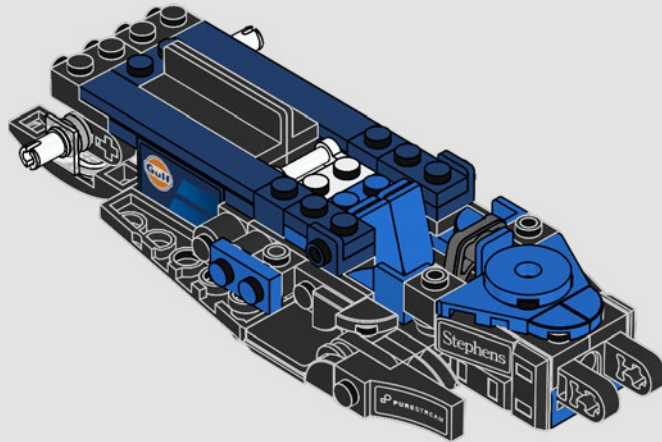
35

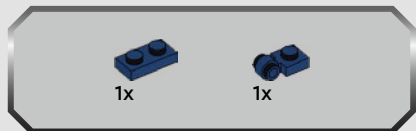




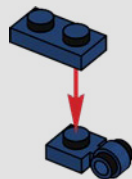
1x

36

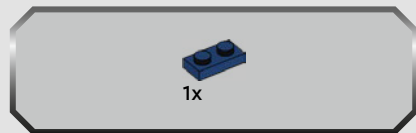
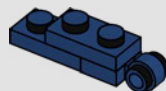




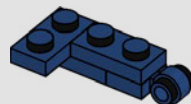
37

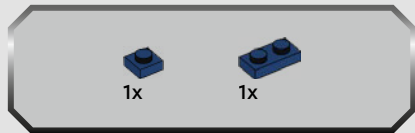


38

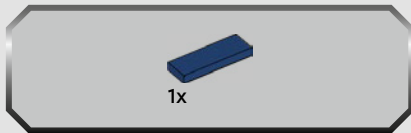
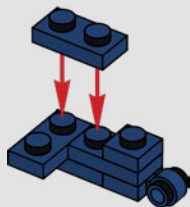


39

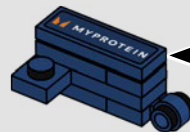
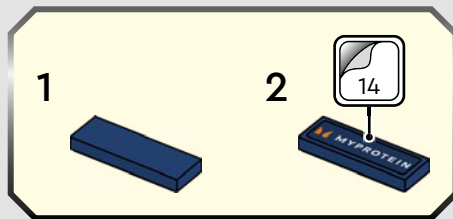


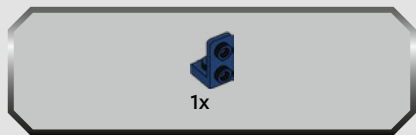


40

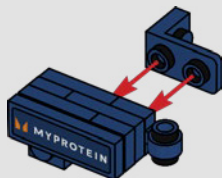


41

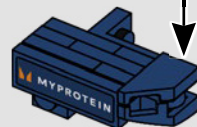




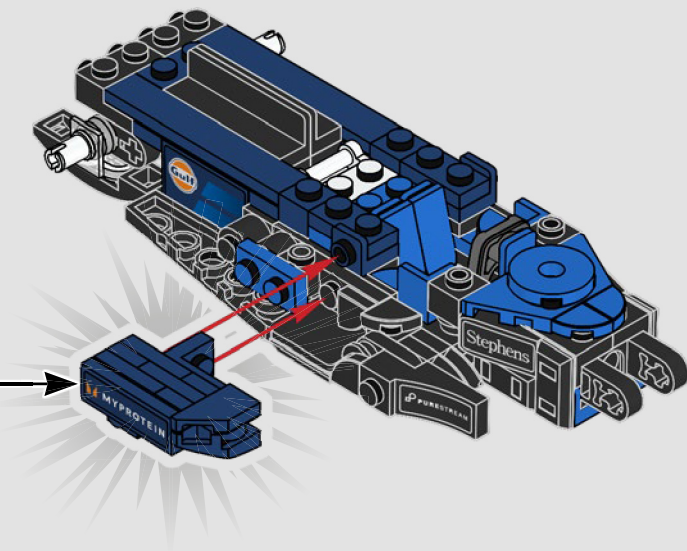
42

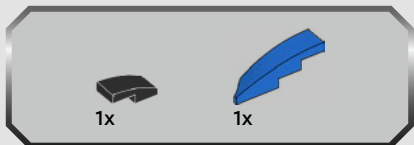


43

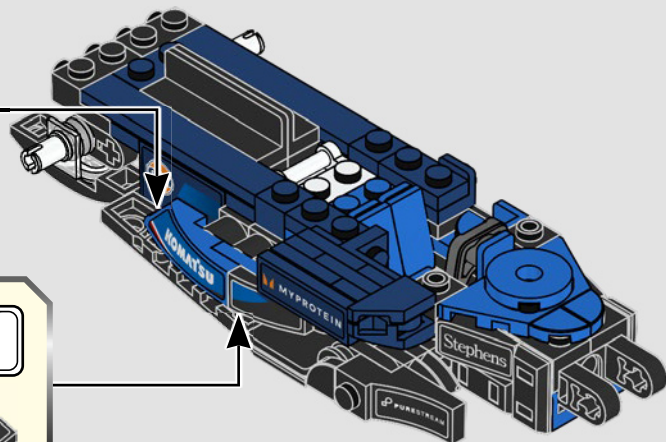
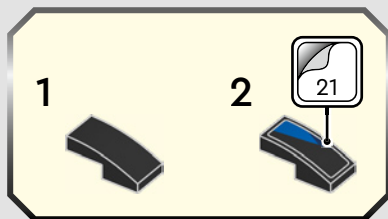
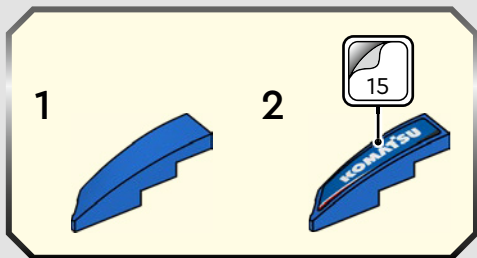


44



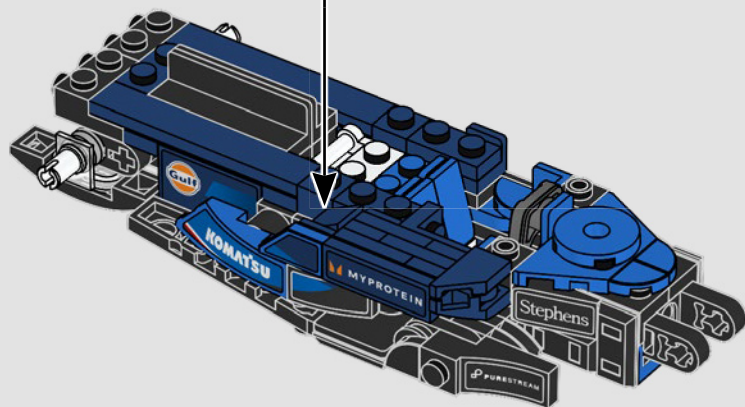
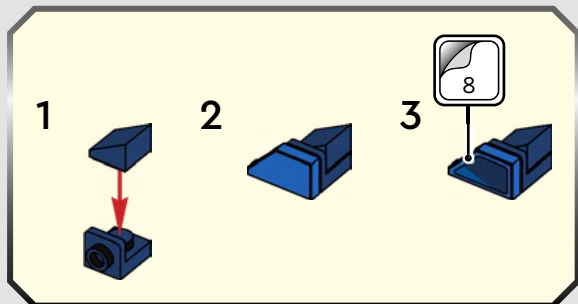


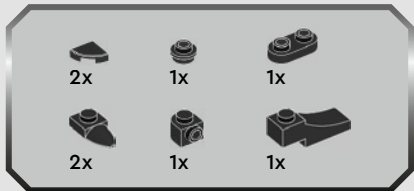
45





46





47

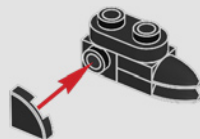
1



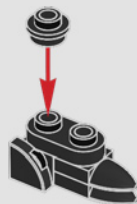
2

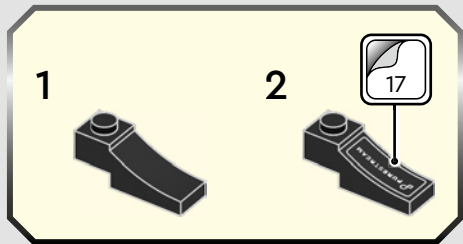


3

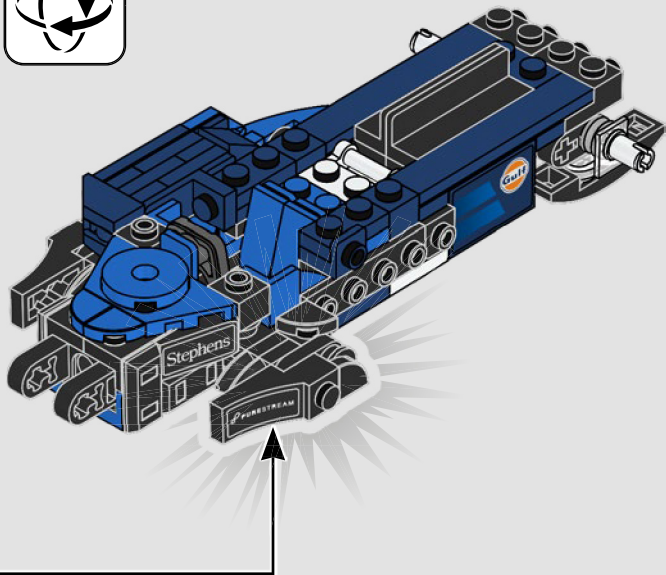
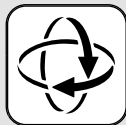
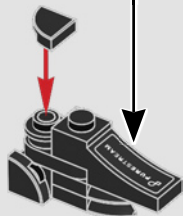


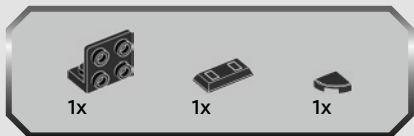
4



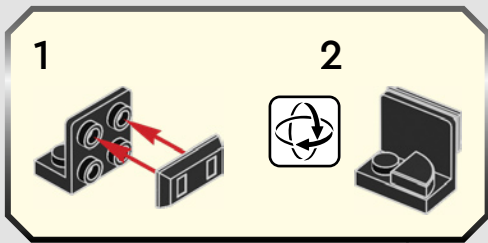
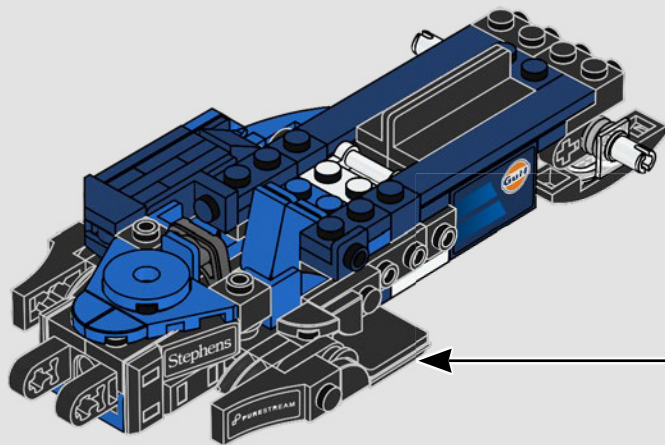


5





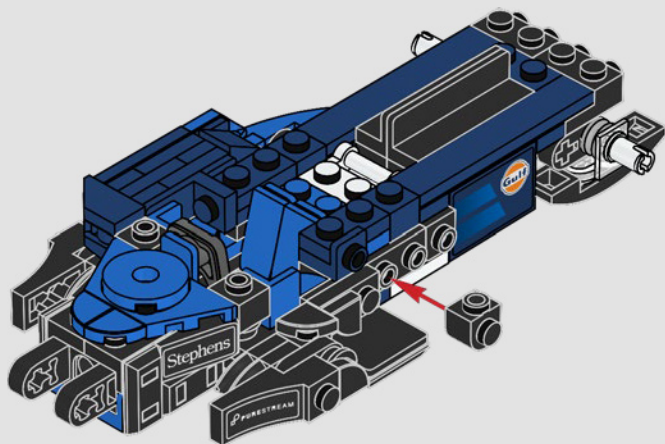
48

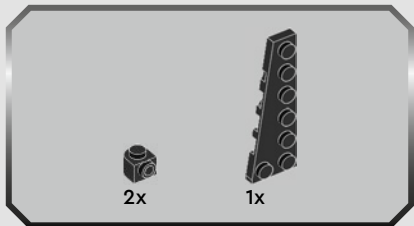




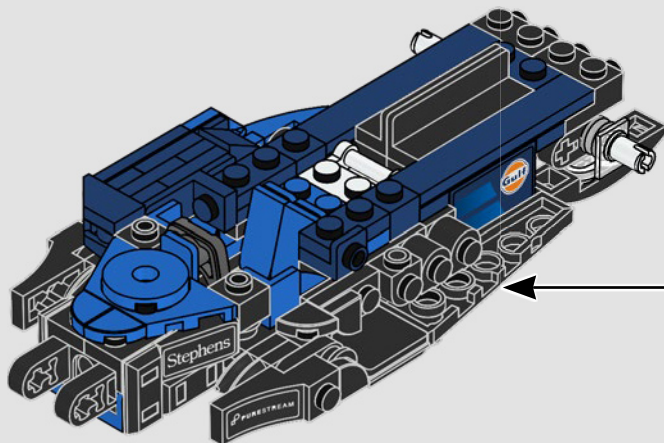
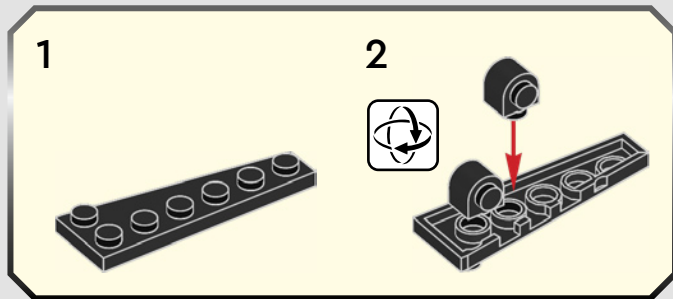
1x

49





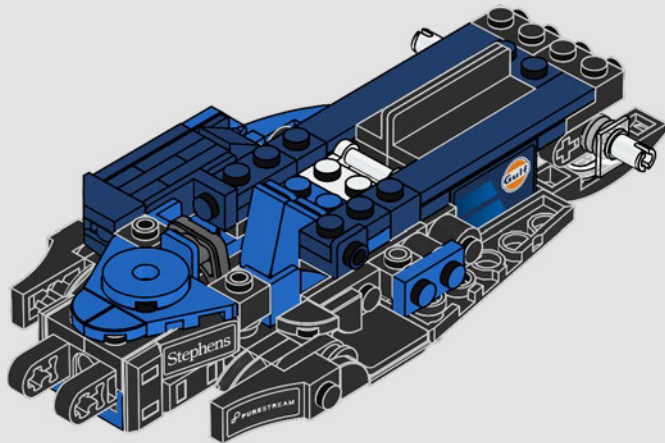
50



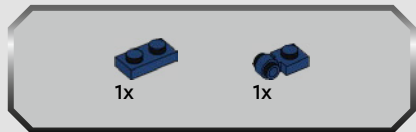


1x

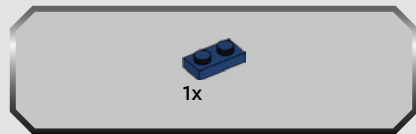
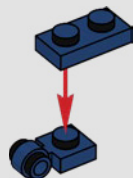
51



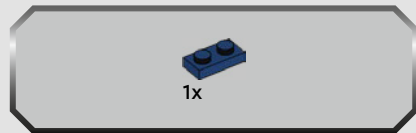
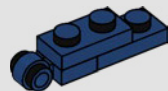
52



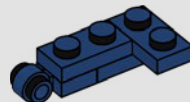
52

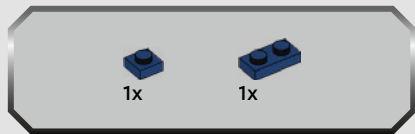


53

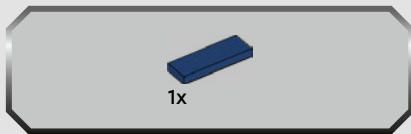
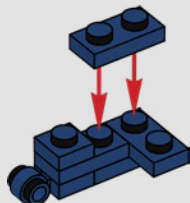


54

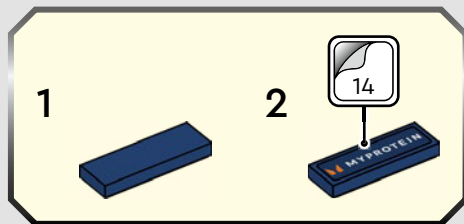




55



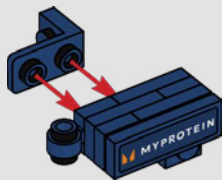
56





1x

57

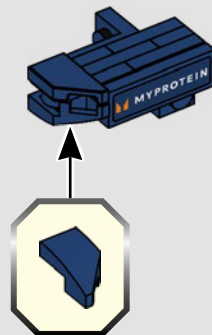


1x

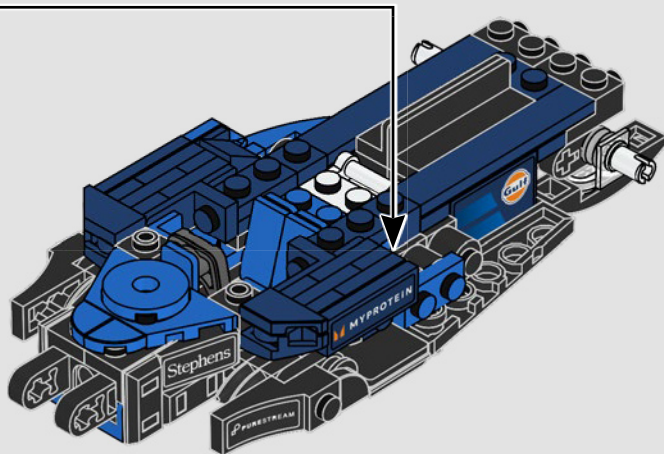


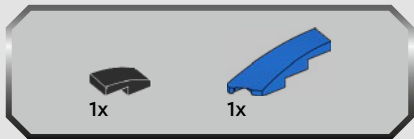
1x

58

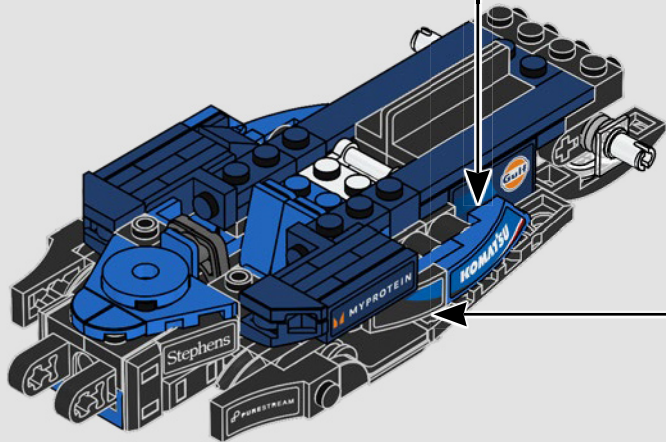
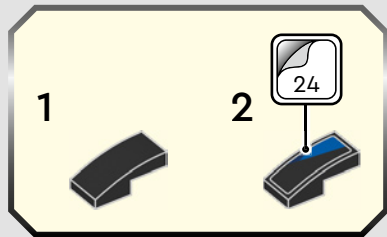
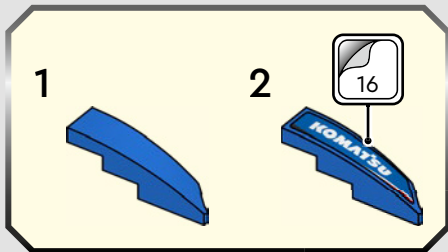


59



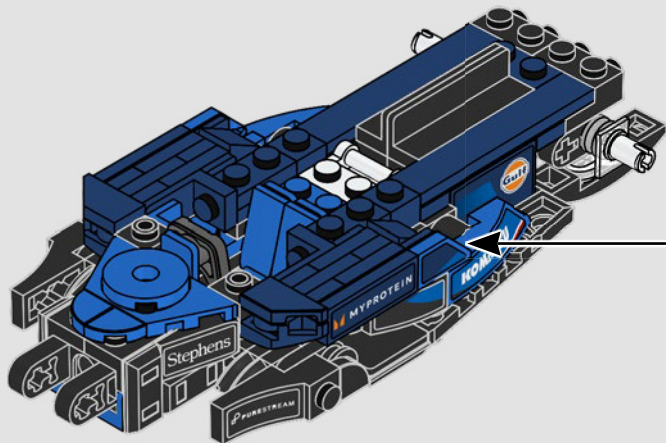
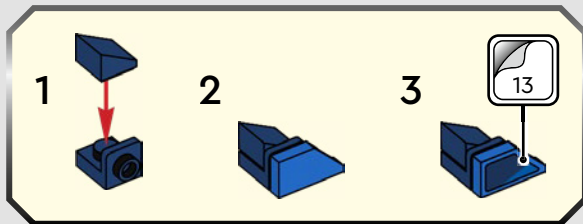


60





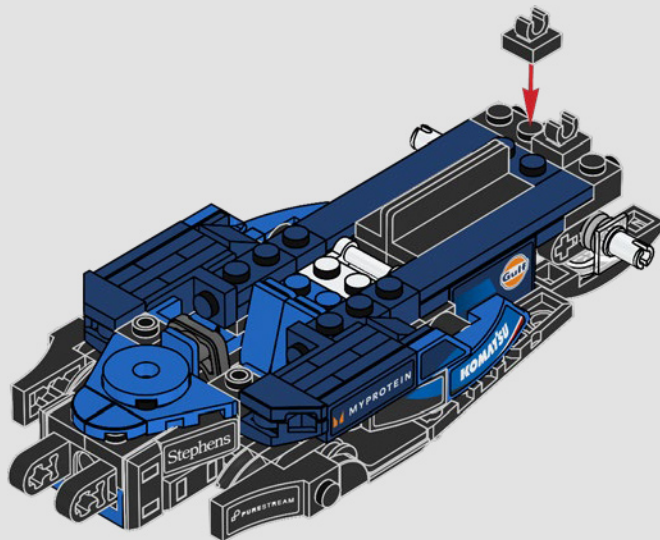
61

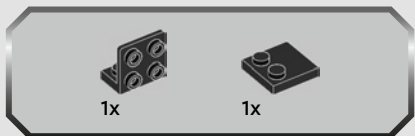




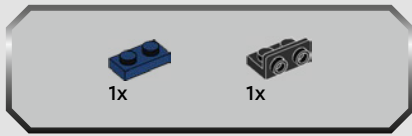
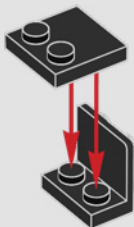
2x

62

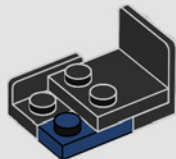




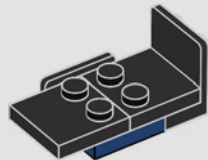
63



64

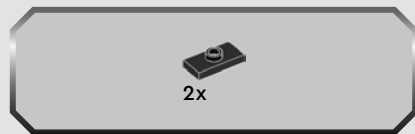
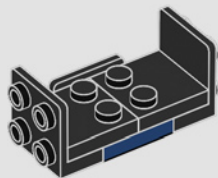


65

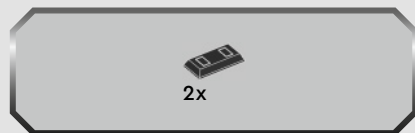
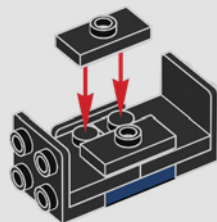




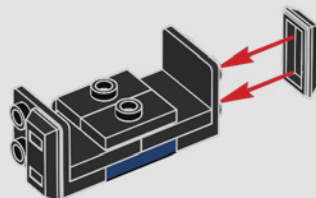
66



67



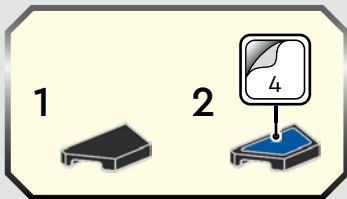
68



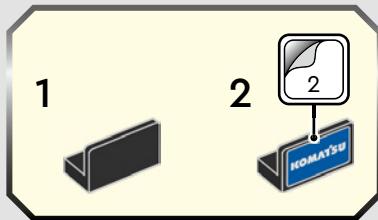


69

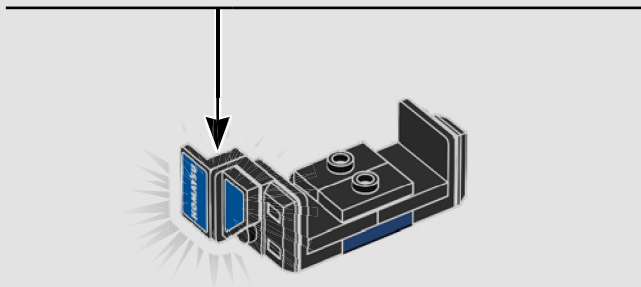
1



2



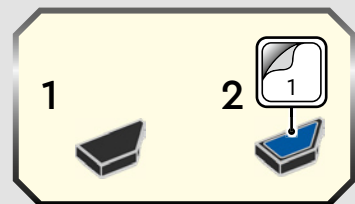
3



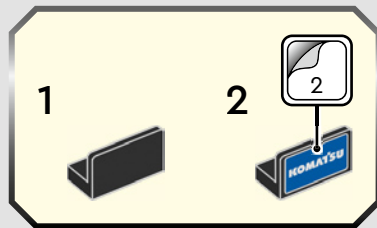


70

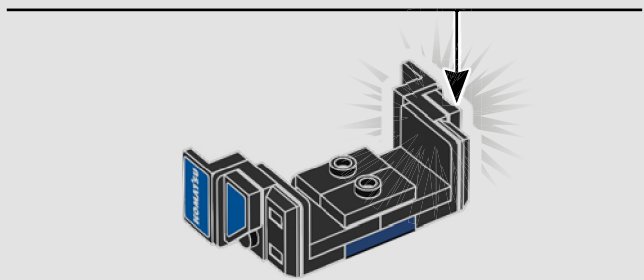
1

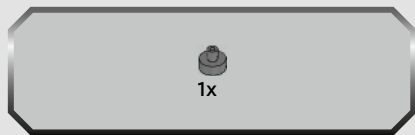


2

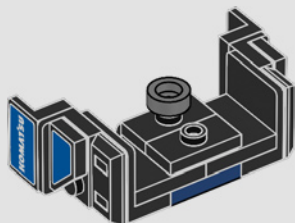


3

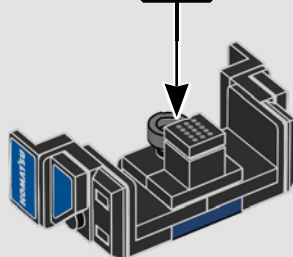
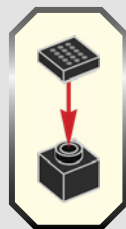




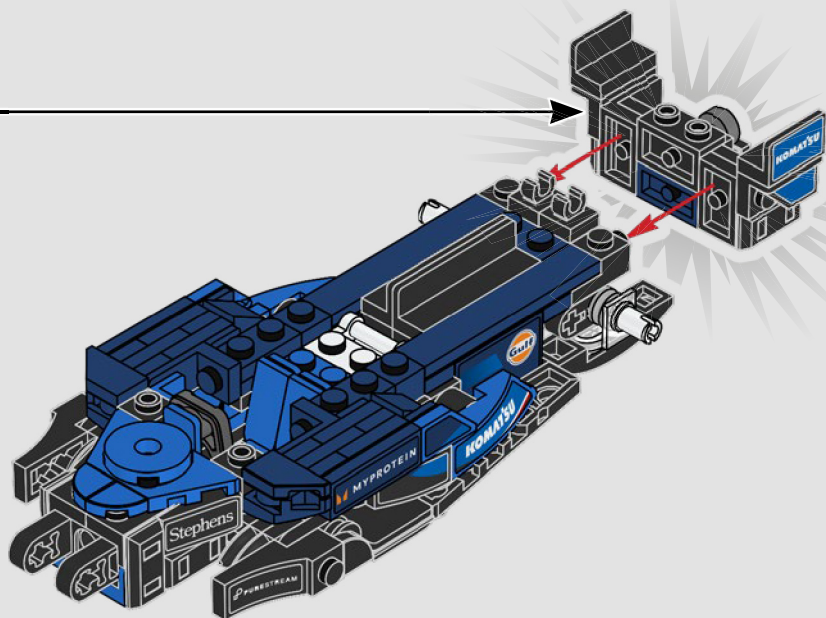
71



72



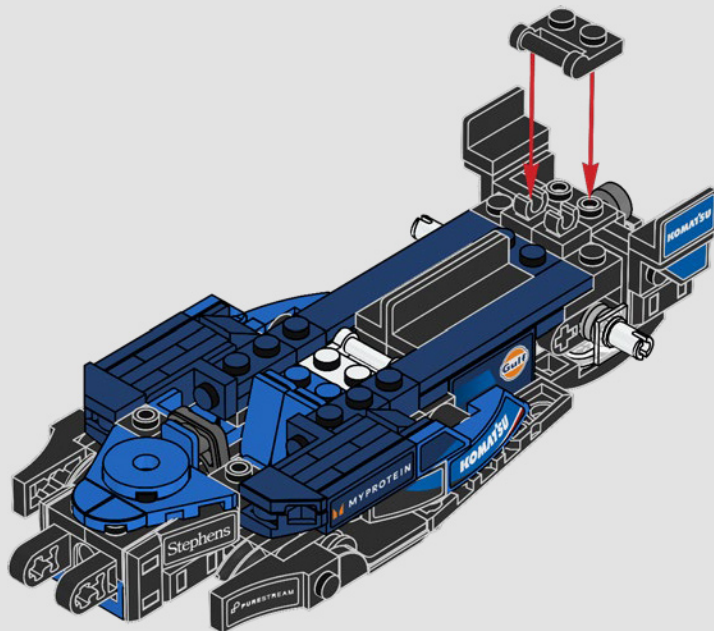
73

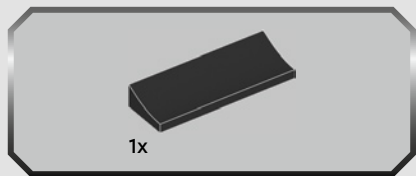




1x

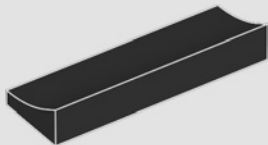
74



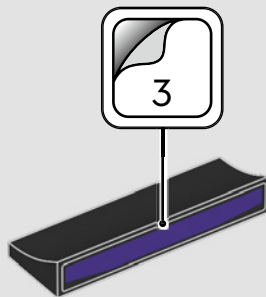


75

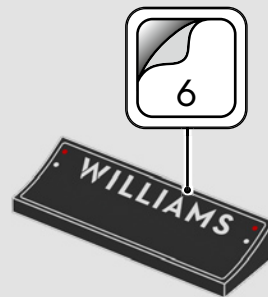
1

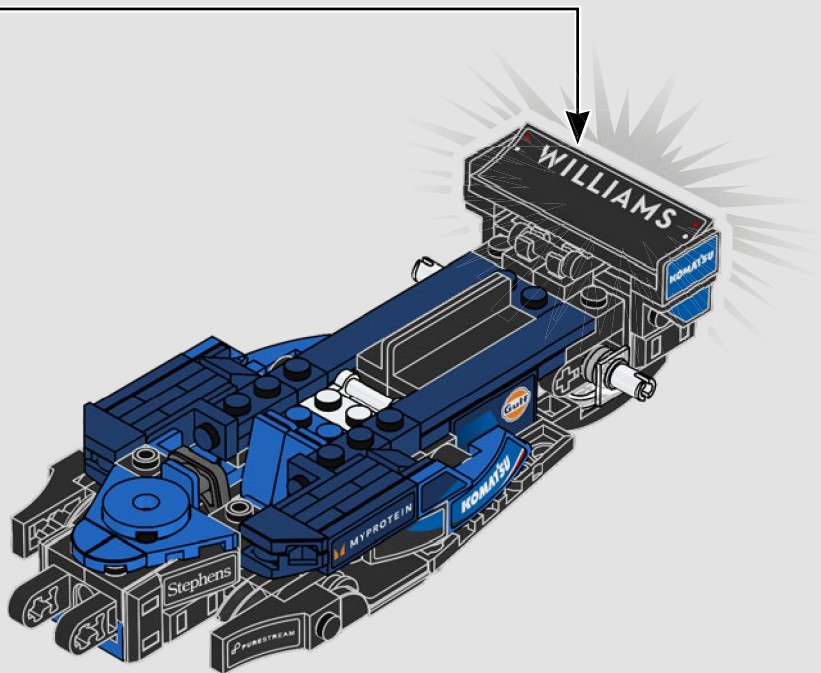


2



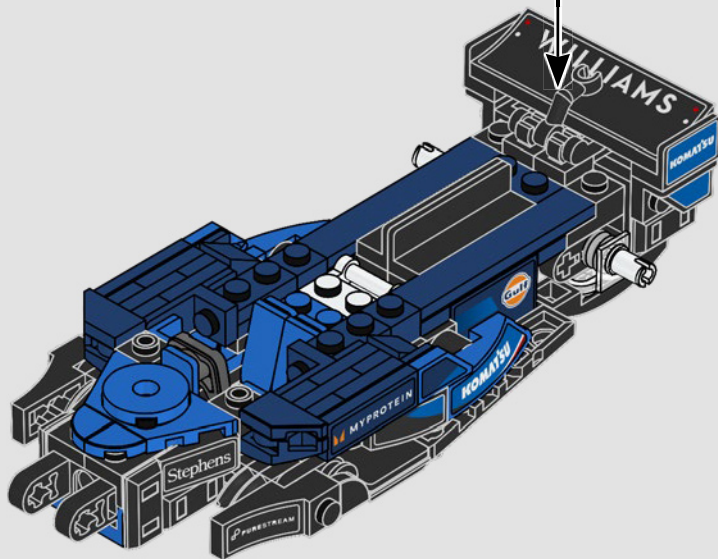
3

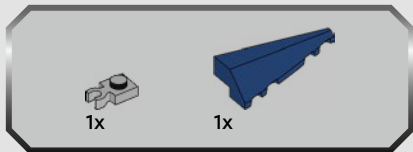




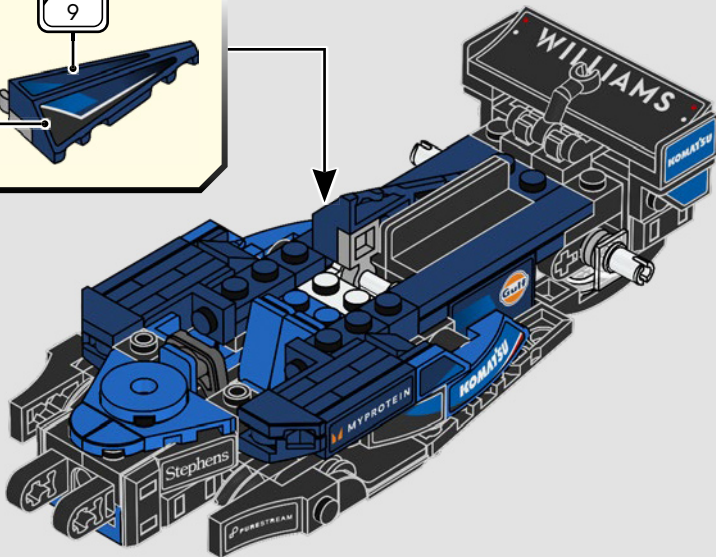
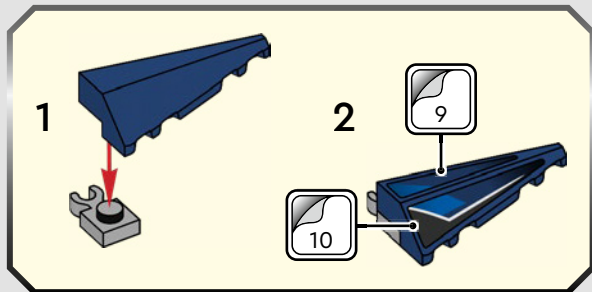


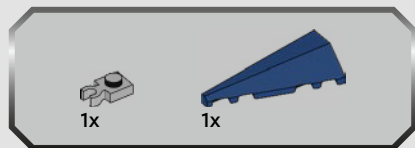
76



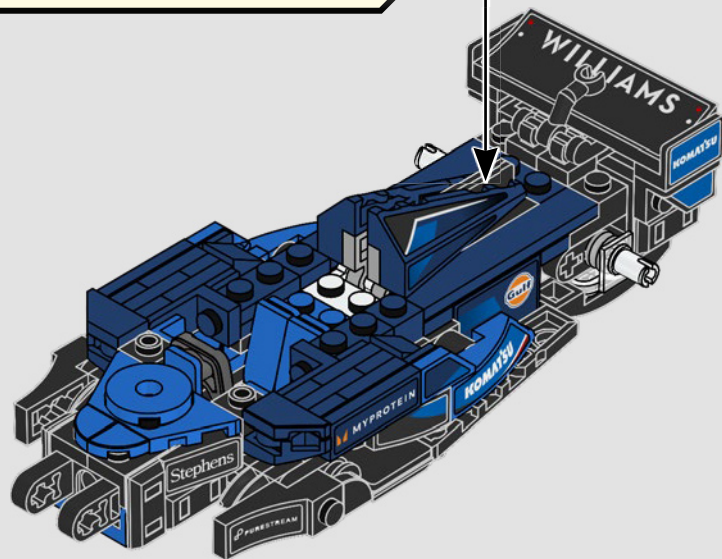
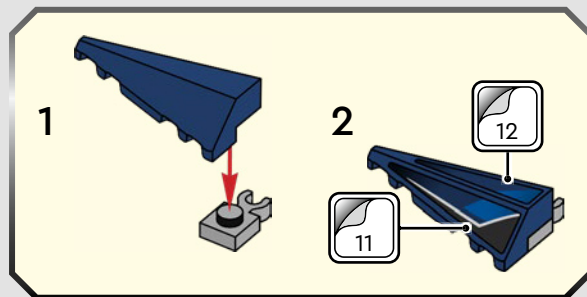


77

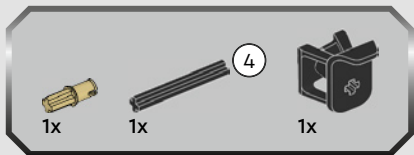




78

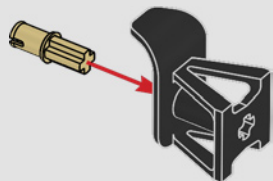




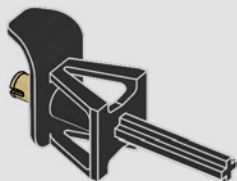


79

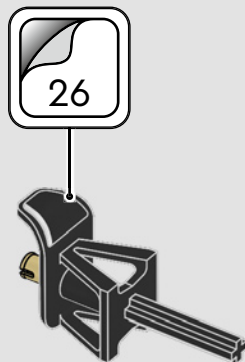
1

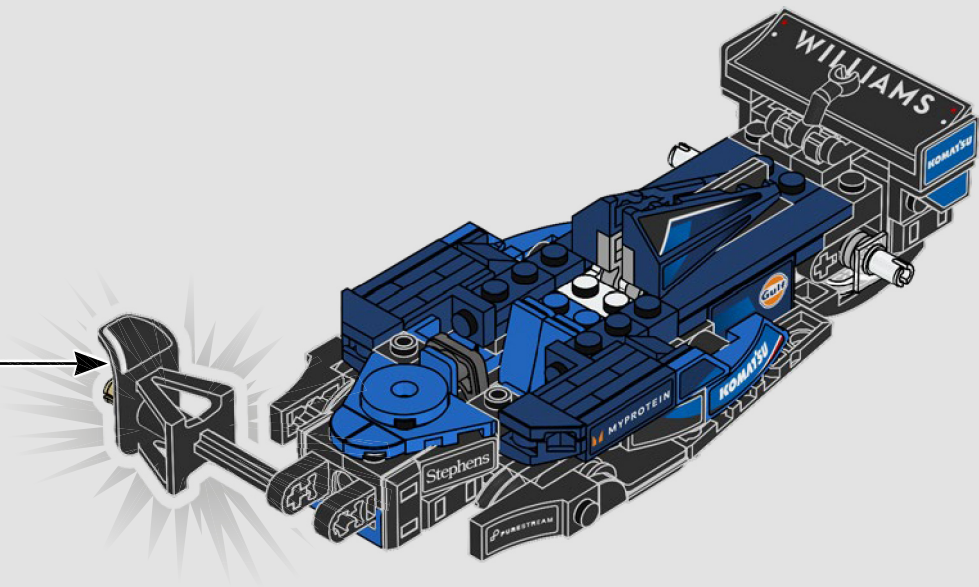


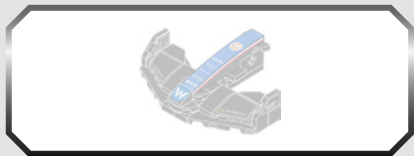
2



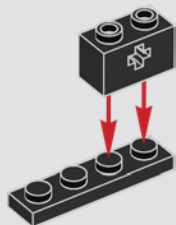
3



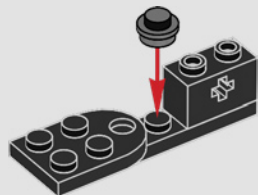


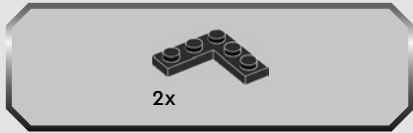


80

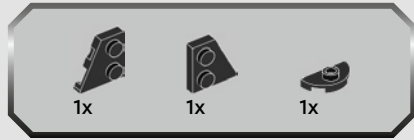
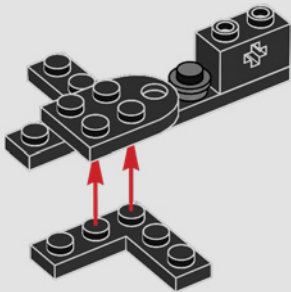


81

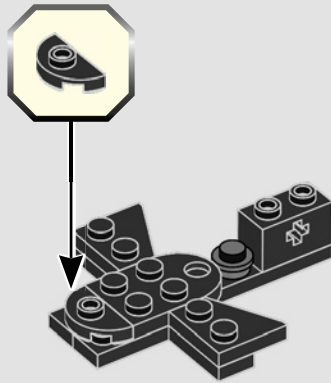




82

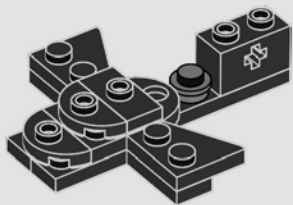


83

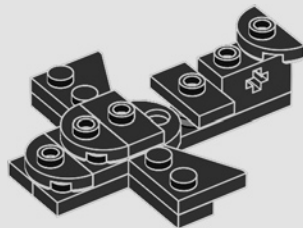




84



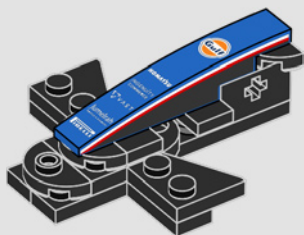
85





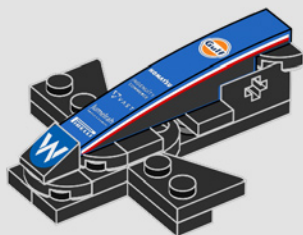
1x

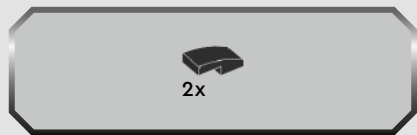
86



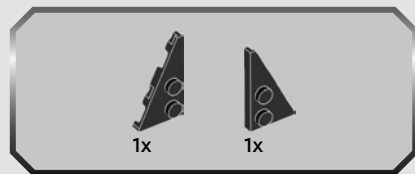
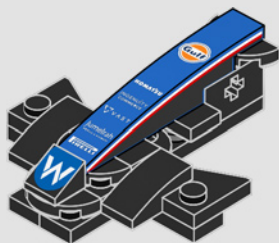
1x

87

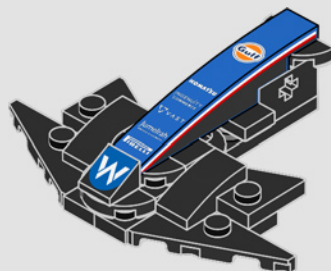




88

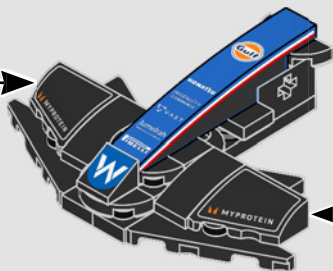
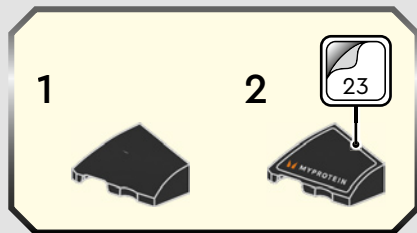
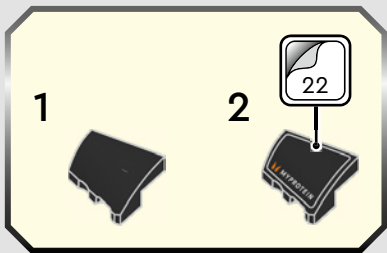


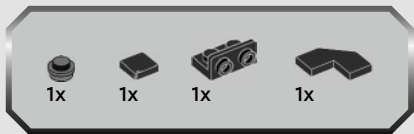
89



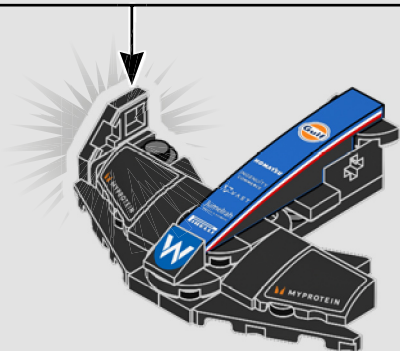
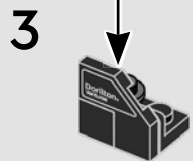
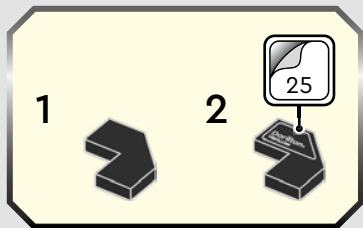
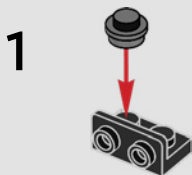


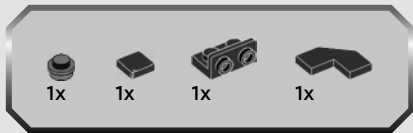
90



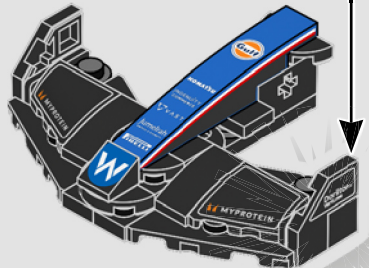
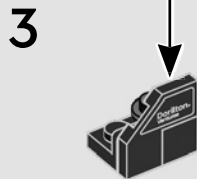
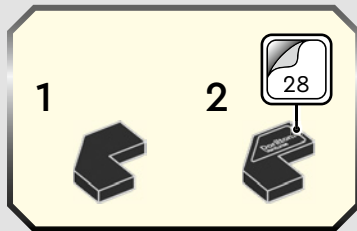
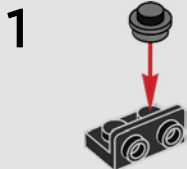


91



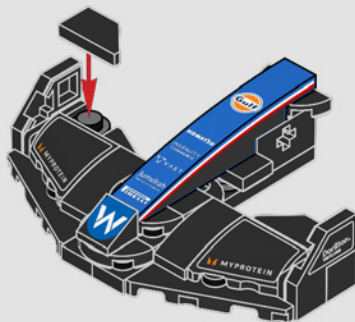


92

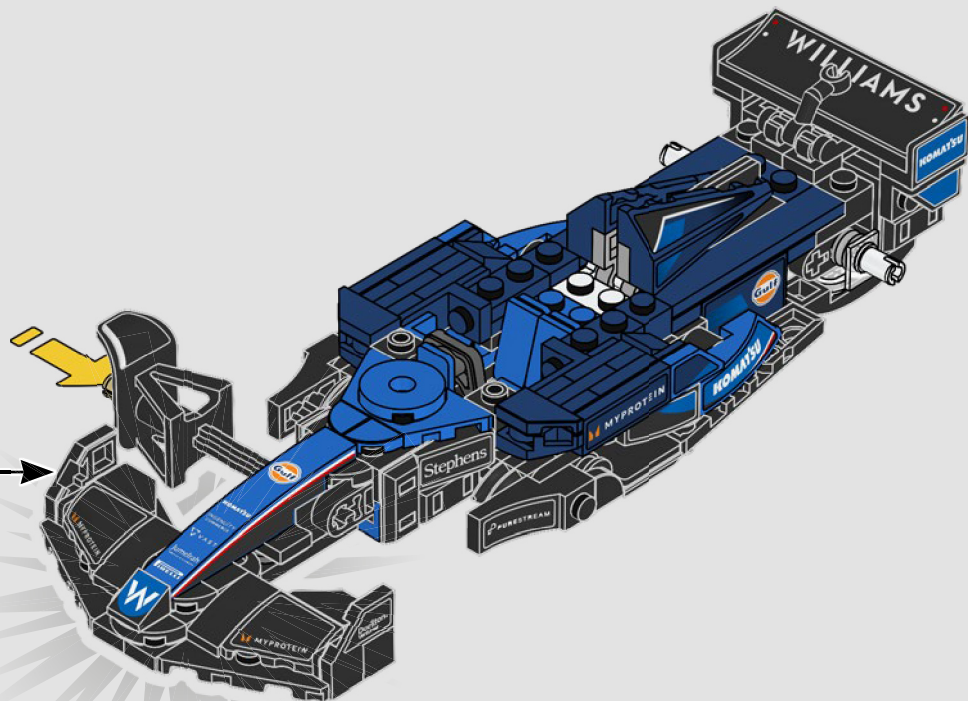




93

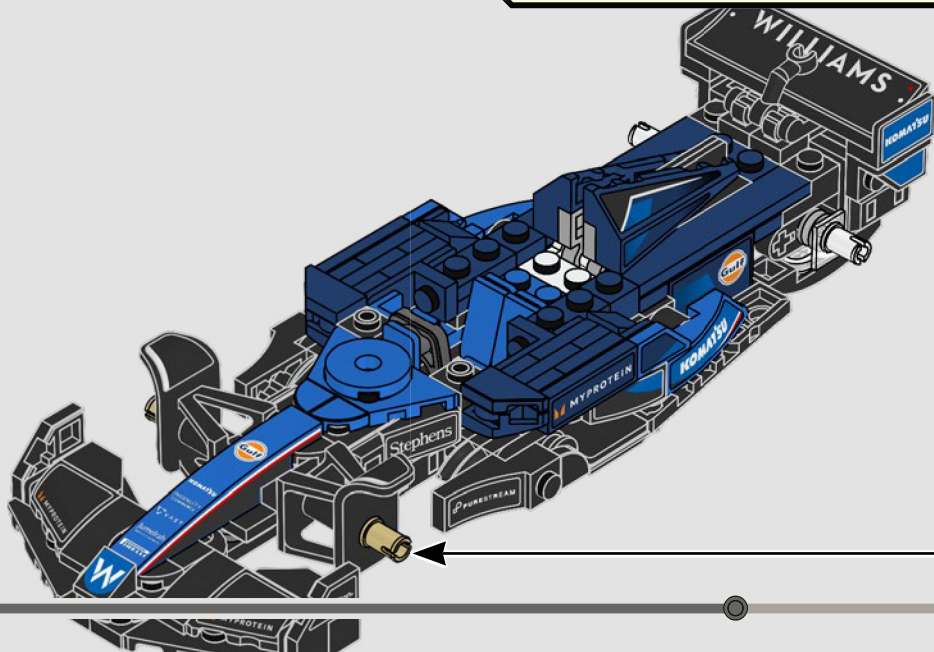
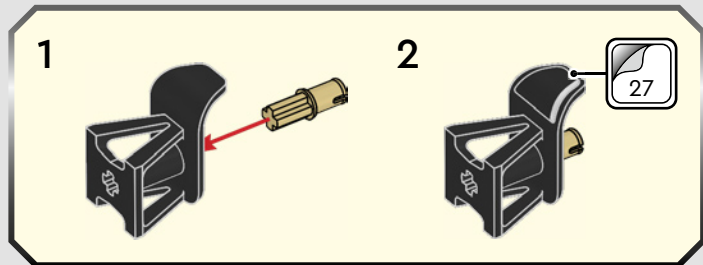


94





95



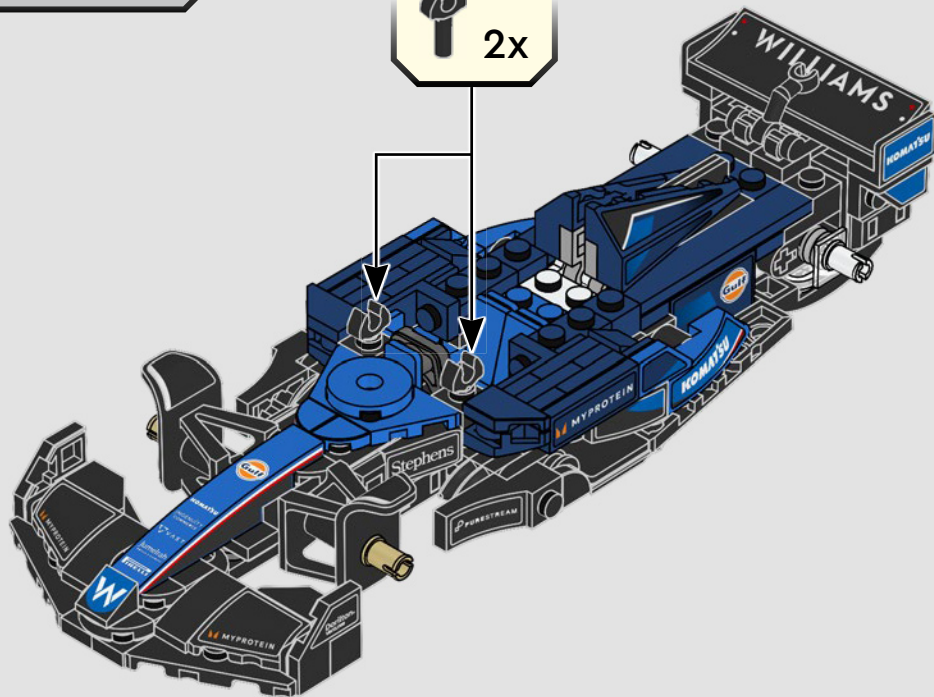


2x

96

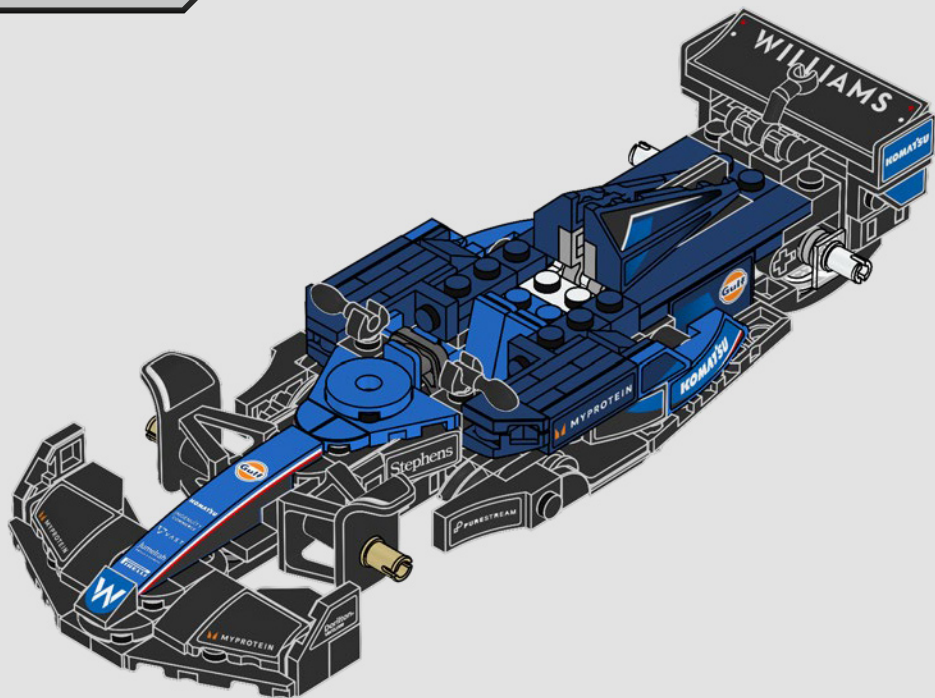


2x



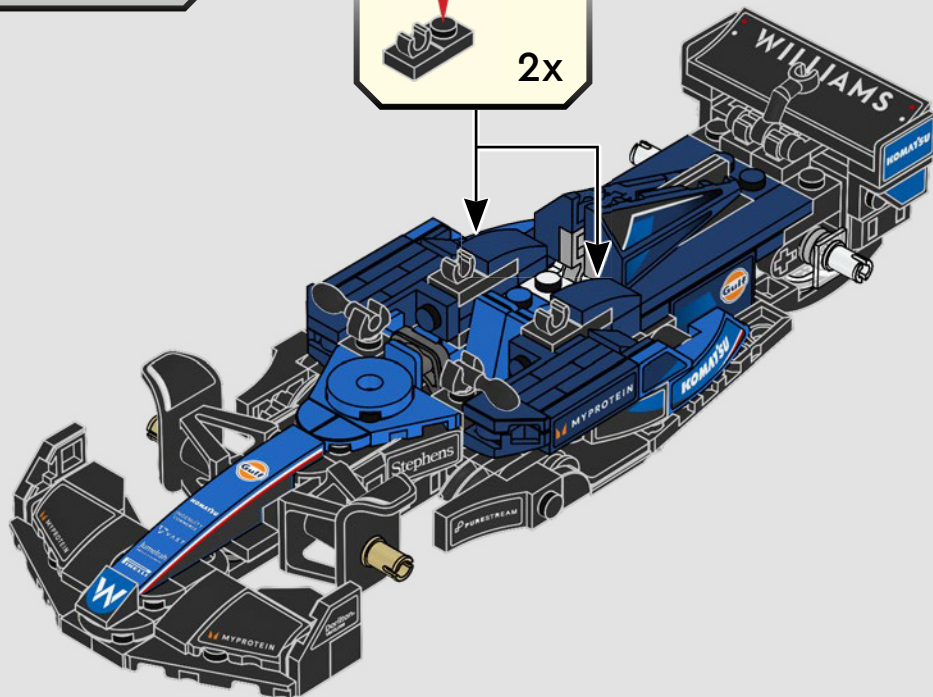
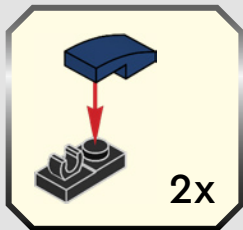


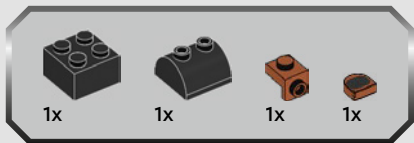
97



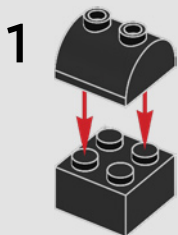


98





99

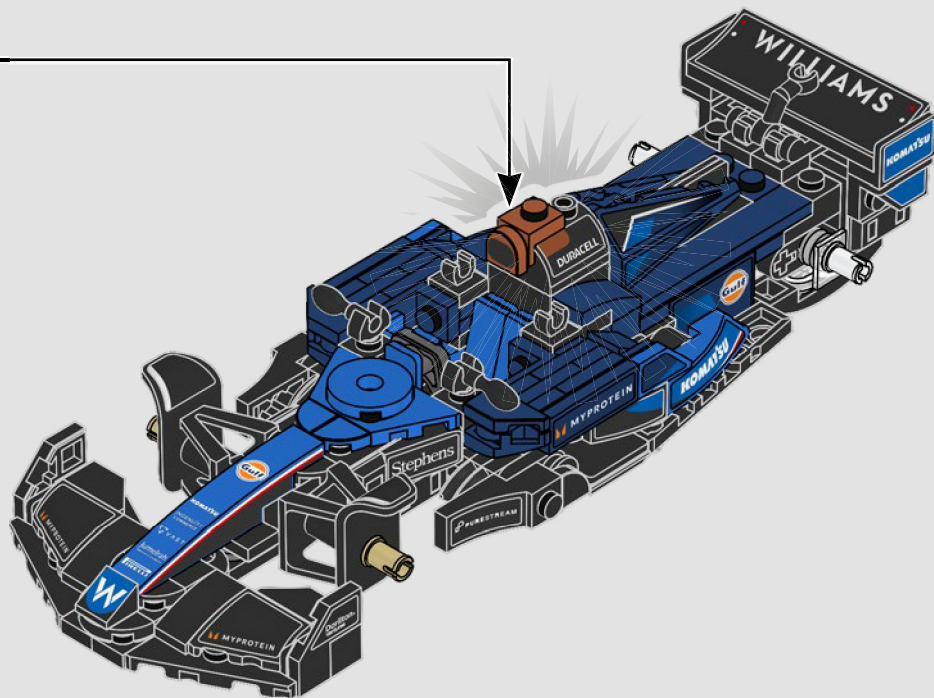


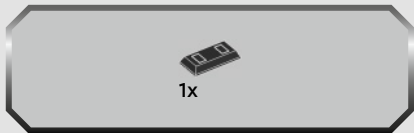
2

3

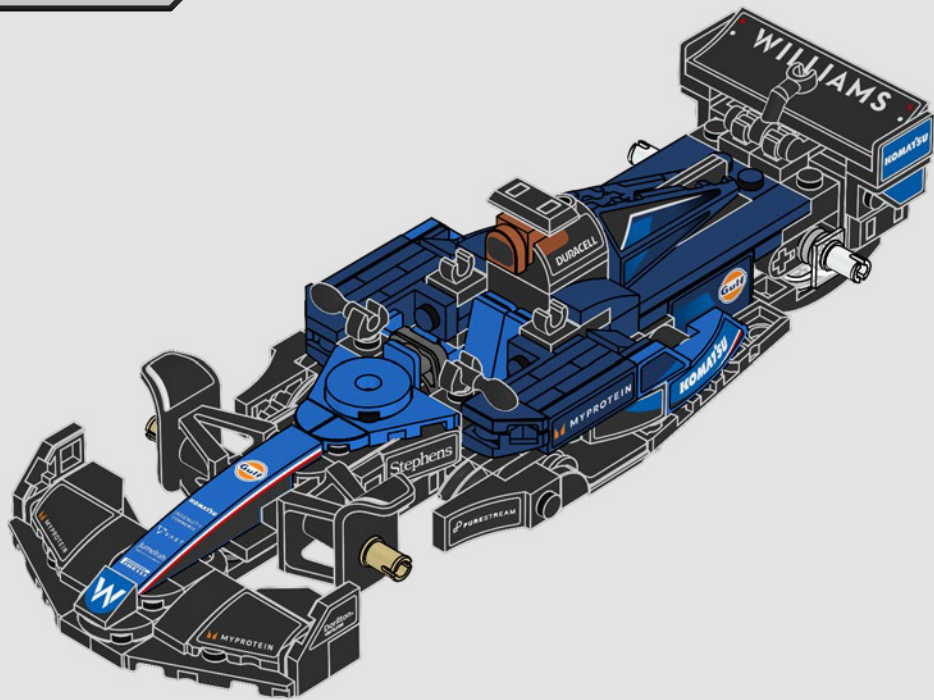
4

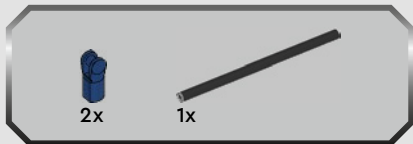
5





100



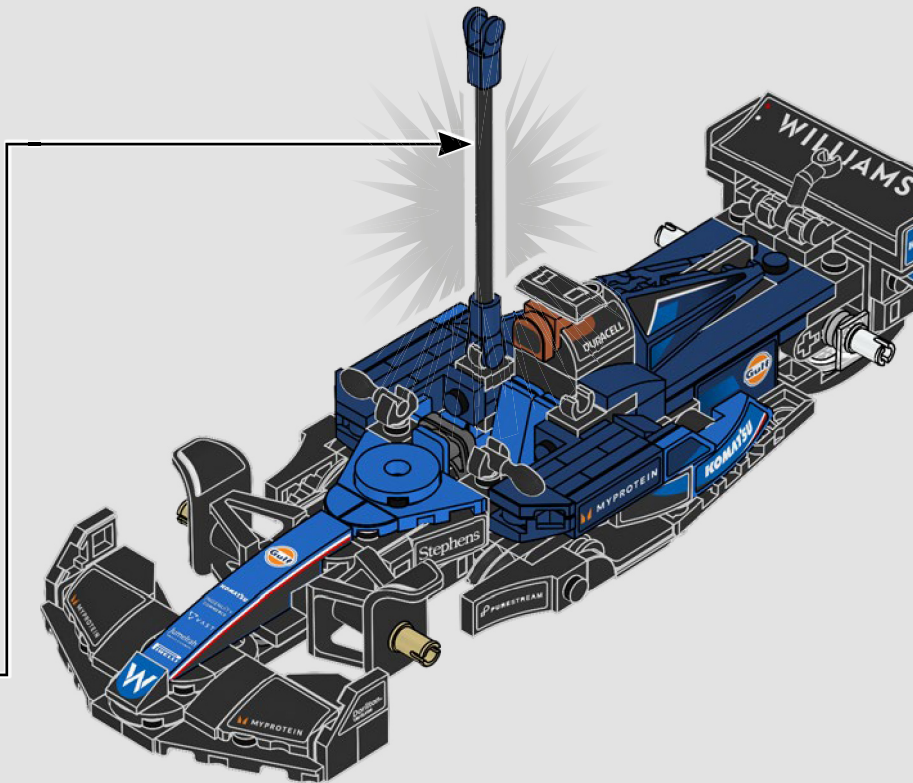


101

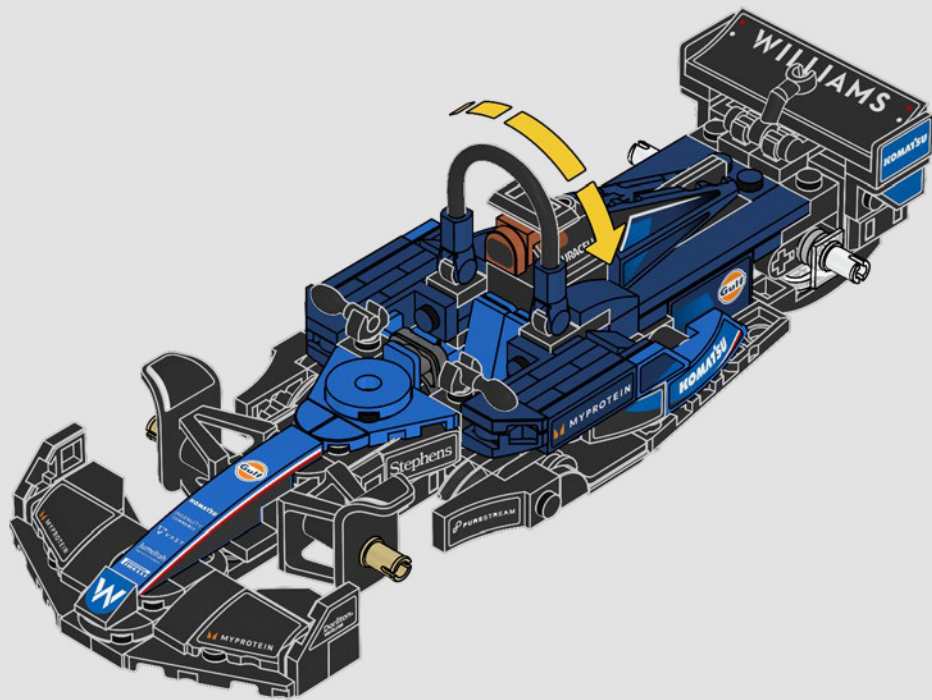
1



2



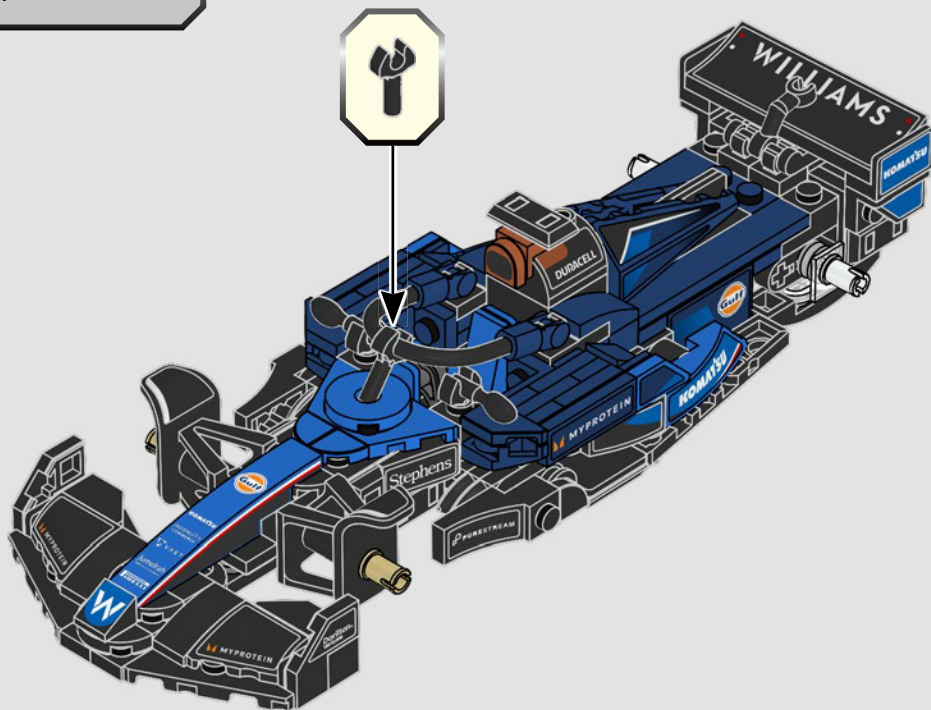
102

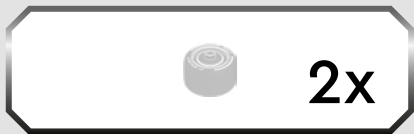




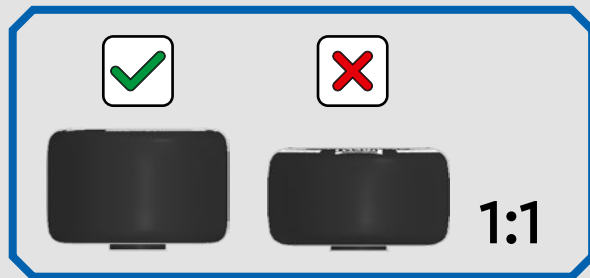
1x

103





104

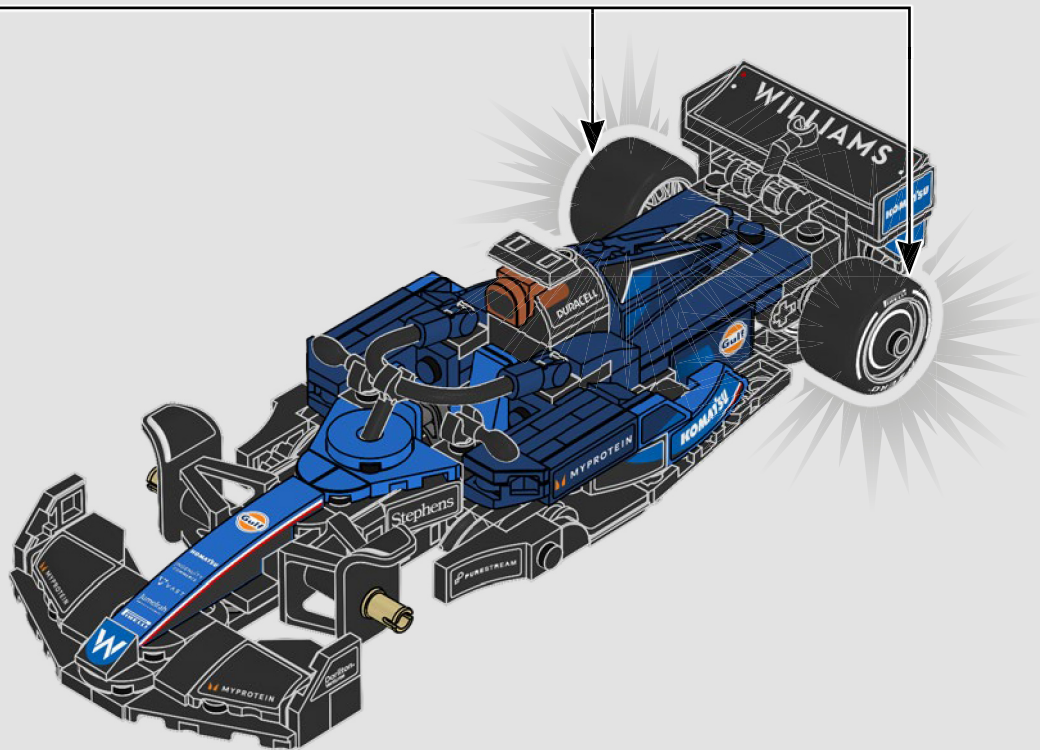


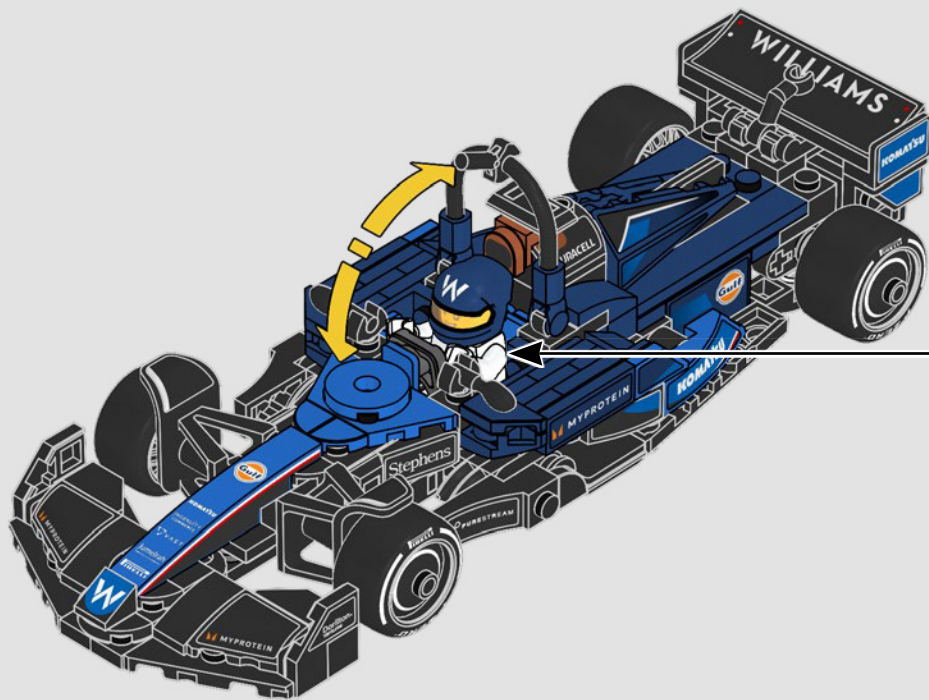
1

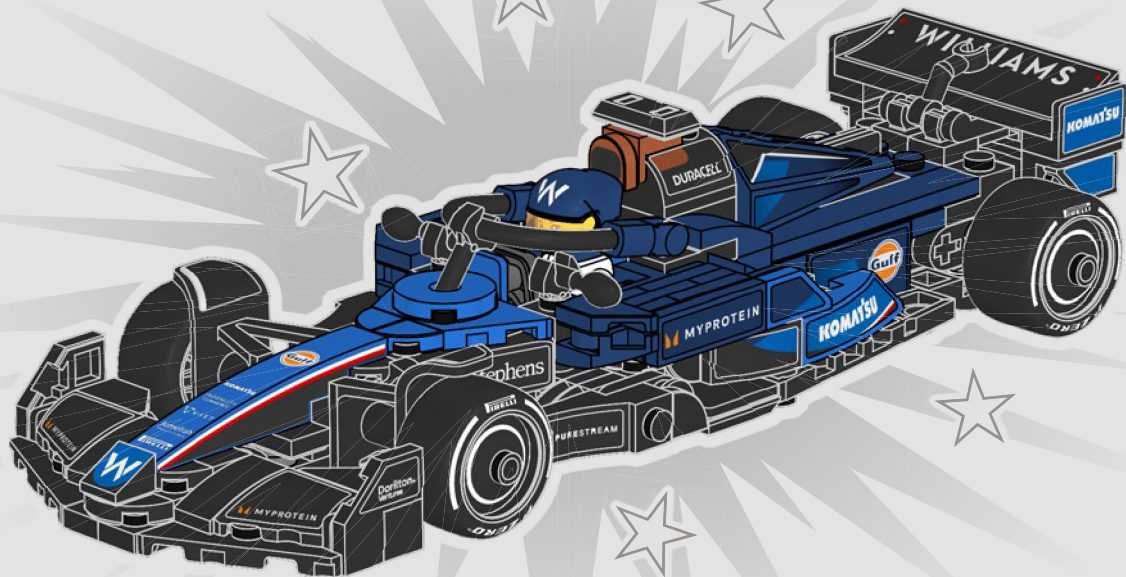


2









LEGO

**SPEED
CHAMPIONS**

77244



77242



77251



77245



The F1 logo, FORMULA 1, F1, GRAND PRIX and related marks are trademarks of Formula One Licensing BV, a Formula 1 company. All other trademarks, logos and copyrights, including those of the teams featured, are the property of their respective owners. All rights reserved.

OFFICIAL LICENSEE OF FORMULA 1®



Formula 1®

77248



77249




















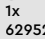















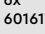





























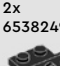



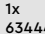



77247



77250



 1x 9327	 4x 6302961	 1x 6558857	 6x 6172383	 1x 6295295	 1x 6302313	 1x 6178922	 2x 6192346
 1x 4222017	 2x 6482746	 1x 4609454	 2x 307026	 1x 6295295	 1x 6513908	 2x 6146220	 2x 6469445
 2x 6218822	 5x 6344218	 1x 6558916	 1x 6535272	 1x 6295293	 1x 6279875	 4x 6000650	 2x 6508991
 4x 242001	 1x 6535149	 1x 371023	 2x 6335388	 3x 6510061	 4x 6539368	 6x 6016172	 2x 6328095
 2x 6289797	 1x 6535451	 1x 6560651	 3x 6388352	 1x 6141556	 1x 6507846	 5x 6020193	 1x 6517676
 1x 6530340	 1x 6535148	 1x 6434831	 1x 6539347	 1x 6344427	 2x 6510125	 1x 4225201	 2x 6538248
 2x 302101	 2x 6513920	 2x 6475201	 2x 6299338	 4x 6338428	 10x 6156991	 2x 6513918	 1x 317626
 2x 4666579	 3x 302323	 4x 6168646	 2x 6510139	 2x 6210270	 2x 6513918	 1x 300326	 2x 6538249
 1x 6330903	 4x 6133721	 3x 6439039	 4x 4273590	 1x 6210270	 2x 6347310	 1x 4200023	 2x 6538249
 2x 6537694	 8x 6424674	 1x 6141554	 1x 6141554	 4x 6047276	 2x 6166859	 2x 6168620	

- 2x
370526
- 2x
4613153
- 1x
371026
- 2x
6092570
- 2x
370126
- 2x
6439175
- 1x
6429334
- 1x
6508988

4

- 1x
4656764
- 2x
6249907
- 2x
6384643
- 2x
4255413
- 4x
4184108
- 1x
6214811
- 2x
4504374
- 4x
6462497

- 2x
6450823
- 1x
6510146
- 1x
6214812
- 2x
6328107
- 1x
6510132
- 2x
6094143
- 12x
4528981
- 2x
6132566
- 2x
6186974
- 3x
4502089

- 1x
6535267
- 1x
6540768
- 1x
6540767
- 2x
4252437
- 1x
6540063
- 1x
6248949
- 2x
6166106

- 2x
6271165
- 2x
6248078
- 2x
6296894
- 1x
6326478
- 6x
6510162
- 3x
4210633

- 1x
6271752
- 1x
6420630
- 1x
6167576
- 1x
6472255
- 1x
6151671



 LEGO.com/service

YOU COULD
WIN



Scan this QR code or go to
LEGO.COM/PRODUCTFEEDBACK and give us
your short feedback about this LEGO® set
for a chance to win a cool LEGO prize.

Terms and Conditions apply*

EN: YOU COULD WIN. Terms and Conditions apply* **DE: Du könntest GEWINNEN.** Es gelten die Teilnahmebedingungen* **FR: Tu pourrais GAGNER.** Des conditions s'appliquent* **IT: Potresti VINCERE tu.** Termini e condizioni sono applicabili* **ES: Puedes GANAR.** Aplican términos y condiciones* **PT: PODERÁ GANHAR.** Aplicam-se Termos e Condições* **ZH: 轻松获奖.** 条款和条件适用* **PL: Szansa na WYGRANĄ.** Obowiązuje regulamin* **CS: Máte šanci VYHRÁT.** Platí všeobecné smluvní podmínky* **SK: Máte šancu VYHRAŤ.** Platia všeobecné zmluvné podmienky* **HU: TE IS NYERHETSZ.** Felhasználási feltételek érvényesek* **UA: ВИ МОЖЕТЕ ВИГРАТИ.** Застосовуються загальні положення та умови* **RO: Ai putea CÂȘTIGA.** Se aplică termeni și condiții* **BG: Можете да СПЕЧЕЛИТЕ.** Има определени правила и условия* **LV: Tu vari LAIMĒT.** Ir spēkā noteikumi un nosacījumi.* **ET: Sul on võimalus VÕITA.** Kehtivad tingimused* **LT: Jūs galite LAIMĖTI.** Taikomos sąlygos*

*[LEGO.com/productfeedback-terms](https://www.lego.com/productfeedback-terms)

The Williams name, logo and car design are trademarks and/or intellectual property rights of the Williams Group and are used under licence. Williams logos, images and data © 2025 Williams. All rights reserved.

The F1 logo, FORMULA 1, F1, GRAND PRIX and related marks are trademarks of Formula One Licensing BV, a Formula 1 company. All rights reserved.

OFFICIAL LICENSEE OF FORMULA 1®

LEGO and the LEGO logo are trademarks of the LEGO Group.
©2025 The LEGO Group.

6566095