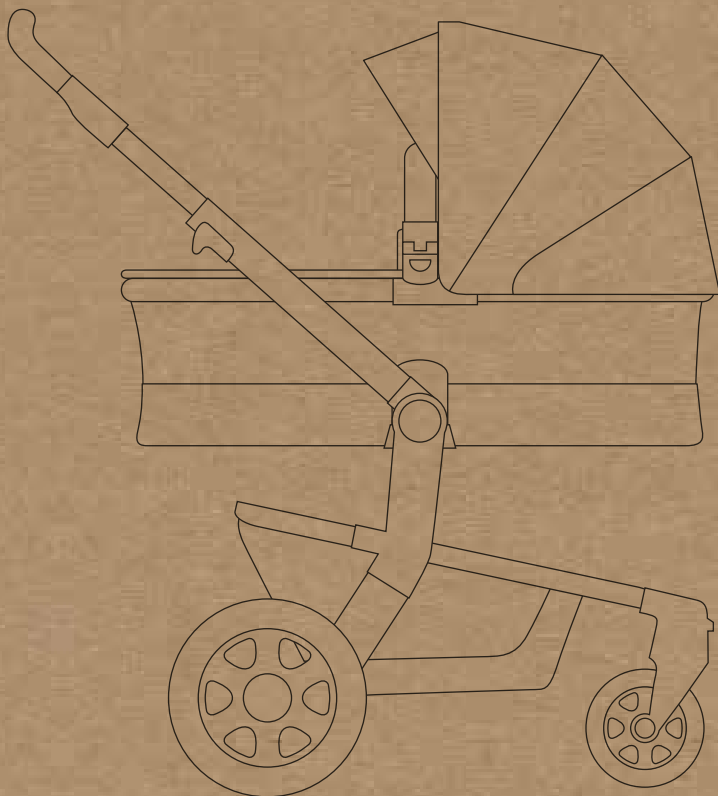


instruction manual

# Joolz Hub carry cot

designed in The Netherlands



**JOO LZ** POSITIVE DESIGN  
stroll around the world of joolz.com

en	instruction manual	ee	kasutusjuhend
de	Gebrauchsanweisung	lv	lietošanas instrukcija
nl	gebruiksaanwijzing	lt	instrukcijų vadovas
fr	manuel d'instructions	sl	navodila za uporabo
es	manual de instrucciones	hr	priručnik za upotrebu
pt	manual de instruções	cs	návod k použití
it	manuale di istruzioni	bg	инструкция
sv	bruksanvisning	ro	manual de instrucțiuni
no	bruksanvisning	sr	priručnik za upotrebu
fi	käyttöopas	hu	használati útmutató
da	instruktioner	sk	návod na použitie
ru	инструкция по эксплуатации	gr	οδηγίες χρήσης
pl	instrukcja obsługi	ar	دليل تعليمات الاستعمال
uk	інструкція з експлуатації	za	handleiding

At Joolz, we believe that good parenting is all about being happy. That's why we offer you the building blocks to spark your life with positivity. So, whatever defines your happiness, go after it and live it. Our ergonomic pushchairs, car seats and (organic) accessories are designed to make sure you enjoy the ride.

let's grow together

Brand of:  
Milk Design BV

**Joolz HQ**  
Distelweg 89  
1031 HD Amsterdam  
The Netherlands  
[info@joolz.com](mailto:info@joolz.com)  
+31 206 304 887

**Joolz USA Inc.**  
PO Box 4530  
New York  
NY 10163-4530  
[info.us@joolz.com](mailto:info.us@joolz.com)  
+1 (347) 252-4556

[joolz.com](http://joolz.com)  
[facebook.com/myJoolz](https://facebook.com/myJoolz)



**JOOLZ** POSITIVE  
DESIGN

# index

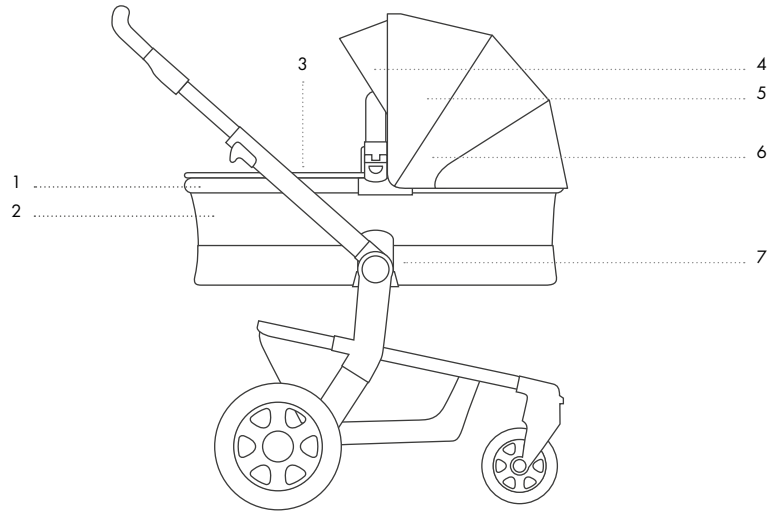
<b>introducing the Joolz Hub carry cot</b> Wir stellen den Joolz Hub Wanne vor	8
<b>what's in the box?</b> Was ist im Karton?	9
<b>get me ready!</b> Vorbereitung	10
<b>how to use</b> Nutzungshinweise	
<b>how to use the carry cot</b> Wie nutze ich die Wanne?	15
<b>how to use the brake</b> Nutzungshinweise - Bremse	16
<b>warnings</b> Warnhinweise	18
<b>maintenance</b> Pflege	19
<b>warranty</b> Garantie	19



how to movies:  
[www.youtube.com/JoolzHQ](http://www.youtube.com/JoolzHQ)

# introducing the Joolz Hub carry cot

Wir stellen den Joolz Hub Wanne vor



- 1. cot/seat frame Wannen-/Sitzrahmen
- 2. cot fabric Wannenbekleidung
- 3. cot cover Wannenabdeckung
- 4. extended sun hood Erweitertes Verdeck
- 5. sun hood fabric Sonnenverdeck
- 6. hood hinge Verdeckscharnier
- 7. unlock buttons Entriegelungsknopf

## sizes Maße

cot inside Wanne innen  
cot mattress size Matratzengröße Wanne

76x32x17 cm / 30x13x7 in  
81x36x22 cm / 30x13x1 in

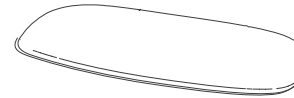
## weights Gewichtsangaben

cot Wanne

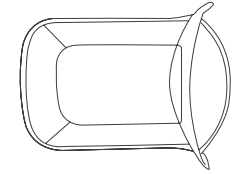
4,1 kg / 9 lbs

# what's in the box?

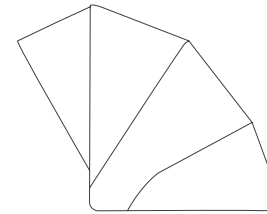
Was ist im Karton?



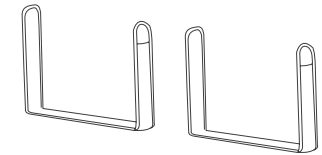
1 x mattress  
Matratze



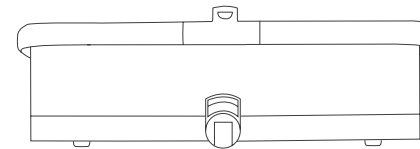
1 x cot cover  
Wannenabdeckung



1 x sun hood  
Sonnenverdeck



2 x cot tensioner  
Wannenspanner



1 x cot frame  
Wannenrahmen

## reusable packaging

### hello urban city, goodbye box

see all the possibilities on [joolz.com](http://joolz.com)



## lifetime warranty

### stroll always & forever

apply your warranty on [register.joolz.com](http://register.joolz.com)

## Birth Forest

### one pushchair, one tree

experience our meaningful journey on [joolz.com](http://joolz.com)





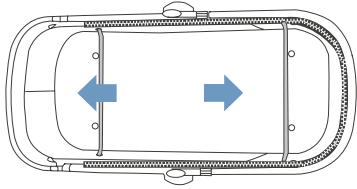
# get me ready!

Vorbereitung

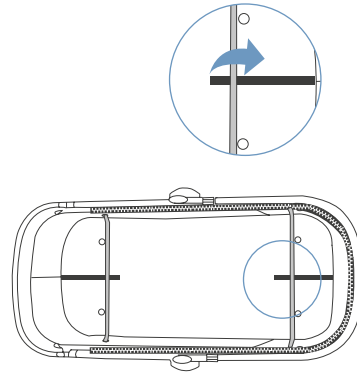


5 min

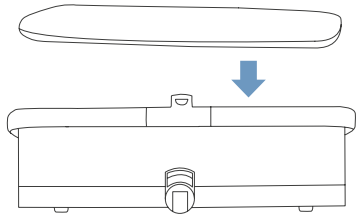
1



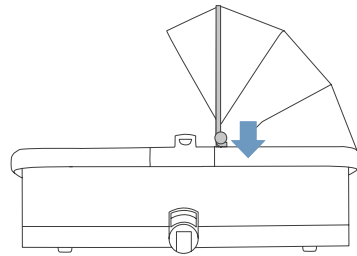
2



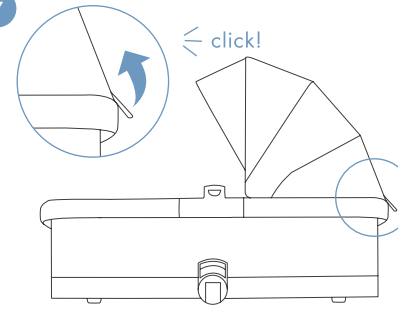
3



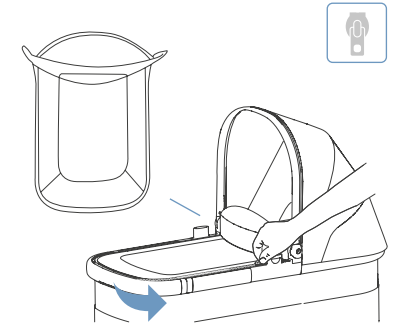
4



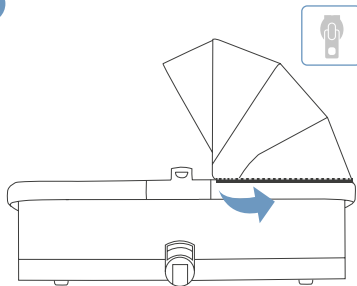
7



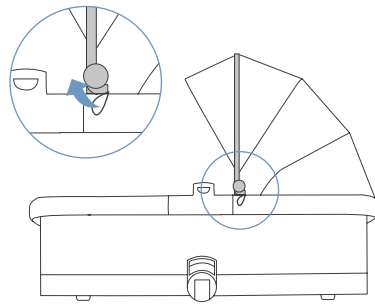
8



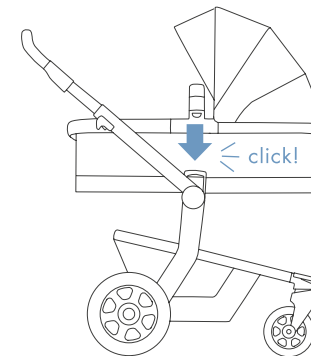
5



6



10



**WARNING:** to avoid injury ensure that your child/children are safe from moving parts when unfolding, folding and adjusting this product.

**WARNUNG:** Vergewissern Sie sich, dass Ihr Kind beim Aufklappen und Zusammenklappen des Wagens außer Reichweite ist, um Verletzungen zu vermeiden.



# how to use

Nutzungshinweise

## how to use the carry cot

Wie nutze ich die Wanne?

14

## how to use the brake

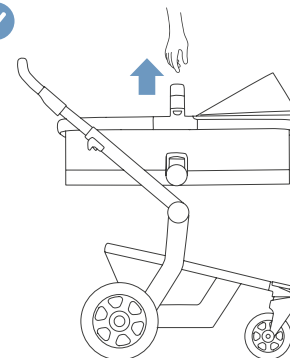
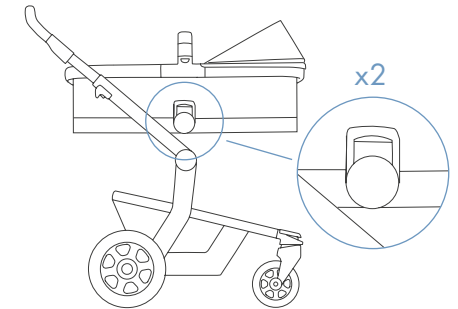
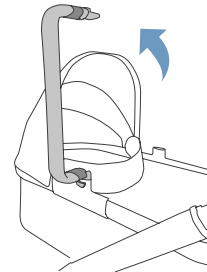
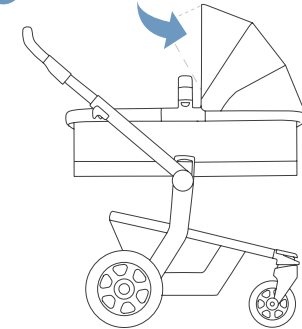
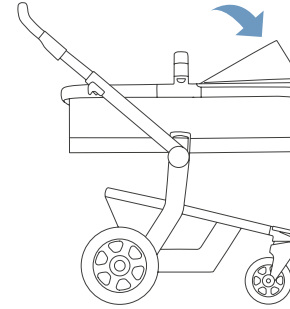
Nutzungshinweise - Bremse

17



# how to use the carry cot

Wie nutze ich die Wanne?

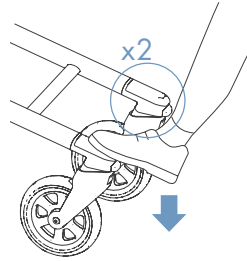
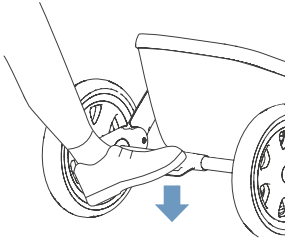






## how to use the brake

Nutzungshinweise Bremse



**WARNING:** always apply the swivel lock on the front wheels when folding the pushchair. Failing to do so can result in obstruction of the tyres, leading to deformation, especially in a hot environment.

**WARNUNG:** Stellen Sie die Schwenkräder immer fest, wenn Sie den Kinderwagen zusammenklappen. Wenn Sie dies versäumen, kann dies, vor allem in heißer Umgebung, zur Beschädigung und Verformung der Vorderräder führen.

**IMPORTANT:** PLEASE READ THESE INSTRUCTIONS CAREFULLY BEFORE USAGE AND KEEP THEM FOR FUTURE REFERENCE.

## **WARNING** FOR THE CARRY COT

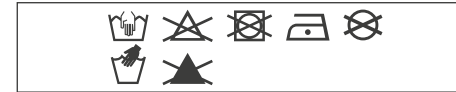
- + The Joolz Hub cot is suitable for a child who cannot sit up by itself, roll over and cannot push itself up on its hands and knees. Maximum weight of the child: 9 kg.
- + This product is only suitable for a child who cannot sit up unaided.
- + Only use on a firm, horizontal level and dry surface.
- + Do not let other children play unattended near the carrycot.
- + Do not use if any part of the carrycot is broken, torn or missing.
- + Keep the Joolz Hub away from open fires and other sources of heat, such as electric bar heaters, gas fires, etc.
- + The handles and the bottom of the carrycot should be inspected regularly for signs of damage and wear.
- + Always ensure that the bumper bar is correctly engaged to the cot/seat units before use.
- + The head of the child in the carrycot should never be lower than the body of the child.
- + Don't put an additional mattress on the mattress provided by Joolz.
- + Only spare parts supplied or recommended by Joolz should be used.

**Suffocation Hazard:** Infant carrier can roll over on soft surfaces and suffocate child. **NEVER** place carrier on beds, sofas, or other soft surfaces.

**Fall Hazard:** Child's movement can slide carrier. **NEVER** place carrier near edges of counter tops, tables, or other elevated surfaces.

## **MAINTENANCE / WASHING INSTRUCTIONS**

Clean the fabric with lukewarm water and soap. Rinse with fresh water and leave to dry. Never use bleach or other chemical detergents. Periodically (approximately once a month) treat the wheels and metal parts with Teflon or silicon spray to ensure the pushchair continues to run smoothly.



The aluminium parts of your Hub pushchair are anodized to protect it from external influences such as corrosion. Anodized aluminium parts are vulnerable to acidic cleaners or grease, which can cause stains and discoloration of the aluminium parts. We therefore advise you to clean the aluminum parts of your pushchair with warm water and a soft cloth.

## **WARRANTY**

Joolz offers lifetime warranty on the Joolz Hub. The warranty covers all material and manufacturing faults, but not the exchange or return of the product. To be eligible for the lifetime warranty, all you have to do is register your Joolz pushchair on [register.joolz.com](https://register.joolz.com) within six months of purchase and keep your original proof of purchase including a purchase date. If you do not register your Joolz pushchair within six months after purchase, you will receive a two-year warranty.

The warranty is only valid if you supply the following items to your retailer along with the defective product:

- 1) Your warranty certificate,
- 2) Any form of personal identification,
- 3) A copy of the receipt of purchase (including a purchase date),
- 4) A detailed description of the defect.

You will receive the warranty certificate after you have registered your Joolz pushchair on our website [register.joolz.com](https://register.joolz.com).

If your retailer cannot assist you with your complaint, contact Joolz. Please note, any repairs do not extend the warranty period.

## **THE WARRANTY DOES NOT COVER:**

- 1) Defects caused by ordinary wear and tear, such as worn wheels and fabrics by everyday use, scratches on the aluminium and/or metal and natural discoloration of materials over time or by not following the maintenance instructions.
- 2) Damage to wheels such as holes and tears.
- 3) Damage caused by accidents, improper use, negligence, fire, contact with liquids or another external cause.
- 4) Damage resulting from non-compliance with the instruction manual, instruction movies or other Joolz guidelines.
- 5) Damage caused by another product, including accessories.
- 6) Damage by service or repair by an unofficial representative of Joolz.
- 7) Theft.
- 8) Air transportation or freight damage.

Safety was an important consideration throughout the development of the Joolz Hub pushchair and cot. Our products therefore meet the following safety standards:

Europe: EN 1888:2012 / EN 1466:2014/AC: 2015  
 United States: ASTM F833-15 / ASTM F2050-16  
 Canada: SOR/2016-167  
 Australia: AS/NZS 2088:2013

Please visit [joolz.com](https://joolz.com), [facebook.com/myjoolz](https://facebook.com/myjoolz) or contact your retailer for any questions and/or comments.

**IMPORTANT:** PLEASE READ THESE INSTRUCTIONS CAREFULLY BEFORE USAGE AND KEEP THEM FOR FUTURE REFERENCE.

**FOLLOW THE MANUFACTURER'S INSTRUCTION.**

## **WARNING** FOR THE CARRY COT

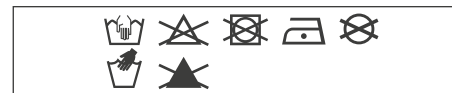
- + The Joolz Hub cot is suitable for a child who cannot sit up by itself, roll over and cannot push itself up on its hands and knees. Maximum weight of the child: 9 kg.
- + This product is only suitable for a child who cannot sit up unaided.
- + Only use on a firm, horizontal level and dry surface.
- + Do not let other children play unattended near the carrycot.
- + Do not use if any part of the carrycot is broken, torn or missing.
- + Keep the Joolz Hub away from open fires and other sources of heat, such as electric bar heaters, gas fires, etc.
- + The handles and the bottom of the carrycot should be inspected regularly for signs of damage and wear.
- + Always ensure that the bumper bar is correctly engaged to the cot/seat units before use.
- + The head of the child in the carrycot should never be lower than the body of the child.
- + Don't put an additional mattress on the mattress provided by Joolz.
- + Only spare parts supplied or recommended by Joolz should be used.

**Suffocation Hazard:** Infant carrier can roll over on soft surfaces and suffocate child. **NEVER** place carrier on beds, sofas, or other soft surfaces.

**Fall Hazard:** Child's movement can slide carrier. **NEVER** place carrier near edges of counter tops, tables, or other elevated surfaces.

## **MAINTENANCE / WASHING INSTRUCTIONS**

Clean the fabric with lukewarm water and soap. Rinse with fresh water and leave to dry. Never use bleach or other chemical detergents. Periodically (approximately once a month) treat the wheels and metal parts with Teflon or silicon spray to ensure the pushchair continues to run smoothly.



The aluminium parts of your Hub pushchair are anodized to protect it from external influences such as corrosion. Anodized aluminium parts are vulnerable to acidic cleaners or grease, which can cause stains and discoloration of the aluminium parts. We therefore advise you to clean the aluminium parts of your pushchair with warm water and a soft cloth.

## **WARRANTY**

Our goods come with guarantees that cannot be excluded under the Australian Consumer Law. You are entitled to a replacement or refund for a major failure and for compensation for any other reasonably foreseeable loss or damage. You are also entitled to have the goods repaired or replaced if the goods fail to be of acceptable quality and the failure does not amount to a major failure.

Joolz offers lifetime warranty on the Joolz Hub. The warranty covers all material and manufacturing faults, but not the exchange or return of the product. To be eligible for the lifetime warranty, all you have to do is register your Joolz pushchair on [register.joolz.com](http://register.joolz.com) within six months of purchase and keep your original proof of purchase including a purchase date. If you do not register your Joolz pushchair within six months after purchase, you will receive a two-year warranty.

The warranty is only valid if you supply the following items to Anstel Brands along with the defective product:

- 1) Your warranty certificate,
- 2) Any form of personal identification,
- 3) A copy of the receipt of purchase (including a purchase date),
- 4) A detailed description of the defect.

You will receive the warranty certificate after you have registered your Joolz pushchair on our website [register.joolz.com](http://register.joolz.com).

Please contact Anstel Brands for any warranty claims. Please note, any repairs do not extend the warranty period.

## **THE WARRANTY DOES NOT COVER:**

- 1) Defects caused by ordinary wear and tear, such as worn wheels and fabrics by everyday use, scratches on the aluminium and/or metal and natural discoloration of materials over time or by not following the maintenance instructions.
- 2) Damage to wheels such as holes and tears.
- 3) Damage caused by accidents, improper use, negligence, fire, contact with liquids or another external cause.
- 4) Damage resulting from non-compliance with the instruction manual, instruction movies or other Joolz guidelines.
- 5) Damage caused by another product, including accessories.
- 6) Damage by service or repair by an unofficial representative of Joolz.
- 7) Theft.
- 8) Air transportation or freight damage.

## **SAFETY**

Safety was an important consideration throughout the development of the Joolz Hub pushchair and cot. Our products therefore meet the following safety standards:

Europe: EN 1888:2012 / EN 1466:2014/AC: 2015  
 United States: ASTM F833-15 / ASTM F2050-16  
 Canada: SOR/2016-167  
 Australia: AS/NZS 2088:2013

**IMPORTANT:** PLEASE READ THESE INSTRUCTIONS CAREFULLY BEFORE USAGE AND KEEP THEM FOR FUTURE REFERENCE.

## **WARNING** FOR THE BASSINET

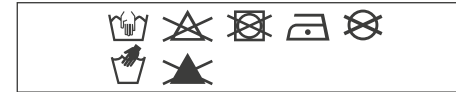
- + The Joolz Hub bassinet is suitable for a child who cannot sit up by itself, roll over and cannot push itself up on its hands and knees. Maximum weight of the child: 20 lbs/9 kg.
- + This product is only suitable for a child who cannot sit up unaided.
- + Only use on a firm, horizontal level and dry surface.
- + Do not let other children play unattended near the carrybassinet.
- + Do not use if any part of the carrybassinet is broken, torn or missing.
- + Keep the Joolz Hub away from open fires and other sources of heat, such as electric bar heaters, gas fires, etc.
- + The handles and the bottom of the carrybassinet should be inspected regularly for signs of damage and wear.
- + Always ensure that the bumper bar is correctly engaged to the bassinet/seat units before use.
- + The head of the child in the carrybassinet should never be lower than the body of the child.
- + Don't put an additional mattress on the mattress provided by Joolz.
- + Only spare parts supplied or recommended by Joolz should be used.

**Suffocation Hazard:** Infant carrier can roll over on soft surfaces and suffocate child. **NEVER** place carrier on beds, sofas, or other soft surfaces.

**Fall Hazard:** Child's movement can slide carrier. **NEVER** place carrier near edges of counter tops, tables, or other elevated surfaces.

## **MAINTENANCE / WASHING INSTRUCTIONS**

Clean the fabric with lukewarm water and soap. Rinse with fresh water and leave to dry. Never use bleach or other chemical detergents. Periodically (approximately once a month) treat the wheels and metal parts with Teflon or silicon spray to ensure the stroller continues to run smoothly.



The aluminium parts of your Hub stroller are anodized to protect it from external influences such as corrosion. Anodized aluminium parts are vulnerable to acidic cleaners or grease, which can cause stains and discoloration of the aluminium parts. We therefore advise you to clean the aluminum parts of your stroller with warm water and a soft cloth.

## **WARRANTY**

Joolz offers lifetime warranty on the Joolz Hub. The warranty covers all material and manufacturing faults, but not the exchange or return of the product. To be eligible for the lifetime warranty, all you have to do is register your Joolz stroller on [register.joolz.com](https://register.joolz.com) within six months of purchase and keep your original proof of purchase including a purchase date. If you do not register your Joolz stroller within six months after purchase, you will receive a two-year warranty. The warranty is only valid if you supply the following items to your retailer along with the defective product:

- 1) Your warranty certificate,
- 2) Any form of personal identification,
- 3) A copy of the receipt of purchase (including a purchase date),
- 4) A detailed description of the defect.

You will receive the warranty certificate after you have registered your Joolz stroller on our website [register.joolz.com](https://register.joolz.com).

If your retailer cannot assist you with your complaint, contact Joolz. Please note, any repairs do not extend the warranty period.

## **THE WARRANTY DOES NOT COVER:**

- 1) Defects caused by ordinary wear and tear, such as worn wheels and fabrics by everyday use, scratches on the aluminium and/or metal and natural discoloration of materials over time or by not following the maintenance instructions.
- 2) Damage to wheels such as holes and tears.
- 3) Damage caused by accidents, improper use, negligence, fire, contact with liquids or another external cause.
- 4) Damage resulting from non-compliance with the instruction manual, instruction movies or other Joolz guidelines.
- 5) Damage caused by another product, including accessories.
- 6) Damage by service or repair by an unofficial representative of Joolz.
- 7) Theft.
- 8) Air transportation or freight damage.

Safety was an important consideration throughout the development of the Joolz Hub stroller and cot. Our products therefore meet the following safety standards:

Europe: EN 1888:2012 / EN 1466:2014/AC: 2015  
 United States: ASTM F833-15 / ASTM F2050-16  
 Canada: SOR/2016-167  
 Australia: AS/NZS 2088:2013

Please visit [joolz.com](https://joolz.com), [facebook.com/myjoolz](https://facebook.com/myjoolz) or contact your retailer for any questions and/or comments.

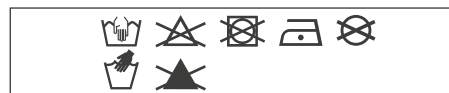
**WICHTIG:** BITTE LESEN SIE SICH DIESE ANWEISUNGEN VOR DER VERWENDUNG SORGFÄLTIG DURCH UND BEWAHREN SIE SIE FÜR REFERENZZWECKE AUF.

## ⚠️ WARNUNG FÜR DIE WANNE

- + Die Joolz Hub Wanne ist geeignet für ein Kind, das nicht ohne Hilfe aufrecht sitzen, herumrollen oder sich mit den Händen und Knien hochdrücken kann. Höchstgewicht des Kindes: 9 kg.
- + Dieses Produkt ist nur für Kinder geeignet, die ohne Hilfe nicht aufrecht sitzen können.
- + Nur auf einem festen, horizontalen und trockenen Untergrund verwenden.
- + Lassen Sie andere Kinder nicht unbeaufsichtigt neben der Wanne spielen.
- + Verwenden Sie das Produkt nicht, wenn ein Teil der Wanne zerbrochen oder zerrissen ist oder ganz fehlt.
- + Halten Sie den Joolz Hub fern von offenem Feuer und anderen Wärmequellen, wie z.B. elektrischen Stabheizungen, Gasfeuer usw.
- + Die Griffe und die Unterseite der Babytragetasche sollten regelmäßig auf Schäden und Verschleiß geprüft werden
- + Stellen Sie vor Verwendung sicher, dass der Sicherheitsbügel ordnungsgemäß an der Wanne oder Sitzeinheit befestigt ist.
- + Der Kopf des Kindes in der Wanne sollte niemals tiefer als sein Körper liegen.
- + Legen Sie auf die von Joolz gelieferte Matratze keine weitere Matratze.
- + Verwenden Sie nur Ersatzteile, die von Joolz geliefert oder empfohlen werden.

## WARTUNG/WASCHANLEITUNG

Reinigen Sie den Stoff mit lauwarmem Wasser und Seife. Spülen Sie ihn mit frischem Wasser und lassen Sie ihn trocknen. Verwenden Sie keine Bleichmittel oder chemischen Reinigungsmittel. Behandeln Sie die Räder und Metallteile in regelmäßigen Abständen (etwa einmal pro Monat) mit Teflon- oder Silikonspray um sicherzustellen, dass der Kinderwagen weiter reibungslos fährt.



Die Aluminiumteile Ihres Hub-Kinderwagens sind eloxiert, um sie vor externen Einflüssen wie Rost zu schützen. Eloxierete Aluminiumteile reagieren empfindlich auf säurehaltige Reinigungsmittel oder Fett, was zu Flecken oder Verfärbungen der Aluminiumteile führen kann. Wir raten Ihnen aus diesem Grund, die Aluminiumteile Ihres Kinderwagens mit warmem Wasser und einem weichen Tuch zu reinigen.

## GARANTIE

Joolz bietet eine lebenslange Garantie auf den Joolz Hub. Die Garantie umfasst alle Material- und Herstellungsfehler, nicht aber den Umtausch und die Rückgabe des Produktes. Für den Anspruch auf die lebenslange Garantie musst Du Deinen Joolz-Kinderwagen einfach innerhalb von sechs Monaten nach dem Kauf auf [register.joolz.com](http://register.joolz.com) registrieren und Deinen Originalkaufbeleg mit Kaufdatum aufbewahren. Wenn Du Deinen Joolz-Kinderwagen nicht innerhalb von sechs Monaten nach dem Kauf registrierst, erhältst Du eine zweijährige Garantie.

Die Garantie kann nur gewährleistet werden, wenn Folgendes zusammen mit dem defekten Produkt beim Händler vorgelegt wird:

- 1) Dein garantiezerifikat,
- 2) Jede form einer persönlichen identifikation,
- 3) Eine kopie des kaufbelegs (einschließlich kaufdatum),
- 4) Eine detaillierte beschreibung des mangels.

Du erhältst das Garantiezertifikat, nachdem Du Deinen Joolz-Kinderwagen auf unserer Website [register.joolz.com](http://register.joolz.com) registriert hast.

Wenn Dein Händler bei der Reklamation nicht weiterhelfen kann, wende Dich bitte an Joolz. Bitte beachte, dass Reparaturen den Garantiezeitraum nicht verlängern.

## DIE GARANTIE DECKT FOLGENDES NICHT AB:

- 1) Defekte, die durch gewöhnlichen Verschleiß verursacht werden, wie z. B. abgenutzte Räder und Stoffe bei alltäglichem Gebrauch, Kratzer auf dem Aluminium und/oder Metall und natürliche Verfärbung von Materialien im Laufe der Zeit oder bei Nichtbeachtung der Wartungsanweisungen.
- 2) Schäden an den Rädern, wie Löcher oder Risse.
- 3) Schäden durch Unfälle, unsachgemäßen Gebrauch, Fahrlässigkeit, Feuer, Kontakt mit Flüssigkeiten oder anderen äußeren Ursachen.
- 4) Schäden, die sich aus der Nichtbeachtung der Bedienungsanleitung, Anleitungsvideos oder anderer Joolz-Richtlinien ergeben.
- 5) Schäden, die durch ein anderes Produkt, einschließlich Accessoires, verursacht werden.
- 6) Schäden durch eine Wartung oder Reparatur durch einen inoffiziellen Vertreter von Joolz.
- 7) Diebstahl.
- 8) Lufttransport- oder Frachtschäden.

Die Sicherheit war bei der gesamten Entwicklung des Joolz Hub-Kinderwagens und der Wanne ein wichtiger Aspekt. Unsere Produkte erfüllen daher folgende Sicherheitsstandards:

Europa: EN 1888:2012 / EN 1466:2014/AC: 2015  
 USA: ASTM F833-15 / ASTM F2050-16  
 Kanada: SOR/2016-167  
 Australien: AS/NZS 2088:2013

Bei Fragen und/oder Anmerkungen kannst Du [joolz.com](http://joolz.com), [facebook.com/myjoolz](https://facebook.com/myjoolz) besuchen, oder Dich an Deinen Händler wenden.

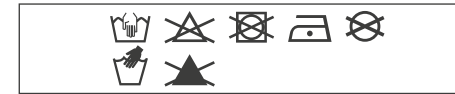
**BELANGRIJK:** NEM DEZE AANWIJZINGEN VOOR GEBRUIK ZORGVULDIG DOOR EN BEWAAR ZE VOOR TOEKOMSTIG GEBRUIK.

## **WAARSCHUWING** VOOR DE REISWIEG

- + De wieg van de Joolz Hub is geschikt voor kinderen die niet zelfstandig kunnen zitten, die zich niet kunnen omdraaien en die niet op handen en knieën kunnen gaan zitten. Maximaal gewicht van het kind: 9 kg.
- + Dit product is alleen geschikt voor kinderen die niet zelfstandig kunnen blijven zitten.
- + Alleen gebruiken op een solide, egaal en droog oppervlak.
- + Laat andere kinderen niet zonder toezicht in de buurt van de reiswieg spelen.
- + Niet gebruiken als er onderdelen van de reiswieg beschadigd, gescheurd of incompleet zijn.
- + Houd de Joolz Hub uit de buurt van open vuur en andere hittebronnen, zoals kookplaten, gashaarden etc.
- + Controleer de handgrepen en de onderkant van de reiswieg regelmatig op beschadigingen en slijtage.
- + Zorg dat de veiligheidsbeugel voor gebruik correct is bevestigd aan de wieg of het stoeltje.
- + Het hoofd van het kind in de reiswieg mag nooit lager liggen dan het lichaam van het kind.
- + Plaats geen extra matras op het matras van Joolz.
- + Gebruik alleen reserve onderdelen die door Joolz worden geleverd of aanbevolen.

## **AANWIJZINGEN VOOR ONDERHOUD/REINIGING**

Reinig de stof met lauw water en zeep. Spoel af met schoon water en laat drogen. Gebruik geen bleek of andere chemische reinigingsmiddelen. Behandel de wielen en de metalen onderdelen regelmatig (ongeveer een keer per maand) met Teflon of met siliconenspray, zodat de kinderwagen soepel blijft werken.



De aluminium onderdelen van de Hub kinderwagen zijn geanodiseerd en daardoor beschermd tegen externe invloeden zoals corrosie. Geanodiseerde aluminium onderdelen zijn slecht bestand tegen zure schoonmaakmiddelen of vet, waardoor vlekken en verkleuringen kunnen ontstaan. Wij raden dan ook aan om de aluminium onderdelen van de kinderwagen te reinigen met warm water en een zachte doek.

## **GARANTIE**

Joolz biedt levenslange garantie op de Joolz Hub. Alle materiaal- en fabricagefouten worden gedekt door de garantie, maar dit geldt niet voor het ruilen of terugbrengen van het product. In aanmerking komen voor de levenslange garantie? Registreer je kinderwagen binnen zes maanden op [register.joolz.com](http://register.joolz.com) en bewaar het originele aankoopbewijs met de aankoopdatum. Indien je jouw Joolz kinderwagen niet registreert binnen zes maanden na aankoop, dan krijg je standaard een garantie van twee jaar.

De garantie is alleen geldig als het defecte product bij de winkelier wordt afgeleverd samen met het volgende:

- 1) Je garantiecertificaat,
- 2) Een legitiematiebewijs,
- 3) Een kopie van het aankoopbewijs (met aankoopdatum),
- 4) Een uitgebreide beschrijving van het mankement.

Het garantiecertificaat krijg je nadat je jouw Joolz kinderwagen hebt geregistreerd op de website [register.joolz.com](http://register.joolz.com).

Neem contact op met Joolz, als je winkelier je niet kan helpen met je klacht. Let op: de garantieperiode wordt niet verlengd als er reparaties moeten worden uitgevoerd.

## **HET VOLGENDE WORDT NIET GEDEKT DOOR DE GARANTIE:**

- 1) Gebreken die worden veroorzaakt door gewone slijtage, zoals wielen en stoffen die versleten raken door alledaags gebruik, krassen op het aluminium en/of metaal en de natuurlijke verkleuring van materialen die na verloop van tijd ontstaat, of door het niet opvolgen van de onderhoudsvoorschriften.
- 2) Schade aan wielen, zoals gaten en scheuren.
- 3) Schade door ongelukken, oneigenlijk gebruik, nalatigheid, vuur, contact met vloeistoffen of een andere externe oorzaak.
- 4) Schade als gevolg van het niet opvolgen van de gebruiksaanwijzing, instructiefilms of andere richtlijnen van Joolz.
- 5) Schade door toedoen van een ander product, inclusief accessoires.
- 6) Schade door service of reparatie door iemand die geen officiële vertegenwoordiger is van Joolz.
- 7) Diefstal.
- 8) Luchttransport of vrachtschade.

Tijdens het ontwikkelen van de Joolz Hub kinderwagen en wieg werd veel aandacht besteed aan veiligheid. Onze producten voldoen derhalve aan de volgende veiligheidsstandaarden:

Europa: EN 1888:2012 / EN 1466:2014/AC: 2015  
Verenigde Staten: ASTM F833-15 / ASTM F2050-16  
Canada: SOR/2016-167  
Australië: AS/NZS 2088:2013

Vragen of opmerkingen? Ga naar [my.joolz.com](http://my.joolz.com), [facebook.com/myjoolz](https://facebook.com/myjoolz) of neem contact op met je winkelier.

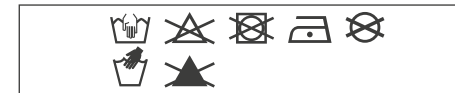
**IMPORTANT:** VEUILLEZ LIRE ATTENTIVEMENT CES INSTRUCTIONS AVANT D'UTILISER LA POUSSETTE ET CONSERVEZ-LES POUR FUTURE RÉFÉRENCE.

## **AVERTISSEMENT** RELATIFS À LA NACELLE

- + La nacelle Joolz Hub ne convient qu'aux enfants qui ne peuvent pas encore s'asseoir seuls, se tourner, ou se lever sur les mains et les genoux. Poids maximum de l'enfant: 9 kg.
- + Ce produit ne convient qu'aux enfants qui ne peuvent pas encore s'asseoir seuls.
- + N'utilisez que sur une surface horizontale ferme, plane et sèche.
- + Ne laissez pas d'autres enfants jouer à proximité de la nacelle sans surveillance.
- + N'utilisez pas la nacelle si une pièce est cassée, usée ou manquante.
- + Tenir la Joolz Hub à l'écart des foyers ouverts et autres sources de chaleur, tels que les chauffages électriques, au gaz, etc.
- + Les poignées et le fond de la nacelle devraient être régulièrement examinés pour détecter tout dommage ou signe d'usure.
- + Vérifiez toujours que l'arceau de sécurité est correctement fixé à la nacelle/au siège avant toute utilisation.
- + Lorsque vous placez votre enfant dans la nacelle, veillez toujours à ce que sa tête soit positionnée plus haut que son corps.
- + Ne placez pas de matelas supplémentaire sur le matelas fourni par Joolz.
- + Seules les pièces de rechange fournies ou recommandées par Joolz devraient être utilisées.

## **CONSIGNES D'ENTRETIEN/DE NETTOYAGE**

Nettoyez la housse à l'eau tiède et au savon. Rincez à l'eau froide et laissez sécher. N'utilisez jamais d'eau de javel ni d'autres détergents chimiques. Traitez régulièrement (environ une fois par mois) les roues et pièces métalliques avec un spray de Téflon ou de silicone, pour que la poussette continue de rouler correctement.



Les pièces en aluminium de votre poussette Hub sont anodisées pour les protéger des éléments externes, tels que la corrosion. Les pièces en aluminium anodisé sont vulnérables aux nettoyants acides ou aux graisses, qui peuvent provoquer des taches et une décoloration des pièces en aluminium. Nous vous conseillons de nettoyer les pièces en aluminium de votre poussette à l'eau chaude et avec un chiffon doux.

## **GARANTIE**

Joolz offre une garantie à vie sur la Joolz Hub. Cette garantie couvre tous les défauts de matériel et de fabrication, mais pas l'échange ou le retour du produit. Pour bénéficier de la garantie à vie, il vous suffit d'enregistrer votre poussette Joolz sur [register.joolz.com](https://register.joolz.com) au cours des six mois suivant son achat et de conserver votre reçu d'origine où figure la date d'achat. Si vous n'enregistrez pas votre poussette Joolz dans les six mois suivant son achat, vous bénéficierez d'une garantie de deux ans.

La garantie n'est valable que si vous présentez les éléments suivants à votre revendeur en même temps que le produit défectueux:

- 1) Votre certificat de garantie,
- 2) Une pièce d'identité,
- 3) Une copie de la preuve d'achat (précisant la date d'achat),
- 4) Une description détaillée du défaut.

Vous recevrez le certificat après avoir enregistré votre poussette Joolz sur notre site Internet [register.joolz.com](https://register.joolz.com).

Si votre revendeur ne peut répondre à votre demande, contactez Joolz. Veuillez noter que les réparations ne prolongent pas la période de garantie.

## **LA GARANTIE NE COUVRE PAS:**

- 1) Les défauts causés par l'usure normale, comme l'usure des roues et des tissus liée à l'usage quotidien, les rayures sur l'aluminium et/ou le métal et la décoloration naturelle des matériaux dans le temps, ni les dégâts dus au non-respect des instructions d'entretien.
- 2) Les dégâts subis par les roues, tels que trous et déchirures.
- 3) Les dégâts causés par des accidents, une mauvaise utilisation, la négligence, le feu, le contact avec des liquides ou toute autre cause externe.
- 4) Les dégâts résultant du non-respect des consignes du mode d'emploi, des vidéos explicatives ou d'autres directives de Joolz.
- 5) Les dégâts causés par un autre produit, y compris les accessoires.
- 6) Les dégâts consécutifs à un entretien ou une réparation effectués par un représentant non officiel de Joolz.
- 7) Le vol.
- 8) Les dégâts subis pendant le transport aérien ou ordinaire.

La sécurité est au cœur du développement de la poussette et de la nacelle Joolz Hub. Nos produits respectent donc les normes de sécurité les plus strictes :

Europe: EN 1888:2012 / EN 1466:2014/AC: 2015  
États-Unis: ASTM F833-15 / ASTM F2050-16  
Canada: SOR/2016-167  
Australie: AS/NZS 2088:2013

Veillez consulter [my-joolz.fr](https://my-joolz.fr), [facebook.com/myjoolz](https://facebook.com/myjoolz) ou contacter votre revendeur pour toute question et/ou commentaire.

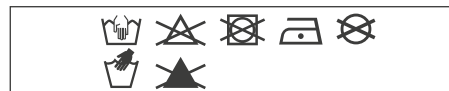
**IMPORTANTE:** LEE ESTAS INSTRUCCIONES CUIDADOSAMENTE ANTES DE USAR Y GUÁRDALAS PARA CONSULTAS FUTURAS.

## **ADVERTENCIA** **PARA EL CAPAZO**

- + El capazo del Joolz Hub es adecuado para niños que no pueden sentarse sin ayuda, girar ni levantarse con la ayuda de las manos y las rodillas. Peso máximo del niño: 9 kg.
- + Este producto solo es adecuado para niños que no pueden sentarse sin ayuda.
- + Usar solo sobre una superficie firme, horizontal y seca.
- + No deje que otros niños jueguen sin supervisión cerca del capazo.
- + No utilizar si una pieza del capazo está rota, desgastada o faltante.
- + Mantener el Joolz Hub lejos de llamas abiertas y otras fuentes de calor, tales como estufas eléctricas, quemadores de gas, etc.
- + Las asas y la parte inferior del capazo deben inspeccionarse periódicamente para detectar signos de daños y desgaste.
- + Comprobar que la barra de seguridad está colocada correctamente al capazo o la sillita antes de usarla.
- + La cabeza del niño colocado en el capazo no debe ir en una posición más baja que el resto del cuerpo.
- + No colocar un colchón adicional sobre el colchón proporcionado por Joolz.
- + Solo deben usarse piezas de repuesto suministradas o recomendadas por Joolz.

## **INSTRUCCIONES DE LAVADO/ MANTENIMIENTO**

Limpia el tejido con agua templada y jabón. Aclara el tejido con agua limpia y deja secar al aire. No utilices lejías ni otros detergentes abrasivos. Trata las ruedas y las otras piezas metálicas periódicamente (una vez al mes aprox.) con spray de silicona o teflón para garantizar un funcionamiento correcto del carrito.



Las piezas de aluminio del carrito Hub están anodizadas para protegerlo de las influencias externas tales como la corrosión. Las piezas de aluminio anodizado son vulnerables a la grasa y los detergentes ácidos, lo que puede provocar manchas y decoloración de las piezas de aluminio. Por lo tanto, recomendamos limpiar las piezas de aluminio de su carrito con agua templada y un paño suave.

## **GARANTÍA**

Joolz ofrece garantía de por vida en el Joolz Hub. La garantía cubre todos los defectos de materiales y fabricación, pero no el cambio o la devolución del producto. Para ser elegible para la garantía de por vida, todo lo que tienes que hacer es registrar tu carrito de Joolz en [register.joolz.com](https://register.joolz.com) dentro de los seis meses posteriores a la compra y conservar tu comprobante de compra original, incluida la fecha de compra. Si no registras tu carrito Joolz en los seis meses posteriores a la compra, recibirás una garantía de dos años.

La garantía solo es válida si entrega los artículos siguientes a su distribuidor junto con el producto defectuoso:

- 1) Tu certificado de garantía,
- 2) Cualquier forma de identificación personal,
- 2) Una copia del recibo de la compra (incluida una fecha de compra),
- 3) Una descripción detallada del defecto.

Recibirás el certificado de garantía después de que hayas registrado tu silla de paseo Joolz en nuestro sitio web [register.joolz.com](https://register.joolz.com).

Si tu vendedor no puede ayudarte con tu queja, comunícate con Joolz. Ten en cuenta que las reparaciones no extienden el período de garantía.

## **LA GARANTÍA NO CUBRE:**

- 1) Defectos causados por el uso y desgaste normal, tales como llantas y tejidos desgastados por el uso diario, arañazos en el aluminio y/ o metal y decoloración natural de los materiales con el tiempo o al no seguir las instrucciones de mantenimiento.
- 2) Daño a las ruedas, como agujeros y desgarros.
- 3) Daño causado por accidentes, uso indebido, negligencia, incendio, contacto con líquidos u otra causa externa.
- 4) Daños resultantes del incumplimiento del manual de instrucciones, videos de instrucciones u otras pautas de Joolz.
- 5) Daño causado por otro producto, incluidos los accesorios.
- 6) Daño por servicio o reparación por un representante no oficial de Joolz.
- 7) Robo.
- 8) Transporte aéreo o daños de transporte.

La seguridad fue una consideración importante durante el desarrollo del la silla de paseo y la cuna Joolz Hub. Por lo tanto, nuestros productos cumplen con los siguientes estándares de seguridad:

Europa: EN 1888:2012 / EN 1466:2014/AC: 2015  
Estados Unidos: ASTM F833-15 / ASTM F2050-16  
Canadá: SOR/2016-167  
Australia: AS/NZS 2088:2013

Visita [joolz.com](https://joolz.com), [facebook.com/myjoolz](https://facebook.com/myjoolz) o ponte en contacto con tu distribuidor si tienes cualquier pregunta y/ o comentario.



**IMPORTANTE:** LEIA ATENTAMENTE ESTAS INSTRUÇÕES ANTES DA UTILIZAÇÃO E GUARDE-AS PARA CONSULTA FUTURA.

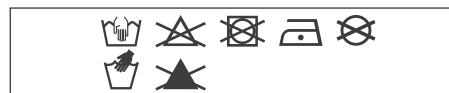
## AVISO

### PARA A ALCOFA DE TRANSPORTE

- + A alfofa Joolz Hub é adequada para um bebé que não consiga sentar-se sozinho, rodar sobre si próprio ou colocar-se de gatas. Peso máximo da criança: 9 kg
- + Este produto é adequado apenas para um bebé que não consiga sentar-se sem ajuda.
- + Utilize apenas numa superfície horizontal firme, nivelada e seca.
- + Não deixe que outras crianças brinquem sem supervisão perto da alfofa de transporte.
- + Não utilize se alguma peça da alfofa de transporte estiver partida, rota ou em falta.
- + Mantenha o Joolz Hub afastado de chamas expostas e outras fontes de calor, como aquecedores elétricos, lareiras a gás, etc.
- + As pegas e a parte inferior da alfofa de transporte devem ser inspecionadas regularmente quanto a sinais de danos e desgaste.
- + Certifique-se sempre de que a barra para-choques está corretamente engatada na alfofa/cadeira antes da utilização. AVISO Na alfofa de transporte, a cabeça do bebé nunca deverá estar abaixo do nível do corpo.
- + Não coloque colchões adicionais no colchão fornecido pela Joolz.
- + Apenas devem ser utilizadas peças suplentes fornecidas ou recomendadas pela Joolz.

## MANUTENÇÃO/INSTRUÇÕES DE LAVAGEM

Limpe o tecido com água morna e sabão. Passe por água limpa e deixe secar. Nunca utilize lixívia ou outros detergentes químicos. Periodicamente (aproximadamente uma vez por mês), aplique um spray de Teflon ou silicone nas rodas e peças de metal para garantir que o carrinho continua a mover-se com facilidade.



As peças de alumínio do carrinho Hub são anodizadas para o proteger de influências externas como a corrosão. As peças de alumínio anodizado são vulneráveis a produtos de limpeza ácidos ou lubrificantes, que podem causar manchas e descoloração nas peças de alumínio. Recomendamos que limpe as peças de alumínio do carrinho com água morna e um pano macio.

## GARANTIA

A Joolz oferece garantia vitalícia para o Joolz Hub. A garantia cobre todos os defeitos de material e de fabrico, mas não a troca ou a devolução do produto. Para ser elegível para a garantia vitalícia, basta registar o seu carrinho Joolz em [register.joolz.com](https://register.joolz.com), no prazo de seis meses após a compra, e guardar a prova de compra original com indicação da data da compra. Se não registar o seu carrinho Joolz no prazo de seis meses após a compra, receberá uma garantia de dois anos.

A garantia é válida apenas se fornecer os seguintes itens ao seu revendedor juntamente com o produto defeituoso:

- 1) O certificado de garantia,
- 2) Qualquer forma de identificação pessoal,
- 3) Uma cópia do talão de compra (incluindo a data da compra),
- 4) Uma descrição detalhada do defeito.

Receberá o certificado de garantia depois de registar o seu carrinho Joolz no nosso website [register.joolz.com](https://register.joolz.com).

Se o seu revendedor não conseguir ajudar com a sua reclamação, contacte a Joolz. Tenha em atenção que quaisquer reparações efetuadas não prolongam o período de garantia.

## A GARANTIA NÃO COBRE:

- 1) Defeitos causados por desgaste normal como, por exemplo, rodas e tecidos gastos pelo uso diário, riscos no alumínio e/ou metal, descoloração natural dos materiais ao longo do tempo ou não cumprimento das instruções de manutenção.
- 2) Danos nas rodas como, por exemplo, furos e rasgões.
- 3) Danos causados por acidentes, utilização inadequada, negligência, incêndio, contacto com líquidos ou outra causa externa.
- 4) Danos resultantes do não cumprimento do manual de instruções, filmes de instruções ou outras linhas de orientação da Joolz.
- 5) Danos causados por outro produto, incluindo acessórios.
- 6) Danos decorrentes de uma assistência ou reparação realizada por um representante não oficial da Joolz.
- 7) Roubo.
- 8) Danos decorrentes de transporte aéreo ou frete.

A segurança foi uma consideração importante ao longo do desenvolvimento do carrinho e da alfofa Joolz Hub. Como tal, os nossos produtos cumprem as seguintes normas de segurança:

Europa: EN 1888:2012 / EN 1466:2014/AC: 2015  
Estados Unidos: ASTM F833-15 / ASTM F2050-16  
Canadá: SOR/2016-167  
Austrália: AS/NZS 2088:2013

Visite [my-joolz.com](https://my-joolz.com), [facebook.com/myjoolz](https://facebook.com/myjoolz) ou contacte o seu revendedor se tiver dúvidas e/ou comentários.

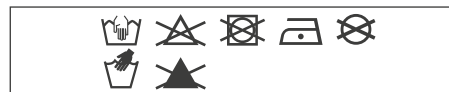
**IMPORTANTE:** SI PREGA DI LEGGERE QUESTE ISTRUZIONI ATTENTAMENTE PRIMA DELL'USO E DI CUSTODIRLE PER OGNI EVENIENZA.

## **AVVERTENZA** PER LA NAVICELLA

- + La navicella Joolz Hub è adatta solo a bambini che non sono in grado di sedersi, girarsi o sollevarsi da soli su mani e ginocchia. Peso massimo del bambino: 9 kg.
- + Questo prodotto è adatto solo a bambini che on sono in grado di sedersi da soli.
- + Utilizzare solo su superfici piane, compatte e asciutte.
- + Non lasciate giocare altri bambini vicini alla navicella.
- + Non usate la navicella in presenza di componenti danneggiati, lacerati o mancanti.
- + Tenete Joolz Hub lontano da fiamme libere e altre fonti di calore, quali stufette elettriche, caminetti, ecc.
- + Il manubrio e il fondo della navicella devono essere controllati regolarmente per individuare eventuali segni di danni e usura.
- + Prima dell'uso, verificate che la barra paracolpi sia correttamente inserita per nella navicella/seduta.
- + La testa del bambino nella navicella non deve essere a un livello più basso rispetto al suo corpo.
- + Non mettete un materasso supplementare sopra il materasso fornito da Joolz.
- + Utilizzate esclusivamente ricambi forniti o raccomandati da Joolz.

## **MANUTENZIONE / ISTRUZIONI PER IL LAVAGGIO**

Pulite il tessuto con acqua tiepida e sapone. Sciacquate con acqua pulita e lasciate asciugare. Non usate mai candeggina o altri detergenti chimici. Trattate periodicamente (circa una volta al mese) le ruote e le parti metalliche con uno spray al Teflon o al silicone affinché il passeggino possa continuare a funzionare correttamente.



Le parti in alluminio del passeggino Hub sono anodizzate per proteggerlo da fattori esterni, quali la corrosione. Le parti in alluminio anodizzato non sono resistenti ai detergenti acidi o grassi, che possono causare macchie e scolorimento. Vi consigliamo pertanto di pulire le parti in alluminio del passeggino con acqua calda e un panno morbido.

## **GARANZIA**

Joolz offre una garanzia a vita sul Joolz Hub. La garanzia copre difetti di materiale e di fabbricazione, ma non la sostituzione o la restituzione del prodotto. Per poter usufruire della garanzia a vita non dovrai fare altro che registrare il tuo passeggino Joolz su [register.joolz.com](https://register.joolz.com) entro sei mesi dalla data di acquisto e conservare la prova di acquisto originale, completa di data di acquisto. Se non registri il tuo passeggino Joolz entro sei mesi dall'acquisto, riceverai una garanzia di due anni.

La garanzia vale solo se si forniscono i seguenti elementi al rivenditore, unitamente al prodotto difettoso:

- 1) Il certificato di garanzia;
- 2) Un qualsiasi documento di identità;
- 3) Una copia della ricevuta di acquisto (compresa la data di acquisto);
- 4) Una descrizione dettagliata del difetto.

Riceverai il certificato di garanzia a fronte della registrazione del tuo passeggino Joolz sul nostro sito web [register.joolz.com](https://register.joolz.com).

Se il rivenditore non ti può aiutare con il reclamo, contatta Joolz. Ti preghiamo di tenere presente che eventuali riparazioni non estendono il periodo di garanzia.

## **LA GARANZIA NON COPRE:**

- 1) Difetti causati dalla normale usura, come l'usura su ruote e tessuti causata dall'utilizzo quotidiano, graffi sull'alluminio e/o metallo e la decolorazione naturale dei materiali nel tempo o dovuta al mancato rispetto delle istruzioni per la manutenzione.
- 2) Danni a ruote, come forature o lacerazioni.
- 3) Danni causati da incidenti, uso improprio, negligenza, fuoco, contatto con liquidi o altre cause esterne.
- 4) Danni derivanti dal mancato rispetto delle istruzioni del manuale di istruzioni, dei filmati esplicativi o di altre linee guida Joolz.
- 5) Danni causati da un altro prodotto, compresi gli accessori.
- 6) Danni causati da interventi di manutenzione o riparazione eseguiti da un fornitore non ufficiale Joolz.
- 7) Furto.
- 8) Danni di trasporto, incluso il trasporto aereo..

La sicurezza è stata tenuta in grande considerazione durante lo sviluppo del passeggino e della culla Joolz Hub, pertanto i nostri prodotti soddisfano i seguenti standard di sicurezza:

Europa: EN 1888:2012 / EN 1466:2014/AC: 2015  
Stati Uniti: ASTM F833-15 / ASTM F2050-16  
Canada: SOR/2016-167  
Australia: AS/NZS 2088:2013

Visita [joolz.com](https://joolz.com), [facebook.com/myjoolz](https://facebook.com/myjoolz) o contatta il tuo rivenditore per eventuali domande e/o commenti.

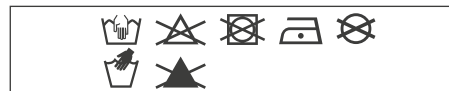
**VIKTIGT:** LÄS DENNA BRUKSANVISNING NOGA FÖRE ANVÄNDNING OCH SPARA DEN FÖR FRAMTIDA BRUK.

## **VARNING** FÖR LIGGDELEN

- + Joolz Hub-liggdelen är lämplig för barn som inte kan sitta upp själva, rulla runt eller inte kan trycka upp sig på alla fyra. Maxvikt på barnet: 9 kg.
- + Den här produkten lämpar sig endast för barn som inte kan sitta upp utan hjälp.
- + Använd endast på en stabil, horisontell, jämn och torr yta.
- + Låt inte andra barn leka nära liggdelen utan uppsikt.
- + Använd inte om någon del av liggdelen är skadad, trasig eller saknas.
- + Håll Joolz Hub borta från öppen eld och andra värmekällor, såsom elektriska värmeelement, kaminer etc.
- + Liggdelen bärhandtag och botten bör inspekteras regelbundet för att upptäcka tecken på skador och slitage.
- + Se alltid till att bygeln är korrekt fäst på ligg-/sittdelen före användning.
- + I liggdelen får barnets huvud aldrig ligga lägre än barnets kropp.
- + Lägg ingen extra madrass ovanpå madrassen som levereras av Joolz.
- + Endast reservdelar som har levererats eller rekommenderats av Joolz ska användas.

## **UNDERHÅLL/TVÄTRÅD**

Rengör textilerna med ljummet vatten och tvål. Skölj med rent vatten och låt torka. Använd aldrig blekmedel eller andra kemiska rengöringsmedel. Behandla hjul och metalldelar regelbundet (ungefär en gång i månaden) med teflon eller silikonspray så att vagnen fortsätter att rulla smidigt.



Aluminiumdelarna på din Hub-vagn är anodiserade för att vara skyddade från yttre påverkan såsom rost. Anodiserade aluminiumdelar är känsliga för syrabaserade rengöringsmedel och fett, vilket kan orsaka fläckar och missfärgningar på aluminiumdelarna. Vi råder dig därför att rengöra aluminiumdelarna på din barnvagn med varmt vatten och en mjuk trasa.

## **GARANTI**

Joolz erbjuder en livstidsgaranti för Joolz Hub. Garantin täcker alla material- och tillverkningsfel, men inte byte eller retur av produkten. Allt du behöver göra för att vara berättigad för livstidsgarantin är att registrera din Joolz-barnvagn på [register.joolz.com](https://register.joolz.com) inom sex månader från inköpet och behålla ditt inköpsbevis med inköpsdatum. Om du inte registrerar din Joolz-barnvagn inom sex månader från inköpet kommer du att erhålla en tvåårig garanti.

Garantin gäller endast om du tar med följande objekt till din återförsäljare, tillsammans med den defekta produkten:

- 1) Ditt garanticertifikat,
- 2) Någon form av personlig identifikation,
- 3) En kopia av inköpskvittot (inklusive inköpsdatum),
- 4) En detaljerad beskrivning av felet.

Du får garanticertifikatet när du har registrerat din Joolz-barnvagn på vår hemsida [register.joolz.com](https://register.joolz.com).

Om din återförsäljare inte kan hjälpa dig med ditt klagomål, kontakta Joolz. Observera att , eventuella reparationer inte förlänger garantitiden.

## **GARANTIN OMFATTAR INTE:**

- 1) Defekter som orsakats av normalt slitage, som slitage på hjul eller textilier efter daglig användning, repor på aluminium- och/eller metalldelar samt normal missfärgning av material efter en tid eller genom att inte följa underhållsanvisningarna.
- 2) Skador på hjul t.ex. hål och slitage.
- 3) Skador som uppstått på grund av olycka, felaktig användning, misskötsel, brand, kontakt med vätskor eller andra externa orsaker.
- 4) Skador som uppstått på grund av underlåtenhet att följa bruksanvisningen, instruktionsfilmerna eller andra riktlinjer från Joolz.
- 5) Skador som orsakats av en annan produkt inklusive tillbehör.
- 6) Skador som uppstått genom service eller reparation av någon som inte är en behörig representant för Joolz.
- 7) Stöld.
- 8) Skador vid flygtransport eller frakt.

Säkerhet har varit en viktig faktor i hela utvecklingsprocessen för Joolz Hub-barnvagnen och -liggdelen. Våra produkter uppfyller därför följande säkerhetsstandarder:

Europa: EN 1888:2012/EN 1466:2014/AC: 2015  
USA: ASTM F833-15/ASTM F2050-16  
Kanada: SOR/2016-167  
Australien: AS/NZS 2088:2013

Besök gärna [my.joolz.com](https://my.joolz.com), [facebook.com/myJoolz](https://facebook.com/myJoolz) eller kontakta din återförsäljare vid eventuella frågor och/eller kommentarer.

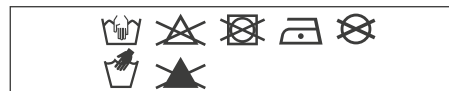
**VIKTIG:** VENNLIGST LES DISSE BRUKSANVISNINGENE NØYE FØR BRUK OG OPPBEVAR DEM FOR FREMTIDIG REFERANSE.

## **ADVARSEL** FOR LIGGEDELEN

- + Joolz Hub er egnet for et barn som ikke kan sitte opp av seg selv, rulle over og ikke kan presse seg opp på sine hender og knær. Maksimal vekt for barnet: 9 kg.
- + Dette produktet er kun egnet for et barn som ikke kan sitte opp av seg selv.
- + Bruk kun på en fast, horisontal og tørr overflate.
- + Ikke la andre barn leke uten tilsyn i nærheten av liggedelen.
- + Må ikke brukes hvis en del av liggedelen er ødelagt, revnet eller mangler.
- + Hold Joolz Hub vekk fra åpen ild og andre varmekilder, som elektriske varmeelementer, gasskaminer, osv.
- + Håndtakene og bunnen av liggedelen bør kontrolleres regelmessig for tegn på skade og slitasje.
- + Kontroller alltid at frontbøylen er riktig festet til ligge-/sittedelen før bruk.
- + Hodet til barnet i liggedelen må aldri være lavere enn kroppen til barnet.
- + Ikke legg en ekstra madrass på madrassen som er levert av Joolz.
- + Bruk kun reservedeler levert eller anbefalt av Joolz.

## **VEDLIKEHOLDS- / VASKEANVISNINGER**

Rengjør stoffet med lunkent vann og såpe. Skyll med rent vann og la tørke. Bruk aldri blekemiddel eller andre kjemiske rengjøringsmidler. Behandle hjulene og metalldelene med teflon- eller silikonspray med jevne mellomrom (ca. en gang i måneden), for å sikre at barnevognen fortsetter å kjøre friksjonsfritt.



Aluminiumsdelen til Hub barnevognen er anodisert for å beskytte den mot ytre påvirkninger, som korrosjon. Anodiserte aluminiumsdeler er utsatte for sure rengjøringsmidler eller fett, som kan forårsake flekker og misfarging av aluminiumsdelen. Vi råder deg derfor til å rengjøre aluminiumsdelen til din barnevogn med varmt vann og en myk klut.

## **GARANTI**

Joolz tilbyr livstidsgaranti på Joolz Hub. Garantien dekker alle material- og produksjonsfeil, men ikke bytte eller retur av produktet. For å være kvalifisert for livstidsgarantien, trenger du kun å registrere din Joolz barnestol på [register.joolz.com](https://register.joolz.com) innen seks måneder etter kjøpet og beholde ditt opprinnelige kjøpsbevis, inkludert kjøpsdatoen. Hvis du ikke registrerer din Joolz barnevogn innen seks måneder av kjøpet, vil du motta en to års garanti.

Garantien er bare gyldig dersom du leverer følgende elementer til forhandleren sammen med det defekte produktet:

- 1) Ditt garantibevis,
- 2) Noen form for personlig identifikasjon,
- 3) En kopi av kvitteringen for kjøpet (inkludert en kjøpsdato),
- 4) En detaljert beskrivelse av feilen.

Du vil motta garantibeviset etter at du har registrert din Joolz barnevogn på nettsiden [register.joolz.com](https://register.joolz.com).

Hvis din forhandler ikke kan hjelpe deg med klagen din, ta kontakt med Joolz. Merk at eventuelle reparasjoner ikke forlenger garantiperioden.

## **GARANTIEN DEKKER IKKE:**

- 1) Feil som skyldes vanlig slitasje, som slitte hjul og tekstiler ved daglig bruk, riper på aluminium og/eller metall og naturlig misfarging av materialer over tid eller ved å ikke følge vedlikeholdsinstruksjonene.
- 2) Skader på hjul som hull og flenger.
- 3) Skade forårsaket av ulykker, feilaktig bruk, uaktsomhet, brann, kontakt med væsker eller andre eksterne årsaker.
- 4) Skade som resulterer fra manglende overholdelse av bruksanvisningen, instruksjonsfilmer eller andre retningslinjer fra Joolz.
- 5) Skade forårsaket av et annet produkt, inkludert tilbehør.
- 6) Skade ved service eller reparasjon av en uoffisiell representant for Joolz.
- 7) Tyveri.
- 8) Skade under flytransport eller frakt.

Sikkerhet var en viktig faktor gjennom utviklingen av Joolz Hub-barnevognen og liggedelen. Våre produkter er oppfyllet derfor følgende sikkerhetsstandarder:

Europa: EN 1888:2012 / EN 1466:2014/AC: 2015  
USA: ASTM F833-15 / ASTM F2050-16  
Canada: SOR/2016-167  
Australia: AS/NZS2088:2013

Besøk [joolz.com](https://joolz.com), [facebook.com/myjoolz](https://facebook.com/myjoolz) eller ta kontakt med din forhandler for spørsmål og/eller kommentarer.

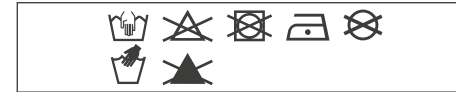
**TÄRKEÄÄ:** LUE NÄMÄ OHJEET HUOLELLISESTI ENNEN KÄYTTÖÄ JA PIDÄ NE TALLELLA MYÖHEMPÄÄ TARVETTA VARTEN.

## VAROITUS KANTOKOPALLE

- + Joolz Hub-makuuosat sopivat lapselle, joka ei osaa istua itse, kääntyä ympäri tai työntää itseään kontalleen. Lapsen suurin paino saa olla: 9 kg.
- + Tämä tuote sopii vain lapselle, joka ei osaa istua ilman apua.
- + Käytä vain kiinteällä, vaakasuuntaisella ja kuivalla pinnalla.
- + Älä anna muiden lasten leikkiä valvomatta lähellä kantokoppaa.
- + Älä käytä, jos jokin kantokopan osa on rikki, repeytynyt tai puuttuu.
- + Pidä Joolz Hub poissa avotulesta ja muista lämmönlähteistä, kuten sähkölämmittimet, kaasulämmittimet, tms.
- + Kantokopan kahvat ja pohja on tarkistettava säännöllisesti vaurioiden tai kulumisen merkkien varalta.
- + Varmista aina, että turvakaari on asianmukaisesti kiinnitetty makuu-/istuinosaan ennen käyttöä.
- + Lapsen pää makuukopassa ei saa koskaan olla vartaloa alempana.
- + Älä laita lisäpatjaa Joolzin toimittaman patjan päälle.
- + Vain Joolzin toimittamia tai suosittelemia varaosia saa käyttää.

## KUNNOSSAPITO-/ PESUOHJEET

Pese kangas haalealla vedellä ja saippualla. Huuhtelee puhtaalla vedellä ja anna kuivua. Älä käytä valkaisuainetta tai muita kemiallisia puhdistusaineita. Käsittele määräjain (noin kerran kuukaudessa) pyörät ja metalliosat Teflon- tai silikonisuihkeella varmistaaksesi, että rattaasi toimivat edelleen moitteettomasti.



Hub -rattaiden alumiiniosat on anodisoitu ulkoisilta vaikutuksilta, kuten korroosiolta, suojaamiseksi. Anodisoidut alumiiniosat ovat herkkiä happamille puhdistusaineille tai rasvalle, jotka voivat värjätä tai haalistaa alumiiniosia. Siksi suosittelemme puhdistamaan rattaasi alumiiniosat lämpimällä vedellä ja pehmeällä liinalla.

## TAKUU

Joolz tarjoaa elinikäisen takuun tuotteelle Joolz Hub. Takuu kattaa kaikki materiaali- ja valmistusviat, mutta ei tuotteen vaihtoa tai palautusta. Tuotteen elinikäisen takuun saamiseksi uudet Joolz-lastenrattaasi on rekisteröitävä sivustolla [register.joolz.com](https://register.joolz.com) kuuden kuukauden kuluessa ostohetkestä ja lisäksi on säilytettävä alkuperäinen ostotosite, josta ilmenee muun muassa ostopäivä. Jos et rekisteröi Joolz-lastenrattaitasi kuuden kuukauden kuluessa ostohetkestä, sinulle myönnetään kahden vuoden takuu.

Takuu on voimassa vain, jos toimitat seuraavat kohteet myyjälle yhdessä viallisen tuotteen kanssa:

- 1) Takuutodistuksesi
- 2) Jokin henkilötodistus
- 3) Kopio ostokuitista (sisältäen ostopäiväyksen)
- 4) Yksityiskohtainen kuvaus viasta.

Saat takuutodistuksen sen jälkeen, kun olet rekisteröinyt Joolz-lastenrattaasi verkkosivustollamme [register.joolz.com](https://register.joolz.com).

Jos myyjäsi ei pysty auttamaan sinua valituksesi kanssa, ota yhteyttä Joolziin. Huomaa, että korjaukset eivät pidennä takuuajaksia.

## TAKUU EI KATA SEURAAVIA:

- 1) Tavallisesta käytöstä ja kulumisesta aiheutuvat viat, kuten päivittäisessä käytössä kuluneet pyörät ja kankaat, naarmut alumiini- ja/tai metalliosissa sekä materiaalien luonnollinen haalistuminen ajan mittaan tai kunnossapito-ohjeiden laiminlyönnin vuoksi.
- 2) Pyörien vauriot, kuten reiät ja repeämät.
- 3) Onnettomuuksien, väärän käytön, laiminlyönnin, tulipalon, nestekontaktin tai muiden ulkoisten syiden aiheuttamat vauriot.
- 4) Käyttöohjeiden, ohjevideoiden tai muiden Joolz-ohjeistusten laiminlyönnistä aiheutuvat vauriot.
- 5) Muun tuotteen, lisävarusteet mukaan lukien, aiheuttama vaurio.
- 6) Epävirallisen Joolz-edustajan huollon tai korjausten aiheuttama vaurio.
- 7) Varkaus.
- 8) Ilmakuljetus- tai rahtivauriot.

Turvallisuus oli tärkeä osa-alue koko Joolz Hub -rattaiden ja -makuuosan kehittämisen ajan. Tuotteemme täyttävät siksi seuraavat turvastandardit:

Eurooppa:  
EN 1888:2012 / EN 1466:2014/AC: 2015  
Yhdysvallat: ASTM F833-15 / ASTM F2050-16  
Kanada: SOR/2016-167  
Australia: AS/NZS 2088:2013

Käy sivustolla [joolz.com](https://joolz.com), [facebook.com/myjoolz](https://facebook.com/myjoolz) tai ota yhteyttä myyjäsi, jos sinulla kysyttävää ja/tai huomioitavaa.

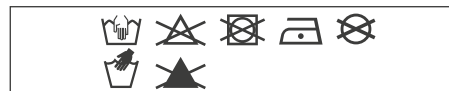
**VIGTIGT:** LÆS DISSE INSTRUKTIONER OMHYGGELIGT FØR BRUG, OG GEM DEM TIL FREMTIDIG REFERENCE.

## **ADVARSEL** FOR BABYLIFT

- + Dette produkt er kun egnet til børn, der endnu ikke selv kan sidde op, rulle rundt eller skubbe sig selv op på hænder og knæ. Maksimal vægt for barnet: 9 kg.
- + Dette produkt er kun egnet til børn, der ikke selv kan sidde op.
- + Må kun bruges på en fast, vandret, plan og tør overflade.
- + Andre børn må ikke lege uden opsyn i nærheden af babyliften.
- + Må ikke bruges, hvis der er beskadigede, ødelagte eller manglende dele på babyliften.
- + Hold Joolz Hub på afstand af åben ild og andre varmekilder, som f.eks. elektriske varmeapparater, gasbrændere etc.
- + Babyliftens håndtag og bund skal kontrolleres regelmæssigt for tegn på skader og slid.
- + Før brug skal du altid sørge for, at sikkerhedsbøjlen er korrekt sat på barnesengen/sæderne.
- + Når barnet bæres i babyliften, må barnets hoved aldrig være lavere end barnets krop.
- + Læg ikke ekstra madrasser oven på den madras, der leveres af Joolz.
- + Der bør kun bruges reservedele, der er leveret eller anbefalet af Joolz.

## **VEDLIGEHOLDELSE/ VASKEINSTRUKTIONER**

Rens stoffet med lunkent vand og sæbe. Skyl med rent vand og lad det tørre. Brug ikke blegemidler eller kemiske rengøringsmidler. Hjulene og metaldele skal regelmæssigt (cirka én gang om måneden) behandles med Teflon- eller silikonespray, så klapvognen bliver ved med at køre problemfrit.



Aluminiumsdelene på din Hub-klapvogn er anodiserede, så de beskyttes mod ekstern påvirkning, som f.eks. rust. Anodiserede aluminiumsdele er sårbare over for syreholdige rengøringsmidler eller fedt, hvilket kan forårsage pletter og misfarvning af aluminiumsdelene. Derfor anbefaler vi dig at rengøre klapvognens aluminiumsdele med varmt vand og en blød klud.

## **GARANTII**

Joolz tilbyder livstidsgaranti på Joolz Hub. Garantien dækker alle materiale- og produktionsfejl, men ikke ombytning eller returnering af produktet. For at være berettiget til livstidsgaranti er alt, hvad du skal gøre, at registrere din Joolz-klapvogn på [register.joolz.com](https://register.joolz.com) senest seks måneder efter købet og opbevare dit originale købsbevis, inkl. købsdato. Hvis du ikke registrerer din Joolz-klapvogn senest seks måneder efter købet, får du en to-års-garanti.

Garantien er kun gyldig, hvis du leverer følgende emner til din forhandler sammen med det defekte produkt:

- 1) Dit garantibevis,
- 2) En eller anden form for personlig identifikation,
- 3) En kopi af kvitteringen (inkl. Købsdato),
- 4) En detaljeret beskrivelse af fejlen.

Du modtager garantibeviset, når du har registreret din Joolz-klapvogn på vores websted: [register.joolz.com](https://register.joolz.com).

Hvis forhandleren ikke kan hjælpe med klagen, så kontakt Joolz. Bemærk venligst, at eventuelle reparationer ikke forlænger garantiperioden.

## **GARANTIEN DÆKKER IKKE:**

- 1) Fejl forårsaget af almindelig slitage såsom slidte hjul og tekstiler ved daglig brug, ridser på aluminium og/eller metal samt naturlig misfarvning af materialer over tid eller ved manglende iagttagelse af vedligeholdelsesvejledningen.
- 2) Skader på hjul som f.eks. huller og rifter.
- 3) Skader forårsaget af ulykker, ukorrekt brug, forsømmelighed, brand, kontakt med væsker eller anden udefrakommende årsag.
- 4) Skader som følge af manglende iagttagelse af brugsanvisningen, instruktionsfilmen eller andre Joolz-retningslinjer.
- 5) Skader forårsaget af et andet produkt, inkl. tilbehørsdele.
- 6) Skader i forbindelse med service eller reparation forestået af ikke-autoriserede Joolz-repræsentanter
- 7) Tyveri.
- 8) Lufttransport- eller transportskader.

Sikkerheden var i højsædet ved udviklingen af Joolz Hub-klapvogn og -babylift. Vores produkter opfylder således følgende sikkerhedsstandarder:

Europa: EN 1888:2012 / EN 1466:2014/AC: 2015  
 USA: ASTM F833-15 / ASTM F2050-16  
 Canada: SOR/2016-167  
 Australien: AS/NZS 2088:2013

Besøg [joolz.com](https://joolz.com), [facebook.com/myjoolz](https://facebook.com/myjoolz), eller kontakt din forhandler for eventuelle spørgsmål og/eller kommentarer.

**ВАЖНО:** ВНИМАТЕЛЬНО ПРОЧИТАЙТЕ ДАННУЮ ИНСТРУКЦИЮ ПЕРЕД ИСПОЛЬЗОВАНИЕМ ИЗДЕЛИЯ, И СОХРАНИТЕ ЕЕ ДЛЯ ДАЛЬНЕЙШЕГО ИСПОЛЬЗОВАНИЯ.

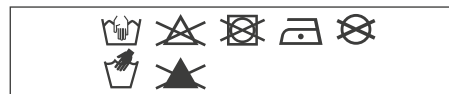
## ⚠ ПРЕДУПРЕЖДЕНИЕ

- + Данное изделие предназначено только для детей, которые не могут сидеть без посторонней помощи, ползать, а также отталкиваться на руках и коленях. Максимальный вес ребенка: 9 кг.
- + Данное изделие предназначено только для детей, которые не могут сидеть без посторонней помощи.
- + Использовать только на твердой, горизонтальной и сухой поверхности.
- + Не позволяйте другим детям играть без присмотра рядом с люлькой.
- + Не используйте, если какая-либо часть люльки поломана, оторвана или отсутствует.
- + Храните Joolz Hub вдали от открытого огня и других источников тепла, таких как электрические нагреватели, газовые плиты и т.д.
- + Рукоятки и дно люльки следует регулярно проверять на наличие повреждений и износа.
- + Перед использованием всегда убеждайтесь в том, что буферный брус правильно соединен с люлькой / сиденьем.
- + В люльке голова ребенка никогда не должна быть расположена ниже его тела.
- + Не кладите дополнительный матрас на матрас, предоставленный компанией Joolz.
- + поставляемые или рекомендованные Joolz.

## ТКАНЬ НЕОБХОДИМО ОЧИЩАТЬ ТЕПЛОЙ ВОДОЙ С МЫЛОМ.

Ополосните чистой водой и оставьте до полного высыхания.

Никогда не используйте отбеливатель или другие химические моющие средства. Периодически (примерно раз в месяц) обрабатывайте колеса и металлические детали тефлоновой или силиконовой смазкой для обеспечения бесперебойной и продолжительной службы коляски.



Алюминиевые части коляски Hub анодированы, чтобы защитить ее от внешних воздействий, таких как коррозия. Анодированные алюминиевые части уязвимы к кислотным моющим средствам и смазкам, которые могут вызвать появление пятен и изменение цвета алюминиевых деталей. Поэтому мы рекомендуем очищать алюминиевые части коляски при помощи теплой воды и мягкой ткани.

## ГАРАНТИЯ

Joolz предлагает бессрочную гарантию на коляски коллекции Joolz Hub. Гарантия распространяется на дефекты производства и материалов, а не на обмен или возврат изделия. Чтобы получить право на бессрочную гарантию, вам нужно всего лишь зарегистрировать свою коляску Joolz на сайте [register.joolz.com](http://register.joolz.com) в течение шести месяцев с момента покупки и сохранить подтверждение покупки с указанием ее даты. Если коляска Joolz не будет зарегистрирована в течение шести месяцев с момента покупки, вы получите двухгодичную гарантию.

Гарантия действительна, только если клиент предоставит поставщику вместе с неисправным изделием следующие документы:

- 1) Гарантийный сертификат,
- 2) Удостоверение личности,
- 3) Копию чека (с указанием даты покупки),
- 4) Подробное описание дефекта.

Вы получите гарантийный сертификат после того, как зарегистрируете свою коляску Joolz на нашем веб-сайте [register.joolz.com](http://register.joolz.com).

Если продавец не может помочь вам в решении вашего вопроса, обратитесь в компанию Joolz. Учтите, что ремонт не является основанием для продления гарантийного срока.

## ГАРАНТИЯ НЕ РАСПРОСТРАНЯЕТСЯ НА:

- 1) Дефекты, вызванные естественным износом, например стертые в ходе ежедневного использования колеса и потертую ткань, царапины на алюминии и (или) металле и естественное изменение цвета материалов с течением времени или в результате несоблюдения инструкций по техническому обслуживанию;
- 2) Повреждения колес, такие как дыры и разрывы;
- 3) Повреждения, вызванные авариями, ненадлежащим использованием, халатностью, огнем, контактом с жидкостями или другой внешней причиной;
- 4) Повреждения в результате несоблюдения руководства по эксплуатации, обучающих видеороликов или других инструкций joolz;
- 5) Повреждения, вызванные другим продуктом, в том числе принадлежностями;
- 6) Повреждения в результате сервисного обслуживания или ремонта у неофициального представителя joolz;
- 7) Кражу;
- 8) Повреждения, полученные при перевозке.

воздушным или иным транспортом. Безопасность играет важную роль в процессе разработки коляски и люльки Joolz Hub. Наши продукты соответствуют следующим стандартам безопасности:

Европа: EN 1888:2012 / EN 1466:2014/AC: 2015  
Соединенные Штаты: ASTM F833-15 / ASTM F2050-16  
Канада: SOR/2016-167  
Австралия: AS/NZS 2088:2013

Посетите [my-joolz.com](http://my-joolz.com), [facebook.com/myjoolz](https://facebook.com/myjoolz) или обратитесь к продавцу, чтобы решить какой-либо вопрос и (или) поделиться своим мнением.

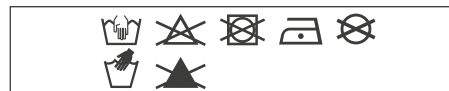
**WAŻNE:** ZAPOZNAJ SIĘ Z NINIEJSZĄ INSTRUKCJĄ I ZACHOWAJ JĄ W CELU UŻYCIA W PRZYSZŁOŚCI.

## **OSTRZEŻENIE** DOTYCZĄCE GONDOLI

- + Gondola Joolz Hub jest przeznaczona tylko dla dziecka, które nie potrafi samodzielnie siedzieć, przekręcać się i podnosić się do góry na rękach i kolanach. Maksymalna waga dziecka: 9 kg.
- + Ten produkt jest przeznaczony tylko dla dziecka, które nie potrafi siedzieć samodzielnie.
- + Należy używać tylko na stabilnej, poziomej i suchej powierzchni.
- + Inne dzieci nie powinny bawić się bez opieki w pobliżu gondoli.
- + Nie używać, jeśli jakkolwiek część gondoli jest połamana, rozerwana lub została zagubiona.
- + Fotelik Joolz Hub należy stawiać z daleka od otwartego ognia i innych źródeł ciepła, np. elektrycznych grzejników promiennikowych, palników gazowych itp.
- + Należy systematycznie sprawdzać, czy uchwyt i dno gondoli nie uległy uszkodzeniu lub podarciu.
- + Przed użyciem gondoli/fotelika samochodowego zawsze sprawdź, czy zabezpieczenie przed uderzeniem zostało założone prawidłowo.
- + Główka dziecka w gondoli nie powinna nigdy znajdować się niżej od ciała.
- + Nie wkładaj dodatkowego materaca na materac od Joolz.
- + Wolno stosować jedynie części zapasowe dostarczone lub zalecane przez firmę Joolz.

## **INSTRUKCJA KONSERWACJI/ CZYSZCZENIA**

Czyścić materiał letnią wodą z mydłem. Przepłukać wodą i pozostawić do wyschnięcia. Nie wolno stosować wybielaczy ani innych chemicznych detergentów. Okresowo (w przybliżeniu raz na miesiąc) smarować koła i metalowe części teflonem lub silikonem w sprayu, by wózek poruszał się płynnie.



Aluminiowe części wózka spacerowego Hub są anodyzowane, co chroni je przed wpływem czynników zewnętrznych, np. korozją. Anodyzowane części są podatne na działanie kwasowych środków czyszczących lub smaru, które mogą spowodować plamy i odbarwienie aluminiowych części. Z tego względu zalecamy czyszczenie aluminiowych części wózka ciepłą wodą z mydłem i miękką szmatką.

## **GWARANCJA**

Joolz udziela dożywotniej gwarancji na wózek Joolz Hub. Gwarancja obejmuje naprawę wad materiałowych i produkcyjnych, jednak produkt nie podlega wymianie ani zwrotowi. Aby skorzystać z dożywotniej gwarancji, wystarczy zarejestrować wózek spacerowy Joolz na stronie [register.joolz.com](http://register.joolz.com) w ciągu sześciu miesięcy od daty zakupu i zachować oryginalny dowód zakupu zawierający datę zakupu. Na wózki Joolz niezarejestrowane w ciągu sześciu miesięcy od daty zakupu udzielamy dwuletniej gwarancji.

Gwarancja jest ważna wyłącznie pod warunkiem przekazania sprzedawcy wraz z wadliwym produktem:

- 1) Świadectwa gwarancji,
- 2) Kopii dowolnego dokumentu tożsamości,
- 3) Kopii dowodu zakupu (zawierającego datę zakupu),
- 4) Szczegółowego opisu wady.

Świadectwo gwarancji otrzymuje się po zarejestrowaniu wózka Joolz na naszej stronie internetowej [register.joolz.com](http://register.joolz.com).

Jeżeli sprzedawca nie udzieli pomocy przy reklamacji, należy skontaktować się z Joolz.

Zwracamy uwagę, że jakiegokolwiek naprawy nie skutkują przedłużeniem okresu gwarancji.

## **GWARANCJA NIE OBEJMUJE:**

- 1) Usterki spowodowanych zwykłym zużyciem, takim jak zużycie kół i tkanin wynikające z codziennego użytkowania, rys na elementach aluminiowych i/lub metalowych oraz naturalnych odbarwień materiałów spowodowanych upływem czasu lub nieprzestrzeganiem instrukcji konserwacji;
- 2) Uszkodzeń kół, takich jak dziury i rozdarcia;
- 3) Uszkodzeń spowodowanych przez wypadki, nieprawidłowe użytkowanie, zaniedbanie, ogień, kontakt z płynami lub inne czynniki zewnętrzne;
- 4) Uszkodzeń wynikających z niestosowania się do instrukcji obsługi, filmów instruktażowych lub innych wytycznych joolz;
- 5) Uszkodzeń spowodowanych przez inny produkt, w tym akcesoria;
- 6) Uszkodzeń spowodowanych przez naprawę w nieautoryzowanym serwisie joolz;
- 7) Kradzieży;
- 8) Transportu lotniczego lub uszkodzenia podczas transportu.

Bezpieczeństwo było ważnym czynnikiem brany pod uwagę w procesie projektowania i produkcji wózka spacerowego i gondoli Joolz Hub. Nasze produkty spełniają następujące normy jakości:

Europa:  
EN 1888:2012 / EN 1466:2014/AC: 2015  
Stany Zjednoczone:  
ASTM F833-15 / ASTM F2050-16  
Kanada: SOR/2016-167  
Australia: AS/NZS 2088:2013

W celu uzyskania odpowiedzi na pytania oraz przekazania uwag, odwiedź naszą stronę internetową [joolz.com](http://joolz.com), [facebook.com/myjoolz](https://facebook.com/myjoolz) lub skontaktuj się ze sprzedawcą produktu.



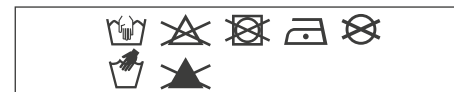
**ВАЖЛИВО:** УВАЖНО ПРОЧИТАЙТЕ ЦЮ ІНСТРУКЦІЮ ПЕРЕД ПОЧАТКОМ КОРИСТУВАННЯ ВИРОБОМ ТА ЗБЕРЕЖІТЬ ЇЇ ДЛЯ ПОДАЛЬШОГО ВИКОРИСТАННЯ.

## ⚠ ПОПЕРЕДЖЕННЯ

- + Цей виріб призначений лише для дітей, які не можуть сидіти без сторонньої допомоги, повзати, а також відштовхуватися на руках та колінах. Максимальна вага дитини: 9 кг.
- + Цей виріб призначений тільки для дітей, які не можуть сидіти без сторонньої допомоги.
- + Використовувати тільки на твердій, горизонтальній і сухій поверхні.
- + Не дозволяйте іншим дітям грати без нагляду поруч з люлькою.
- + Не використовуйте, якщо будь-яка частина люльки поламана, відірвана або відсутня.
- + Зберігайте Joolz Hub вдалині від відкритого вогню та інших джерел тепла, таких як електричні нагрівачі, газові плити і т.п.
- + Рукоятки та дно люльки слід регулярно перевіряти на наявність пошкоджень та зносу.
- + Перед використанням завжди переконуйтеся в тому, що буферний брус правильно з'єднаний з люлькою / сидінням.
- + У люльці голова дитини ніколи не повинна бути розташована нижче її тіла.
- + Не кладіть додатковий матрац на матрац, наданий компанією Joolz.
- + Слід використовувати запасні частини, що поставляються або рекомендовані Joolz.

## ІНСТРУКЦІЯ З ТЕХНІЧНОГО ОБСЛУГОВУВАННЯ / ЧИЩЕННЯ

Тканину необхідно очищати теплою водою з милом. Ополіскуйте чистою водою і залишайте до повного висихання. Ніколи не використовуйте відбілювач або інші хімічні мийні засоби. Періодично (приблизно раз на місяць) обробляйте колеса і металеві деталі тефлоновою або силіконовою змазкою для забезпечення безперебійної та тривалої служби коляски.



Алюмінієві деталі коляски Hub анодовані, щоб захистити її від зовнішніх впливів, таких як корозія. Анодовані алюмінієві частини уразливі до кислотних мийних засобів і змащення, які можуть викликати появу плям і зміну кольору алюмінієвих деталей. Тому ми рекомендуємо очищати алюмінієві частини коляски за допомогою теплої води і м'якої тканини.

## ГАРАНТІЯ

Компанія Joolz пропонує довічну гарантію на продукти Joolz Hub. Гарантія поширюється на всі матеріальні та виробничі дефекти, але не передбачає обмін або повернення продукту. Щоб отримати право на безстрокову гарантію, вам потрібно всього лише зареєструвати свій дитячий складаний візок Joolz на сайті [register.joolz.com](https://register.joolz.com) протягом шести місяців з моменту покупки і зберегти квитанцію, а що підтверджує покупку, із зазначенням її дати. Якщо ви не зареєструєте ваш дитячий складаний візок Joolz протягом шести місяців після покупки, ви отримаєте дворічну гарантію.

Ця гарантія дійсна лише у випадку, якщо ви надаєте продавцю наступні речі разом з дефектним продуктом:

- 1) Ваш гарантійний сертифікат;
- 2) Будь-який документ ідентифікації особи;
- 3) Копію квитанції про покупку (із зазначенням дати покупки);
- 4) Докладний опис дефекту.

Ви отримаєте гарантійний сертифікат після того, як зареєструєте ваш дитячий складаний візок Joolz на нашому веб-сайті [register.joolz.com](https://register.joolz.com). Ви отримаєте цей сертифікат після того, як зареєструєте свій складний дитячий візок Joolz на нашому веб-сайті.

Якщо роздрібний продавець не може задовольнити вашу претензію, зверніться в компанію Joolz. Зверніть увагу, що будь-який ремонт не продовжує гарантійний термін.

## ГАРАНТІЯ НЕ ПОШИРЮЄТЬСЯ НА:

- 1) Дефекти, викликані природним зносом, наприклад, стиранням коліс і тканини в ході щоденного використання, подряпини на алюмінієвих та (або) металевих поверхнях, а також природне знебарвлення матеріалів з плином часу або в результаті недотримання інструкцій з технічного обслуговування.
- 2) Пошкодження коліс, такі як дірки і розриви.
- 3) Пошкодження, викликані аваріями, неналежним використанням, недбалістю, вогнем, контактом з рідинами або іншою зовнішньою причиною.
- 4) Пошкодження в результаті недотримання керівництва із експлуатації, навчальних відеороликів або інших інструкцій Joolz.
- 5) Пошкодження, викликані іншим продуктом, в тому числі аксесуарами.
- 6) Пошкодження в результаті сервісного обслуговування або ремонту у неофіційного представника Joolz.
- 7) Крадіжку.
- 8) Пошкодження, отримані під час перевезення повітряним або іншим транспортом.

Безпека була важливим аспектом під час розробки дитячого складаного візка та дитячої люльки Joolz Hub. Тому наші продукти відповідають таким стандартам безпеки:

Європа: EN 1888:2012 / EN 1466:2014/AC: 2015  
Сполучені Штати: ASTM F833-15 / ASTM F2050-16  
Канада: SOR/2016-167  
Австралія: AS/NZS 2088:2013

У випадку будь-яких питань та (або) коментарів відвідайте веб-сайт [joolz.com](https://joolz.com), [facebook.com/myjoolz](https://facebook.com/myjoolz) або зв'яжіться з продавцем.

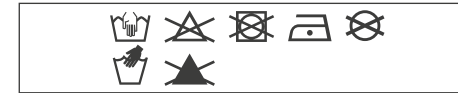
**TÄHTIS!** ENNE KASUTAMIST LUGEGE NEED SUUNISED HOOLIKALT LÄBI JA HOIDKE EDASPIDI KASUTAMISEKS ALLES.

## ⚠ HOIATUS

- + Joolz Hub kookon sobib lastele, kes veel ei istu, pööra ega tõsta end kätele ega põlvedele. Lapse maksimaalne kehakaal: 9 kg.
- + See toode sobib ainult lastele, kes ei oska ilma abita istuda.
- + Kasutage ainult tugeval ja horisontaalsel kuival tasapinnal.
- + Ärge lubage teistel lastel kookoni lähedal järelevalveta mängida.
- + Ärge kasutage kookonit, kui mõni selle osa on katki, liigselt kulunud või puudu.
- + Hoidke Joolz Hub eemal lahtisest tulest ja muudest soojusallikatest, nagu elektriküttekehad, gaasikaminad jne.
- + Kookoni sangu ja põhja tuleb sageli kontrollida kahjustuste ja kulumise suhtes.
- + Enne kasutamist veenduge alati, et turvakaar oleks korralikult kookoni/istme külge kinnitatud.
- + Kookonis oleva lapse pea ei tohi olla kehasst kunagi madalamal.
- + Ärge pange Joolzi madratsile lisamadratsit.
- + Kasutada tuleb ainult Joolzi tarnitud või soovitatud varuosi.

## HOOLDUS-/PESEMISSUUNISED

Peske katteriit leige vee ja seebiga. Loputage puhta veega ja jätke kuivama. Ärge kasutage kunagi pleegiteid ega muid keemilisi puhastusvahendeid. Pihustage ratastele ja metallosadele regulaarselt (umbes kord kuus) teflon- või silikoonpihust, et tagada jalutuskäru sujuv liikumine.



Teie Hub jalutuskäru alumiiniumosad on anodeeritud, et kaitsta neid väliste mõjude eest, näiteks korrosioon. Happelised puhastusvahendid või määrdeid võivad anodeeritud alumiiniumosi kahjustada, põhjustades neile plekkide teket ja värvimuutust. Seetõttu soovitame puhastada jalutuskäru alumiiniumosi sooja vee ja pehme lapiga.

## GARANTII

Joolz annab Joolz Hub toodetele eluaegse garantii. Garantii alla kuuluvad kõik materjali- ja tootmisvead, kuid garantii alla ei kuulu toote vahetamine ega tagastamine. Eluaegse garantii saamiseks registreerige Joolzist ostetud käru kuue kuu jooksul alates ostukuupäevast veebilehel [register.joolz.com](http://register.joolz.com) ja hoidke alles ostu tõendav originaaldokument, millel on ostukuupäev. Kui te ei registreeri Joolzist ostetud käru kuue kuu jooksul alates ostukuupäevast, tagatakse teie tootele kaheaastane garantii.

Garantii kehtib ainult juhul, kui annate edasimüüjale koos defektse tootega järgmised dokumendid:

- 1) Garantiiitõend;
- 2) Isikut tõendav dokument;
- 3) Ostu tõendava dokumendi koopia (millel on ostukuupäev);
- 4) Defekti detailne kirjeldus.

Kui olete Joolzi käru registreerinud meie veebilehel [register.joolz.com](http://register.joolz.com), edastatakse teile garantiiitõend.

Kui edasimüüja ei saa teid kaebuse juures aidata, võtke ühendust Joolziga. Pidage meeles, et toote parandamine ei pikenda garantiiperioodi.

## GARANTII EI KATA:

- 1) tavapärasest kulumisest tulenevaid defekte, näiteks igapäevase kasutamise tagajärjel kulunud rattad ja kangad, alumiiniumil ja/või metallil olevad kriimustused, materjalide loomulik pleekimine aja jooksul või hooldusjuhiste eiramine;
- 2) rataste kahjustused, nt augud ja rebendid;
- 3) kahjustused, mis on tingitud õnnetustest, valesti kasutamisest, hooletusest, tulest, kokkupuutest vedelikega või mõnest muust välisest põhjusest;
- 4) kahjustus, mis tuleneb juhendi nõuete, õppevideotes näidatud või muude Joolzi juhiste eiramisest;
- 5) mõne muu toote (k.a tarvikute) põhjustatud kahjustus;
- 6) Joolzi volitamata esindaja põhjustatud kahjustus toote hooldamisel või parandamisel;
- 7) vargus;
- 8) kahjustus õhustranspordil või vedamise ajal.

Joolz Hub käru ja võrevoodi väljatöötamisel oli kogu protsessi keskseks ja tähtsaimaks teguriks ohutus. Seetõttu vastavad meie tooted allolevatele standarditele:

Euroopa:  
EN 1888:2012 / EN 1466:2014/AC: 2015  
Ameerika Ühendriigid:  
ASTM F833-15 / ASTM F2050-16  
Kanada: SOR/2016-167  
Austraalia: AS/NZS 2088:2013

Küsimuste ja/või märkuste korral külastage veebilehti [joolz.com](http://joolz.com), [facebook.com/myjoolz](https://facebook.com/myjoolz) või võtke ühendust edasimüüjaga.

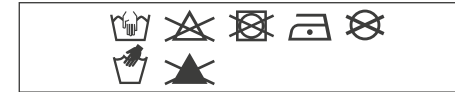
**SVARĪGI!** PIRMS IERĪCES LIETOŠANAS RŪPĪGI IZLASIET ŠĪS INSTRUKCIJAS UN SAGLABĀJIET TĀS TURPMĀKAI UZZIŅAI.

## ⚠ BRĪDINĀJUMS PAR PĀRNĒSĀJAMO GULTIŅU

- + Joolz Hub gultiņa ir piemērota bērnam, kurš nevar patstāvīgi apsēsties, apvelties vai nostāties četrpāpus. Bērna maksimālais svars: 9 kg.
- + Šis izstrādājums ir piemērots tikai bērnam, kurš nevar patstāvīgi apsēsties.
- + Izmantojiet tikai uz stingras, horizontālas, līdzenas un sausas virsmas.
- + Neļaujiet citiem bērniem bez uzraudzības spēlēties pie pārnēsājamās gultiņas.
- + Nelietojiet, ja kāda pārnēsājamās gultiņas daļa ir salūzusi, saplūsusi vai pazudusi.
- + Nenovietojiet Joolz Hub atklātas uguns un citu karstuma avotu, piemēram, elektrisko stieņveida sildītāju vai gāzes liesmas tuvumā.
- + Regulāri pārbaudiet, vai pārnēsājamās gultiņas rokturiem un apakšdaļai nav bojājumu un nolietojuma pazīmju.
- + Pirms lietošanas vienmēr pārliedziniet, vai bufera stienis ir pareizi savienots ar gultiņu/sēdekļa blokiem.
- + Bērna galva pārnēsājamajā gultiņā nekad nedrīkst atrasties zemāk kā bērna ķermenī.
- + Nelieciet papildu matraci uz Joolz nodrošinātā matrača.
- + Izmantojiet tikai Joolz nodrošinātās vai ieteiktās rezerves daļas.

## INSTRUKCIJAS PAR APKOPI/ MAZGĀŠANU

Audumu tīriet ar remdenu ūdeni un ziepēm. Noskalojiet ar ūdeni un atstājiet nožūt. Nekad nelietojiet balinātāju vai citus ķīmiskus mazgāšanas līdzekļus. Rīteņus un metāla daļas regulāri (apmēram reizi mēnesī) notīriet ar teflona vai silikona aerosolu, lai bērnu ratiņi pastāvīgi darbotos nevainojami.



Hub bērnu ratiņi ir anodēti aizsardzībai pret ārēju ietekmi, piemēram, koroziju. Anodētās alumīnija daļas ir jutīgas pret skābu tīrīšanas līdzekļu vai smērvielu iedarbību, kas var veidot traipus uz alumīnija daļām un izraisīt to krāsas maiņu. Tāpēc bērnu ratiņu alumīnija daļas ieteicams tīrīt ar siltu ūdeni un mikstu drānu.

## GARANTĪJA

Joolz piedāvā Joolz Hub mūža garantiju. Garantija aptver visus materiālos un ražošanas defektus, bet ne izstrādājuma apmaiņu vai atgriešanu. Lai iegūtu tiesības uz mūža garantiju, atliek tikai reģistrēt savus Joolz bērnu ratiņus vietnē [register.joolz.com](http://register.joolz.com) sešu mēnešu laikā kopš iegādes un saglabāt oriģinālo pirkuma apliecinājumu, kas iekļauj pirkuma datumu. Ja Joolz bērnu ratiņus neesat reģistrējis sešu mēnešu laikā kopš iegādes, saņemsiet divu gadu garantiju.

Garantija ir spēkā tikai tad, ja kopā ar bojāto izstrādājumu tiek iesniegts:

- 1) Jūsu garantijas sertifikāts,
- 2) Jebkāda veida personas identifikācijas dokuments,
- 2) Pirkuma čeka kopija (iekļaujot pirkuma datumu),
- 3) Defekta detalizēts apraksts.

Jūs saņemsiet garantijas sertifikātu pēc savu Joolz bērnu ratiņu reģistrēšanas mūsu tīmekļa vietnē [register.joolz.com](http://register.joolz.com).

Ja mazumtirgotājs jūsu pretenzijas gadījumā nevar palīdzēt, sazinieties ar Joolz. Lūdzu, ņemiet vērā, ka neviens remonts nepārsniedz garantijas periodu.

## GARANTĪJA NEATTIECAS UZ:

- 1) Parasta nolietojuma un nodiluma izraisītiem defektiem, piemēram, ikdienas lietošanā nodilušiem rīteņiem un audumu, skrāpējumiem uz alumīnija un/vai metāla materiāla dabisko krāsas maiņu laika gaitā, vai defektiem, kas radušies apkopes instrukciju neievērošanas rezultātā.
- 2) Rīteņu bojājumiem, piemēram, caurumiem un plīsumiem.
- 3) Bojājumiem, ko izraisījuši negadījumi, nepareiza izmantošana, nevērība, degšana, saskare ar šķidrumiem vai cits ārējs cēlonis.
- 4) Bojājumiem, ko izraisījuši lietošanas pamācībā, instrukciju video vai citās Joolz vadlīnijās ietverti norādījumi neievērošana.
- 5) Cita produkta, tostarp piederumu, izraisīti bojājumi.
- 6) Joolz neoficiāla pārstāvja veiktas apkopes vai remonta izraisīti bojājumi.
- 7) Zādzība.
- 8) Gaisa transporta vai kravu pārvadājumu izraisīti bojājumi.

Drošība ir svarīgs apsvērumus visā Joolz Hub bērnu ratiņu un gultiņu izstrādes laikā. Tāpēc mūsu produktu izstrādē ir ievēroti augstākie drošības standarti:

Eiropas standarti:

EN 1888:2012 / EN 1466:2014/AC: 2015

Amerikas Savienoto Valstu standarti:

ASTM F833-15 / ASTM F2050-16

Kanādas standarti: SOR/2016-167

Austrālijas standarti: AS/NZS 2088:2013

Ja jums ir jautājumi un/vai komentāri, lūdzu, apmeklējiet vietni [joolz.com](http://joolz.com), [facebook.com/myjoolz](https://facebook.com/myjoolz) vai sazinieties ar mazumtirgotāju.

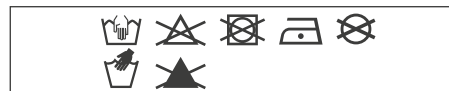
**SVARBU:** PRIEŠ NAUDODAMI PRODUKTĄ ATIDŽIAI PERSKAITYKITE ŠIAS INSTRUKCIJAS IR IŠSAUGOKITE JAS ATEIČIAI.

## ⚠️ ĮSPĖJIMAS DĖL NEŠIOJAMOJO LOPŠIO

- + „Joolz Hub“ lopšys tinka vaikui, kuris negali pats atsisėsti, apsiversti arba atsikelti ant rankų ar kelių. Didžiausias vaiko svoris: 9 kg
- + šis produktas tinka tik vaikui, kuris negali atsisėsti be pagalbos.
- + naudokite tik tvirtą, horizontalų, lygų ir sausą paviršių.
- + neleiskite kitiems vaikams be priežiūros žaisti šalia nešiojamojo lopšio.
- + nenaudokite nešiojamojo lopšio, jei bent viena jo dalis sulūžusi, suplėšyta arba jos trūksta.
- + Laikykite „Joolz Hub“ atokiau nuo židinio arba kitų šilumos šaltinių, pavyzdžiui, elektrinių šildytuvų, dujinių židinių ir pan.
- + nešiojamojo lopšio rankenos ir apačia turėtų būti reguliariai tikrinama, ar nėra pažeista arba nusidėvėjusi.
- + prieš pradėdami naudoti visada įsitikinkite, kad buferio strypelis tinkamai uždėtas ant lopšio / kėdutės.
- + vaiko galva nešiojamajame lopšyje niekada neturėtų būti žemiau negu vaiko kūnas.
- + nedėkite papildomo čiužinio ant čiužinio, kurį pristatė Joolz.
- + turėtų būti naudojamos tik „Joolz“ tiekiamos arba rekomenduojamos atsarginės dalys.

## PRIEŽIŪROS / PLOVIMO INSTRUKCIJOS

Audinį valykite drungnu vandeniu ir muilu. Išskalaukite švari vandeniu ir palikite išdžiūti. Niekada nenaudokite baliklio arba kitų cheminių ploviklių. Periodiškai (maždaug kartą per mėnesį) išpurškite ratukus ir metalines dalis teflono arba silicio purškalu, kad vežimėlis toliau riedėtų tolygiai.



Jūsų „Hub“ vežimėlio dalys anoduotos, todėl apsaugotos nuo išorės poveikio, pavyzdžiui, korozijos. Anoduotos aliuminio dalys pažeidžiamos rūgštiniais valikliais arba tepalais, kurie gali palikti dėmių arba pakeisti aliuminio dalių spalvą. Todėl patariame vežimėlio aliuminio dalis valyti šiltu vandeniu ir minkšta šluoste.

## GARANTIJA

„Joolz“ suteikia „Joolz Hub“ garantiją visam gyvenimui. Garantija taikoma visiems medžiagos ir gamybos brokams, bet ne produkto grąžinimui arba keitimui. Norėdami gauti šią garantiją, turite tiesiog priregistruoti savo „Joolz“ vežimėlį [register.joolz.com](http://register.joolz.com) per šešis mėnesius nuo įsigijimo bei išsaugoti originalų įsigijimo įrodymą su įsigijimo data. Jei nepriregistruosite „Joolz“ vežimėlio per šešis mėnesius nuo įsigijimo, vežimėliui bus taikoma dvejų metų garantija.

Garantija galioja tik tuo atveju, jei pardavėjui kartu su brokuotu produktu pateikiate toliau nurodytus dokumentus:

- 1) Savo garantijos pažymėjimą,
- 2) Bet kokį asmens tapatybės nustatymo dokumentą,
- 3) Pirkimo čekio kopiją (su nurodyta pirkimo data),
- 4) Išsamų broko aprašymą.

Garantijos pažymėjimą gausite, kai priregistruosite savo „Joolz“ vežimėlį mūsų svetainėje [register.joolz.com](http://register.joolz.com).

Jei pardavėjas negali padėti dėl skundo, susisiekite su „Joolz“. Atkreipkite dėmesį, kad taisymo darbai nepratęsia garantijos laikotarpio.

## GARANTIJA NETAIKOMA:

- 1) Defektams, kuriuos sukėlė įprastas nusidėvėjimas dėl kasdienio naudojimo, pavyzdžiui, nusidėvėjusiems ratukams ir audiniams, įbrėžimams ant aliuminio ir (arba) metalinių detalių bei medžiagų spalvos pasikeitimui dėl ilgalaikio naudojimo arba dėl naudojimo ne pagal nurodymus;
- 2) Ratukų pažeidimams, pavyzdžiui, jei jie praduriami arba suplyšta;
- 3) Pažeidimams, kuriuos lėmė nelaimingi atsitikimai, netinkamas naudojimas, aplaidumas, gaisras, kontaktas su skysčiais arba kita išorinė priežastis;
- 4) Pažeidimams, kuriuos lėmė naudotojo vadovo, nurodytų veiksmų arba kitų „joolz“ gairių nesilaikymas;
- 5) Pažeidimams, kuriuos sukėlė kitas produktas, įskaitant priedus;
- 6) Pažeidimams, kurie buvo sukelti ne įgaliotojo „joolz“ atstovo vykdytuoju techninę priežiūrą arba remonto darbus;
- 7) Vagystei;
- 8) Pažeidimams, kuriuos sukėlė gabenimas oro arba sausumos transportu.

Kuriant „Joolz Hub“ vežimėlį ir lopšį buvo itin atsižvelgiama į saugumą. Todėl mūsų produktai atitinka tolesnius saugos standartus:

Europos:  
EN 1888:2012 / EN 1466:2014/AC: 2015  
Jungtinių Amerikos Valstijų:  
ASTM F833-15 / ASTM F2050-16  
Kanados: SOR/2016-167  
Australijos: AS/NZS 2088:2013

Aplankykite [joolz.com](http://joolz.com), [facebook.com/myjoolz](https://facebook.com/myjoolz) arba susisiekite su pardavėju, jei turite klausimų ir (arba) komentarų.

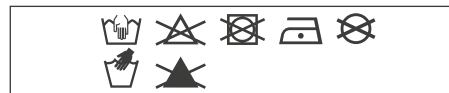
**POMEMBNO:** PRED UPORABO SKRBNO PREBERITE NAVODILA IN JIH SHRANITE ZA NADALJNJO UPORABO.

## **OPOZORILO** ZA PRENOSNO KOŠARO

- + Prenosna košara Joolz Hub je primerna za malčke, ki še ne znajo sedeti sami, ki se še ne znajo preváliti na stran in se še ne znajo dvigniti na rokice in kolena, Maksimalna teža malčka: 9 kg.
- + Izdelek je primeren le za malčke, ki še ne znajo sedeti sam, brez pomoči.
- + Prenosno košaro lahko uporabljate le na trdni, vodoravni in suhi površini.
- + Ne dovolite drugim otrokom, da bi se brez nadzora igrali v bližini prenosne košare.
- + Prenosne košare ne uporabljajte, če je katerikoli del košare poškodovan, raztrgan ali če manjka.
- + Joolz Hub hranite proč od odprtega ognja in drugih virov toplote, kot so električni ali plinski grelniki, itd.
- + Ročaja in dno prenosne košare morate redno pregledovati, da pravočasno ugotovite znake morebitnih poškodb in obrabe.
- + Pred uporabo se vedno prepričajte, da je prednje varovalo pravilno pritrjeno na košaro/sedežno enoto.
- + V prenosni košari ne sme biti malčkova glavnica nikoli nižje od njegovega telesa.
- + Vzmetnici, ki jo dobavi proizvajalec Joolz, ne dodajajte dodatne vzmetnice.
- + Uporabljajte le nadomestne dele, ki jih je dobavil ali priporočil proizvajalec Joolz.

## **NAPOTKI ZA VZDRŽEVANJE/ČIŠČENJE**

Tekstilne dele očistite s toplo milnico. Splaknite jih s čisto vodo in dobro posušite. Ne uporabljajte belil ali drugih kemičnih detergentov. Občasno (približno enkrat mesečno) kolesa in kovinske dele napršite s teflonskim ali silikonskim pršilom, da bo voziček gladko tekél.



Aluminijasti deli vozička Hub so eloksirani, da so zaščiteni pred zunanjimi vplivi, kot je na primer korozija. Elokirani aluminijasti deli so občutljivi na jedka čistila ali mazila, ki lahko pustijo madeže in razbarvajo aluminijaste dele. Svetujemo vam, da aluminijaste dele vozička očistite s toplo vodo in mehko krpo.

## **GARANCIJA**

Joolz ponuja doživljenjsko garancijo za izdelke Joolz Hub. Garancija zajema vse stvarne in proizvodne napake, ne pa zamenjavo ali vračilo izdelka. Vse kar morate storiti, če želite biti upravičeni do doživljenjske garancije, je registrirati vaš voziček Joolz na [register.joolz.com](http://register.joolz.com) v roku šestih mesecev od nakupa in obdržati originalno dokazilo o nakupu, vključno z datumom nakupa. Če svojega vozička Joolz ne boste registrirali v šestih mesecih po nakupu, boste upravičeni do dveletne garancije.

Garancija velja le v primeru, če skupaj z okvarjenim izdelkom dostavite prodajalcu tudi naslednje elemente:

- 1) Certifikat o garanciji,
- 2) Katero koli osebni dokument,
- 3) Kopijo potrdila o nakupu (vključno z datumom nakupa),
- 4) Podroben opis napake.

Potrdilo o garanciji boste prejeli po registraciji svojega vozička Joolz na naši spletni strani [register.joolz.com](http://register.joolz.com).

Če vam pri vaši pritožbi ne more pomagati prodajalec, se obrnite na podjetje Joolz. Upoštevajte, da kakršna koli popravila ne podaljšajo garancijskega obdobja.

## **GARANCIJA NE KRIJE:**

- 1) Napak, ki nastanejo pri običajni obrabi, npr. kolesa in tkanine, ki se obrabijo zaradi vsakodnevene uporabe, praske na aluminiju in/ali kovini ter naravno razbarvanje materialov, do česar pride sčasoma ali zaradi neupoštevanja navodil za vzdrževanje.
- 2) Poškodb koles, kot so npr. predrta oz. počena kolesa.
- 3) Poškodb, ki nastanejo zaradi nesreč, nepravilne uporabe, malomarnosti, ognja, stika s tekočinami ali drugega zunanje vzroka.
- 4) Poškodb, ki nastanejo zaradi neupoštevanja navodil za uporabo, videoposnetkov z navodili ali drugih smernic podjetja Joolz.
- 5) Poškodb, ki nastanejo zaradi drugega izdelka, vključno z dodatno opremo.
- 6) Poškodb, ki nastanejo med servisiranjem ali izvajanjem popravila, ki ga opravi nepooblaščen predstavnik podjetja Joolz.
- 7) Kraje.
- 8) Poškodb, ki nastanejo med zračnim prevozom ali transportom blaga.

Med razvojem vozička in prenosne postelje Joolz Hub nam je bila varnost zelo pomembna. Naši izdelki zato izpolnjujejo naslednje varnostne standarde:

Evropa: EN 1888:2012/EN 1466:2014/AC: 2015  
ZDA: ASTM F833-15/ASTM F2050-16  
Kanada: SOR/2016-167  
Avstralija: AS/NZS 2088:2013

Obiščite spletno stran [joolz.com](http://joolz.com), [facebook.com/myjoolz](https://facebook.com/myjoolz) ali se v primeru kakršnih koli vprašanj ali komentarjev obrnite na lokalnega prodajalca.

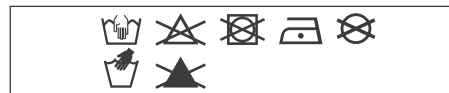
**VAŽNO:** PAŽLJIVO PROČITAJTE OVE UPUTE PRIJE UPOTREBE I SAČUVAJTE IH ZA UBUDUĆE.

## **OPOZORILO** ZA NOSILJKU

- + Nosiljka Joolz Hub prikladna je samo za dijete koje ne može samo sjediti, preokrenuti se te puzati. Maksimalna težina djeteta: 9 kg.
- + Ovaj proizvod prikladan je samo za dijete koje ne može sjediti bez pomoći.
- + Koristite samo na čvrstoj, horizontalnoj i suhoj površini.
- + Nemojte dozvoliti drugoj djeci da se bez nadzora igraju pored nosiljke.
- + Nemojte koristiti ako je dio nosiljke razbijen, oštećen ili nedostaje.
- + Čuvajte Joolz Hub dalje od otvorenog plamena i drugih izvora topline, kao što su električne grijače spirale, plinski štednjaci, itd.
- + Trebali biste redovito pregledavati ručke i donji dio nosiljke kako biste otkrili ima li znakova oštećenja i habanja.
- + Prije upotrebe uvijek provjerite je li odbojna šipka ispravno pričvršćena na nosiljku/sjedalicu.
- + Kada je u nosiljci, glava djeteta nikada ne smije biti u nižem položaju u odnosu na tijelo djeteta.
- + Ne stavljajte dodatne madrace na madrac koji je dostavio Joolz.
- + Koristite samo rezervne dijelove koje je dostavio ili preporučio Joolz.

## **ODRŽAVANJE / UPUTE ZA PRANJE**

Operite tkaninu toplom vodom iz slavine i sapunom. Isperite vodom i ostavite da se suši. Nikada ne koristite izbjeljivač i druga kemijska sredstva za čišćenje. Povremeno (otprilike jednom mjesečno) podmažite kola i metalne dijelove teflonom ili silikonskim sprejem kako biste osigurali neometano funkcioniranje kolica.



Aluminijski dijelovi kolica Hub anodizirani su radi zaštite od vanjskih utjecaja, kao što je korozija. Anodizirani aluminijski dijelovi osjetljivi su na sredstva za čišćenje s kiselinom ili mast koja može uzrokovati mrlje i uništavanje boje na aluminijskim dijelovima. Stoga vam preporučujemo da aluminijske dijelove kolica čistite toplom vodom i mekanom tkaninom.

## **JAMSTVO**

Joolz nudi doživotno jamstvo na kolica Joolz Hub. Jamstvo pokriva sve materijalne i proizvođačke kvarove, ali ne i zamjenu ili povrat proizvoda. Da bi dječja kolica marke Joolz ispunjavala uvjete za doživotno jamstvo, trebate ih samo registrirati na adresi [register.joolz.com](http://register.joolz.com) u roku od šest mjeseci nakon kupnje i zadržati izvorni dokaz kupnje na kojem je vidljiv datum kupnje. Ako ne registrirate dječja kolica marke Joolz u roku od šest mjeseci od datuma kupnje, dobit ćete dvogodišnje jamstvo.

Jamstvo je važeće samo ako u trgovinu dostavite neispravan proizvod i sljedeće:

- 1) Jamstvenu karticu,
- 2) Osobni identifikacijski dokument,
- 3) Kopiju potvrde o kupnji (uključujući datum kupnje),
- 4) Detaljni opis kvara.

Potvrdu o jamstvu ćete dobiti kada registrirate svoja dječja kolica marke Joolz na našoj mrežnoj stranici [register.joolz.com](http://register.joolz.com).

Ako vam u trgovini ne mogu pomoći s pritužbom, obratite se Joolzu. Valja napomenuti da popravci ne produljuju razdoblje jamstva.

## **NAŠE JAMSTVO NE POKRIVA SLJEDEĆE:**

- 1) Neispravnosti uzrokovane uobičajenim trošenjem i habanjem, na primjer kotače i tkanine istrošene svakodnevnom upotrebom, ogrebotine na aluminiju i/ili metalu i prirodnu promjenu boje materijala prouzročenu vremenom ili nepridržavanjem uputa o održavanju.
- 2) Oštećenja kotača kao što su rupe i ogrebotine.
- 3) Oštećenja uzrokovana nesrećama, neispravnom upotrebom, nemarom, požarom, kontaktom s tekućinama ili drugim vanjskim uzročnikom.
- 4) Oštećenja uzrokovana neusklađenosti s korisničkim priručnikom, videozapisima s uputama ili drugim Joolzovim smjernicama.
- 5) Oštećenja uzrokovana drugim proizvodom, uključujući dodatnu opremu.
- 6) Oštećenja uzrokovana uslugom ili popravkom koji je izvršio neslužbeni predstavnik tvrtke Joolz.
- 7) Krađa.
- 8) Oštećenja uzrokovana zračnim prijenosom/prijevozom.

Tijekom razvoja kolica i nosiljke Joolz Hub, sigurnost je bila među najvažnijim stvarima. Stoga naši proizvodi ispunjavaju sljedeće sigurnosne norme:

Europa:  
EN 1888:2012 / EN 1466:2014/AC: 2015  
Sjedinjene Američke Države:  
ASTM F833-15 / ASTM F2050-16  
Kanada: SOR/2016-167  
Australija: AS/NZS 2088:2013

Ako imate pitanja i/ili primjedbi, posjetite [joolz.com](http://joolz.com), [facebook.com/myjoolz](https://facebook.com/myjoolz) ili se obratite prodajnom predstavniku.

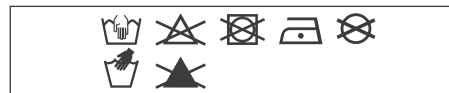
**DŮLEŽITÉ:** PŘED POUŽITÍM SI TYTO POKYNY POZORNĚ PROČTĚTE A USCHOVEJTE JE, ABYSTE DO NICH MOHLI POZDĚJI NAHLÍŽET.

## **VAROVÁNÍ** PRO KORBÚ

- + Korba Joolz Hub je vhodná pouze pro dítě, které ještě neumí sedět zpříma bez opory a neumí se samo otáčet nebo se zvednout na ruce nebo kolena. Maximální hmotnost dítěte: 9 kg.
- + Tento výrobek je vhodný pouze pro dítě, které ještě neumí sedět bez opory.
- + Používejte pouze na pevném, horizontálním, rovném a suchém podkladu.
- + Nenechávejte jiné děti hrát si bez dozoru v blízkosti korby.
- + Nepoužívejte, pokud některá součást korby chybí nebo je rozbitá či utržená.
- + Udržujte výrobek Joolz Hub mimo dosah otevřeného ohně a jiných tepelných zdrojů, jako jsou např. elektrická topná tělesa, plynové hořáky apod.
- + U rukojetí a dna korby je třeba pravidelně kontrolovat známky poškození či opotřebení.
- + Před použitím vždy zkontrolujte, zda je ke korbě/sedačce správně připevněn nárazník.
- + Hlava dítěte nesmí v korbě spočívat níže než tělo.
- + Nedávejte na matraci Joolz žádnou další matraci.
- + Používejte pouze náhradní díly dodávané nebo doporučené společností Joolz.

## **POKYNY PRO ÚDRŽBU/ČIŠTĚNÍ**

Látku čistěte vlažnou vodou a mýdlem. Opláchněte čistou vodou a nechte uschnout. Nepoužívejte bělidlo ani jiné chemické prostředky. Pravidelně (přibližně jednou za měsíc) ošetřujte kola a kovové součásti teflonovým nebo silikonovým sprejem, aby byla zajištěna správná funkce kočárku.



Hliníkové části kočárku Hub jsou ošetřeny eloxováním – jsou tak chráněny před vnějšími vlivy, například korozi. Eloxované hliníkové součásti jsou citlivé na kyselé čisticí či mazací prostředky, které na nich mohou zanechat skvrny nebo způsobit změny barvy. Proto doporučujeme čistit hliníkové části kočárku jemným hadříkem a teplou vodou.

## **ZÁRUKA**

Společnost Joolz nabízí celoživotní záruku v rámci Joolz Hub. Záruka se vztahuje na veškerý materiál a na výrobní vady, nikoliv však na výměnu nebo vrácení výrobku. Chcete-li získat nárok na doživotní záruku, stačí jen zaregistrovat svůj kočárek Joolz na adrese [register.joolz.com](https://register.joolz.com) do šesti měsíců od zakoupení a uchovat originální doklad o zakoupení s datem nákupu. Pokud neprovedete registraci svého kočárku Joolz do šesti měsíců od zakoupení, získáváte dvouletou záruku.

Záruka je platná pouze tehdy, pokud s vadným výrobkem doručíte svému prodejci následující:

- 1) Záruční list,
- 2) Jakákoli forma osobní identifikace,
- 3) Kopie dokladu o nákupu (s datem nákupu),
- 4) Podrobný popis závady.

Certifikát k záruce obdržíte po registraci kočárku Joolz na našem webu [register.joolz.com](https://register.joolz.com).

Pokud vám váš prodejce nemůže pomoci při vyřizování vaší reklamace, obraťte se na zástupce společnosti Joolz. Vezměte prosím na vědomí, že při případných opravách se dvouletá záruční doba neprodlužuje.

## **ZÁRUKA SE NEVZTAHUJE NA NÁSLEDUJÍCÍ PŘÍPADY:**

- 1) Defekty způsobené běžným opotřebením (například ojetá kola či opotřebovaná látka po každodenním používání, škrábance na hliníkových nebo kovových částech a přirozená ztráta barevnosti materiálů v průběhu času nebo v důsledku nedodržení pokynů k údržbě).
- 2) Poškození kol (díry a trhliny).
- 3) Škody způsobené nehodami, nesprávným užíváním, nedodržováním předpisů, ohněm, kontaktem s tekutinami nebo jinou externí příčinou.
- 4) Škody způsobené nedodržováním pokynů v uživatelské příručce, instruktážních filmech nebo jiných předpisech Joolz.
- 5) Škody způsobené jinými výrobky, včetně příslušenství.
- 6) Škody způsobené servisem nebo opravami, které nejsou provedeny oficiálním zástupcem Joolz.
- 7) Krádeže.
- 8) Poškození při letecké přepravě.

Při vývoji kočárku a korby Joolz Hub byla věnována mimořádná pozornost bezpečnosti. Naše výrobky jsou v plném souladu s následujícími bezpečnostními normami:

Evropa: EN 1888:2012 / EN 1466:2014/AC: 2015  
USA: ASTM F833-15 / ASTM F2050-16  
Kanada: SOR/2016-167  
Austrálie: AS/NZS 2088:2013

Máte-li nějaké otázky či připomínky, navštivte web [joolz.com](https://joolz.com), [facebook.com/myjoolz](https://facebook.com/myjoolz) nebo se obraťte na svého prodejce.

**ВАЖНО:** МОЛЯ, ВНИМАТЕЛНО ПРОЧЕТЕТЕ НАСТОЯЩИТЕ ИНСТРУКЦИИ ПРЕДИ УПОТРЕБА И ГИ ЗАПАЗЕТЕ ЗА ЦЕЛИТЕ НА БЪДЕЩИ СПРАВКИ.

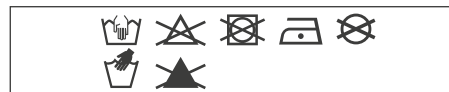
## ⚠ ПРЕДУПРЕЖДЕНИЕ

- + Трябва да използвате само резервни части, които са произведени или препоръчани от Joolz.
- + Седалката е предназначена да се използва при деца на възраст над 6 месеца и с максимално тегло от 15 кг.
- + Кошарите Joolz Hub са подходящи за деца, които не могат да стават сами, да се превъртат или да се изправят на четири крака. Максимално тегло на детето: 9 кг.
- + Този продукт е подходящ само за деца, които не могат да се изправят без помощ.
- + Използвайте само на здрава и равна суха хоризонтална повърхност.
- + Не оставяйте други деца да играят без надзор в близост до кошарата за носене.
- + Не използвайте кошарата за носене, ако има липсващи или повредени части.
- + Пазете Joolz Hub от пламъци и други източници на топлина, например електрически или газови нагреватели.
- + Дръжките и долната част на кошарата за носене трябва редовно да се проверяват за признаци на износване или повреждане.
- + Винаги се уверявайте, че предпазителят е поставен правилно, преди да използвате кошарата/седалката.
- + Главата на детето в кошарата за носене никога не трябва да бъде на по-ниско ниво спрямо тялото му.
- + Не поставяйте допълнителни дюшечета върху дюшечето, осигурено от Joolz.
- + Не трябва да използвате аксесоари, които не са произведени от Joolz.

## ИНСТРУКЦИИ ЗА ПОЧИСТВАНЕ/ПОДДРЪЖКА

Почистете тъканта с топла вода и сапун. Изплакнете с чешмяна вода и оставете да изсъхне. Никога не използвайте белина или други химически препарати.

Периодично (приблизително веднъж месечно) нанасяйте тефлон или силиконов спрей по колелата, за да гарантирате плавния ход на количката.



Алуминиевите части на количката Hub са анодизирани с цел защита срещу определени външни влияния, например корозиране. Анодизираните алуминиеви части са уязвими към киселинни почистващи препарати или смазка, които може да доведат до появата на петна или обезцветяването им. Поради тази причина Ви съветваме да почиствате алуминиевите части на количката с топла вода и мек парцал.

## ГАРАНЦИЯ

Joolz предлага гаранция за целия период на експлоатация за Joolz Hub. Гаранцията покрива всички материални и производствени дефекти, но не и смяна или връщане на продукта. За да можете да се възползвате от гаранцията за целия период на експлоатация, трябва само да регистрирате своята количка Joolz на [register.joolz.com](https://register.joolz.com) в срок от шест месеца след покупката и да запазите оригиналните доказващи покупката документи с включена дата на закупуване. Ако не регистрирате Вашата количка Joolz в срок от шест месеца след покупката, ще получите двугодишна гаранция.

Гаранцията е валидна само ако заедно с дефектния продукт представите на продавача и следните документи:

- 1) Сертификата ви за гаранция,
- 2) Документ за удостоверяване на самоличността,
- 3) Копие на разписката за покупката (с включена дата на закупуване),
- 4) Подробно описание на дефекта.

Ще получите сертификата за гаранция, след като регистрирате Вашата количка Joolz на уеб сайта ни [register.joolz.com](https://register.joolz.com).

Ако търговецът не може да Ви помогне по отношение на оплакването, се свържете с Joolz. Имайте предвид, че евентуалните ремонти не удължават гаранционния период.

## ГАРАНЦИЯТА НЕ ПОКРИВА:

- 1) Дефекти, причинени от нормално износване и скъсване, като например износени от ежедневна употреба колела и тъкани, драскотини по алуминиевите и/или металните части и естествено обезцветяване на материалите във времето или поради неспазване на инструкциите за поддръжка.
- 2) Повреда на колелата, като например дупки и скъсвания.
- 3) Повреда, причинена от инциденти, неправилна употреба, огън, контакт с течности или друго външно влияние.
- 4) Повреда в резултат от несъблюдаването на ръководството за експлоатация, филмите с инструкции или други указания.
- 5) Повреда, причинена от друг продукт, включително аксесоари.
- 6) Повреда от сервизни работи или ремонти, извършени от неофициален представител на Joolz.
- 7) Кражба.
- 8) Транспортиране по въздух или повреда на товара.

По време на разработването на количката и кошчето Joolz Hub обърнахме специално внимание на безопасността. Така нашите продукти отговарят на следните стандарти за безопасност:

За Европа: EN 1888:2012 / EN 1466:2014/AC: 2015  
За САЩ: ASTM F833-15 / ASTM F2050-16  
За Канада: SOR/2016-167  
За Австралия: AS/NZS 2088:2013

Ако имате някакви въпроси и/или забележки, посетете [joolz.com](https://joolz.com), [facebook.com/myjoolz](https://facebook.com/myjoolz) или се свържете с Вашия търговец.



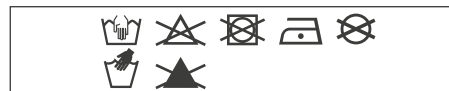
**IMPORTANT:** VĂ RUGĂM SĂ CITIȚI ACESTE INSTRUCȚIUNI CU ATENȚIE ÎNAINTE DE UTILIZARE ȘI SĂ LE PĂSTRAȚI PENTRU CONSULTARE ULTERIOARĂ.

## **AVERTISMENT** PENTRU LANDOUL DE TRANSPORT

- + Landoul Joolz Hub este adecvat pentru un copil care nu se poate ridica fără ajutor, nu se poate rostogoli și nu se poate ridica sprijinindu-se în mâini și genunchi. Greutatea maximă a copilului: 9 kg.
- + Acest produs este adecvat doar pentru un copil care nu se poate ridica fără ajutor.
- + Utilizați doar pe o suprafață fermă, orizontală și uscată.
- + Nu lăsați alți copii să se joace nesupravegheați în apropierea landoului de transport.
- + Nu utilizați dacă vreă parte a landoului de transport este defectă, uzată sau lipsește.
- + Feriți căruciorul Joolz Hub de flăcări deschise și alte surse de căldură, precum reșouri electrice, incendii cauzate de gaze etc.
- + Mânerele și baza landoului de transport trebuie inspectate periodic pentru semne de deteriorare și uzură.
- + Asigurați-vă întotdeauna că bara amortizoare este cuplată corect la landou/unitățile de scaun înainte de utilizare.
- + Capul copilului din landoul de transport nu trebuie să fie mai jos decât corpul copilului.
- + Nu așezați o saltea suplimentară peste salteaua furnizată de Joolz.
- + Trebuie utilizate doar piesele furnizate sau recomandate de Joolz.

## **ÎNTREȚINEREA / INSTRUCȚIUNI DE SPĂLARE**

Curățați țesătura cu apă caldă și săpun. Clătiți cu apă proaspătă și lăsați la uscat. Nu utilizați niciodată înălbitor sau alți detergenți chimici. Tratați periodic (aproximativ o dată pe lună) roțile și piesele metalice cu Teflon sau spray cu silicon pentru a asigura rularea lină a căruciorului.



Piesele de aluminiu ale căruciorului Hub sunt eloxate pentru a-l proteja de influențele externe precum coroziunea. Piesele de aluminiu eloxate sunt vulnerabile la agenți de curățare acizi sau la unsoare, care pot cauza pete sau decolorarea pieselor din aluminiu. Prin urmare, vă sfătuim să curățați piesele din aluminiu ale căruciorului dvs. cu apă caldă și o cârpă moale.

## **GARANȚIE**

Joolz oferă o garanție pe viață în Joolz Hub. Garanția acoperă toate defectele materiale și de fabricație, dar nu și schimbul sau returnarea produsului. Pentru a beneficia de garanția pe viață, tot ce trebuie să faceți este să vă înregistrați căruciorul dvs. Joolz pe [register.joolz.com](https://register.joolz.com) în termen de șase luni de la achiziționare și să păstrați dovada inițială a achiziționării, inclusiv data achiziționării. Dacă nu vă înregistrați căruciorul dvs. Joolz în termen de șase luni de la achiziționare, veți primi o garanție de doi ani.

Garanția este valabilă doar dacă furnizați următoarele elemente retailerului dvs. împreună cu produsul defect:

- 1) Certificatul de garanție,
- 2) Orice formă de identificare personală,
- 3) O copie a chitanței de cumpărare (care include o dată de cumpărare),
- 4) O descriere detaliată a defectului.

Veți primi certificatul de garanție după ce ați înregistrat căruciorul dvs. Joolz pe site-ul nostru [register.joolz.com](https://register.joolz.com).

Dacă retailerul dvs. nu vă poate asista cu reclamația dvs., contactați Joolz. Rețineți că reparațiile nu prelungesc perioada de garanție.

## **GARANȚIA NU ACOPERĂ:**

- 1) Defecte cauzate de uzura obișnuită, precum roțile uzate și materiale uzate prin utilizarea zilnică, zgârieturi pe aluminiu și/sau pe metal și decolorarea naturală a materialelor în timp sau nerespectarea instrucțiunilor de întreținere.
- 2) Deteriorări ale roților, precum orificiile și lacrimile.
- 3) Deteriorări cauzate de accidente, utilizare necorespunzătoare, neglijență, incendiu, contact cu lichide sau alte cauze.
- 4) Deteriorări rezultate din nerespectarea manualului de instrucțiuni, a filmelor de instrucțiuni sau a altor recomandări joolz.
- 5) Deteriorări cauzate de un alt produs, inclusiv accesorii.
- 6) Deteriorări din service sau din reparații efectuate de către un reprezentant neoficial al joolz.
- 7) Furt.
- 8) Deteriorări cauzate de transportul aerian sau de mărful.

Siguranța a fost un factor important pe parcursul dezvoltării căruciorului și a landoului Joolz Hub. Așadar, produsele noastre respectă următoarele standarde de siguranță:

Europa: EN 1888:2012 / EN 1466:2014/AC: 2015  
 Statele Unite: ASTM F833-15 / ASTM F2050-16  
 Canada: SOR/2016-167  
 Australia: AS/NZS 2088:2013

Vizitați [joolz.com](https://joolz.com), [facebook.com/myjoolz](https://facebook.com/myjoolz) sau contactați retailerul dvs. pentru orice întrebări și/sau comentarii.

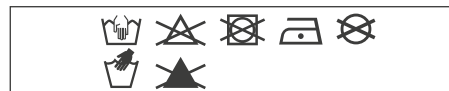
**VAŽNO:** PAŽLJIVO PROČITAJTE OVO UPUTSTVO PRE KORIŠĆENJA I SAČUVAJTE GA ZA KASNIJE.

## UPOZORENJE ZA KOLEVKU ZA NOŠENJE

- + Joolz Hub kolevka je pogodna za decu koja ne mogu sama da sede, okreću se i uspravljaju pomoću ruku i kolena. Maksimalna težina deteta: 9 kg.
- + Ovaj proizvod je pogodan samo za dete koje ne može samo da sedi.
- + Koristite samo na čvrstoj, horizontalnoj ravnoj i suvoj površini.
- + Nemojte dozvoliti drugoj deci da se igraju bez nadzora u blizini kolevke za nošenje.
- + Nemojte koristiti ako je bilo koji deo kolevke za nošenje polomljen, pocepan ili nedostaje.
- + Držite Joolz Hub dalje od otvorene vatre i drugih izvora toplote, kao što su električne grejalice, peći na gas, itd.
- + Ručke na dnu kolevke za nošenje treba redovno pregledati radi pojave eventualnih znakova oštećenja i habanja.
- + Uvek se uverite da je branik pravilno pričvršćen za jedinicu kolevke/sedišta pre upotrebe.
- + Glava deteta u kolvci za nošenje nikada ne treba da bude niže od tela deteta.
- + Nemojte stavljati dodatni madrac na madrac koji obezbeđuje Joolz.
- + Treba koristiti samo rezervne delove koje isporučuje ili preporučuje kompanija Joolz.

## UPUTSTVO ZA ODRŽAVANJE/ PRANJE

Očistite tkaninu mlakom vodom i sapunom. Isperite svežom vodom i ostavite da se osuši. Nikada nemojte koristiti izbeljivač ili druge hemijske deterdžente. Periodično (otprilike jednom mesečno) tretirajte točkove i metalne delove Teflon ili silikonskim sprejem da biste obezbedili neometano kretanje kolica.



Aluminijumski delovi Hub kolica su anodizirani da bi se kolica zaštitila od uticaja kao što je rđa. Anodizirani aluminijumski delovi su osetljivi na kisela sredstva za čišćenje ili mast, što može da izazove mrlje i promenu boje aluminijumskih delova. Stoga preporučujemo da aluminijumske delove kolica čistite toplom vodom i mekom krpom.

## GARANCIJA

Joolz nudi doživotnu garanciju za kolica Joolz Hub. Garancija pokriva sve nedostatke materijala i nedostatke u izradi, ali ne i zamenu ili vraćanje proizvoda. Da biste dobili doživotnu garanciju, sve što treba da uradite jeste da registrujete svoja dečja kolica Joolz na [register.joolz.com](http://register.joolz.com) u roku od šest meseci od kupovine i sačuvate svoj originalni račun na kojem se vidi datum kupovine. Ako svoja kolica Joolz ne registrujete u roku od šest meseci od kupovine, dobićete dvogodišnju garanciju.

Garancija važi samo ako dostavite sledeće stavke trgovcu u maloprodaji zajedno sa neispravnim proizvodom:

- 1) Vašu potvrdu o garanciji,
- 2) Bilo koji lični dokument,
- 3) Kopiju računa (na kojem se vidi datum kupovine),
- 4) Detaljan opis nedostatka.

Potvrdu o garanciji ćete dobiti nakon što registrujete svoja Joolz kolica na našoj veb stranici [register.joolz.com](http://register.joolz.com).

Ako trgovac u maloprodaji ne može da vam pomogne oko reklamacije, obratite se kompaniji Joolz. Imajte na umu da eventualne popravke ne pružavaju garantni rok.

## GARANCIJA NE POKRIVA:

- 1) Neispravnosti izazvane uobičajenim habanjem, poput istrošenih točkova i tkanine usled svakodnevnog korišćenja, ogrebotina na aluminijumskim i/ili metalnim delovima, kao i promena boje materijala uzrokovane protokom vremena ili nepridržavanjem uputstava o održavanju.
- 2) Oštećenja točkova poput rupa i pukotina.
- 3) Oštećenja uzrokovana nezgodama, nepravilnom upotrebom, neparom, požarom, kontaktom sa tečnostima ili drugim spoljnim uzrocima.
- 4) Oštećenja nastala usled nepridržavanja priručnika za upotrebu, kratkih filmova sa uputstvima i drugih smernica kompanije Joolz;
- 5) Oštećenja uzrokovana drugim proizvodom, uključujući dodatnu opremu.
- 6) Oštećenja nastala servisiranjem ili popravkom od strane osobe koja nije ovlašćeni predstavnik kompanije Joolz.
- 7) Krađu.
- 8) Oštećenja nastala tokom avionskog i teretnog prevoza.

Prilikom razvoja Joolz Hub kolica i krevca, bezbednost je bila važna stavka. Naši proizvodi stoga ispunjavaju sledeće bezbednosne standarde:

Evropa: EN 1888:2012 / EN 1466:2014/AC: 2015  
Sjedinjene Američke Države: ASTM F833-15 / ASTM F2050-16  
Kanada: SOR/2016-167  
Australija: AS/NZS 2088:2013

Posetite [joolz.com](http://joolz.com), [facebook.com/myjoolz](https://facebook.com/myjoolz) ili se obratite maloprodaji za sva pitanja i/ili komentare.

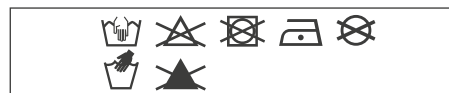
**FONTOS:** HASZNÁLAT ELŐTT KÉRJÜK, OLVASSA EL AZ ALÁBBI UTASÍTÁSOKAT, ÉS A TOVÁBBI HASZNÁLAT ÉRDEKÉBEN ŐRIZZE MEG.

## ⚠ FIGYELMEZTETÉS

- + A Joolz Hub mózeskosár olyan gyermeknek megfelelő, aki még nem tud egyedül felülni, nem tud megfordulni és nem tud négykézlábra állni. A gyermek maximális testsúlya: 9 kg.
- + Ez a termék csak olyan gyermek esetén használható, aki még nem tud egyedül felülni.
- + Kizárólag szilárd, vízszintes és száraz felületen használja.
- + Ne hagyja, hogy más gyermekek felügyelet nélkül játszanak a hordozható mózeskosár közelében.
- + Ne használja a hordozható mózeskosarat, ha valamelyik része eltört, elszakadt vagy hiányzik.
- + A Joolz Hub terméket tartsa távol nyílt lángtól és más hőforrástól, például elektromos fűtőtestektől, gázüzemű fűtőeszközöktől stb.
- + A hordozható mózeskosár karját és alját rendszeresen ellenőrizze, hogy nem sérült vagy kopott-e.
- + Használat előtt mindig győződjön meg róla, hogy a kiesés-gátló kar megfelelően van rögzítve a mózeskosárhoz/ülőrész-egységhez.
- + A hordozható mózeskosárban a gyermek fejének mindig feljebb kell lennie, mint a testének.
- + Ne tegyen további matracokat a Joolz matracra.
- + Csak a Joolz által biztosított vagy ajánlott cserealkatrészeket használjon.

## KARBANTARTÁSRA / MOSÁSRA VONATKOZÓ UTASÍTÁSOK

A huzatot langyos, szappanos vízzel tisztítsa. Friss vízzel öblítse át, és hagyja megszáradni. Soha ne használjon öblítőt vagy egyéb vegyszereket. Rendszeresen (nagyjából havonta egyszer) a kerekeket és a fém alkatrészeket kezelje teflon- vagy szilikon spray-vel, így biztosítva a babakocsi egyenletes gördülését.



A Hub babakocsi alumínium alkatrészei galvanizáltak, ami megvédi a külső hatásoktól, például a rozsdától. A galvanizált alumínium alkatrészek érzékenyek a savas tisztítószerre vagy kenőzsírokra. Ezek foltot hagyhatnak vagy az alumínium alkatrészek elszíneződését okozhatják. Ezért azt ajánljuk, hogy a babakocsi alumínium alkatrészeit langyos vízzel és puha törlőkendővel tisztítsa.

## GARANCIA

A Joolz élethosszig tartó garanciát biztosít a Joolz Hub termékre. A garancia az anyaghibákra és gyártási hibákra terjed ki, de nem tartalmazza a termék cseréjét vagy visszaküldését. Az élethosszig tartó garancia érvényesítéséhez nem kell mást tennie, mint a vásárlástól számított hat hónapon belül regisztrálnia Joolz típusú babakocsiját a [register.joolz.com](https://register.joolz.com) weboldalon és megtartani a vásárláskor kapott eredeti bizonylatot, amelyen a dátum is szerepel. Amennyiben a vásárlást követő hat hónapon belül nem regisztrálja Joolz babakocsiját, akkor Ön kétéves garanciára lesz jogosult.

A garancia akkor érvényes, ha a hibás termékkel együtt az alábbi tételeket is átadja a kereskedőnek:

- 1) A garancialevelet,
- 2) A személyazonosságot igazoló bármilyen okmányt,
- 3) A vásárlást igazoló nyugta másolatát (amely tartalmazza a vásárlás dátumát),
- 4) A hiba részletes leírását.

A garancialevelet azután kapja meg, miután regisztrálta a [register.joolz.com](https://register.joolz.com) weboldalunkon a megvásárolt Joolz babakocsi.

Ha a kereskedő nem tudja megoldani a panaszát, vegye fel a kapcsolatot a Joolz vállalattal. Kérjük, vegye figyelembe, hogy a javítások nem hosszabbítják meg a garanciális időszakot.

## A GARANCIA NEM FEDEZI A KÖVETKEZŐKET:

- 1) Az általános elhasználódás során keletkező hibákat, például a kerekek mindennapos használat miatti kopását, az alumínium és/vagy fém részek karcosodását és az anyagok természetes vagy a kézikönyvnek nem megfelelő használat okozta elszíneződését.
- 2) A kerekeken keletkezett lyukakat és az elhasználódás nyomait.
- 3) Baleset miatti, helytelen használatból, hanyagságból bekövetkezett, tűz, folyadék vagy egyéb külső tényező okozta kárt.
- 4) A kézikönyvnek, a használatot bemutató videónak vagy az egyéb Joolz útmutatásnak való meg nem felelésből keletkező kárt.
- 5) Más termék okozta kárt, ide értve a tartozékokat is.
- 6) A Joolz nem hivatalos képviselője által végzett szervizből vagy javításból származó kárt.
- 7) Lopást.
- 8) Légi vagy egyéb szállításból származó kárt.

A biztonság kiemelt szempont volt a Joolz Hub babakocsi és kosár tervezésekor. Ezért a termékeink megfelelnek az alábbiakban felsorolt szabványoknak:

Európa: EN 1888:2012 / EN 1466:2014/AC: 2015  
 Egyesült Államok: ASTM F833-15 / ASTM F2050-16  
 Kanada: SOR/2016-167  
 Ausztrália: AS/NZS 2088:2013

Ha kérdése merülne fel, vagy szeretne visszajelzést küldeni nekünk, akkor látogasson el a [joolz.com](https://joolz.com) oldalra, a [facebook.com/myjoolz](https://facebook.com/myjoolz) oldalra, vagy vegye fel a kapcsolatot a forgalmazójával.

**DÔLEŽITÉ:** STAROSTLIVO SI PROSÍM PREČÍTAJTE PRED POUŽITÍM TIETO POKYNY A USCHOVAJTE ICH PRE BUDÚCE POUŽITIE.

## VAROVANIE

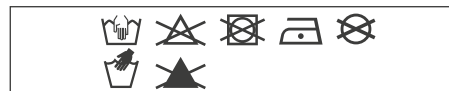
### TÝKAJÚCE SA KORBY

- + Vanička Joolz Hub je vhodná pre dieťa, ktoré nemôže sedieť samo, nemôže sa prevrátiť, vytlačiť sa hore, dvíhať sa na ruky a kolená. Minimálna hmotnosť dieťaťa: 9 kg.
- + Tento výrobok je vhodný iba pre dieťa, ktoré nemôže sedieť bez pomoci.
- + Používajte len na pevnom, vodorovnom rovnom a suchom povrchu.
- + Nenechajte ostatné deti hrať sa bez dozoru v blízkosti korby.
- + Nepoužívajte kočík, ak je niektorá časť korby zlomená, zatrhnutá alebo chýba.
- + Udržujte Joolz Hub v dostatočnej vzdialenosti od otvoreného ohňa či iných zdrojov tepla, ako sú elektrické ohrievače, plynové ohrievače, atď.
- + Rukoväť a spodná časť korby by mali byť pravidelne prekontrolované na známky poškodenia a opotrebovania.
- + Vždy pred použitím skontrolujte, či je nárazník správne zapojený k vaničke/sedačke.
- + Hlava dieťaťa by na korbe nikdy nemala byť nižšia ako telo dieťaťa.
- + Nedávajte ďalšiu matrac na matrace dodané firmou Joolz.
- + Mali by byť použité iba náhradné diely dodávané alebo doporučené firmou Joolz.

## NÁVOD NA ÚDRŽBU/UMÝVANIE

Vyčistite tkaninu s vlažnou vodou a mydlom.

Opláchnite vlažnou vodou a nechajte uschnúť. Nikdy nepoužívajte bieliná alebo iné chemické čistiace prostriedky. Pravidelne (približne raz za mesiac) namažte kolesá a kovové diely s teflónovým alebo silikónovým sprejom s cieľom zabezpečiť aby kočík hladko fungoval.



Hliníkové časti vášho kočíka Hub sú eloxované, aby bol chránený pred vonkajšími vplyvmi, ako je korózia. Časti z eloxovaného hliníka sú citlivé na kyslé prostredie alebo mastnotu, ktoré môžu spôsobiť škvrny a zafarbenie hliníkových dielov. Preto vám odporúčame očistiť hliníkové časti vášho kočíka s teplou vodou a mäkkou handričkou.

## ZÁRUKA

Joolz ponúka celoživotnú záruku na Joolz Hub. Záruka sa vzťahuje na všetky materiálové vady a výrobné chyby, nie však na výmenu alebo vrátenie výrobku. Na získanie nároku na záruku na celé obdobie životnosti stačí, ak svoj kočík Joolz zaregistrujete do šiestich mesiacov od jeho zakúpenia na webovej stránke [register.joolz.com](http://register.joolz.com). Originálny doklad o kúpe obsahujúci dátum nákupu si uschovejte. Pokiaľ svoj kočík Joolz nezaregistrujete do šiestich mesiacov od jeho zakúpenia, získate dvojročnú záruku.

Záruka je platná iba vtedy, ak dodáte svojmu predajcovi spolu s chybným výrobkom nasledujúce položky:

- 1) Váše osvedčenie o záruke,
- 2) Akýkoľvek doklad totožnosti,
- 3) Kópiu dokladu o kúpe (ktorý obsahuje dátum nákupu),
- 4) Podrobný opis vady.

Osvedčenie o záruke dostanete po zaregistrovaní svojho kočíka Joolz na našej webovej stránke [register.joolz.com](http://register.joolz.com).

Ak vám váš predajca nemôže pomôcť s vašou

reklamáciou, obráťte sa na firmu Joolz. Upozorňujeme vás, že opravy nepredlžujú záručnú dobu.

## ZÁRUKA SA NEVŽŤAHUJE NA:

- 1) Chyby spôsobené bežným opotrebením, ako sú opotrebované kolesá a tkaniny v dôsledku každodenného používania, škrabance na hliníku a/alebo kove a prirodzená zmena farby materiálu, ku ktorej časom dochádza, prípadne chyby spôsobené nedodržaním pokynov na údržbu.
- 2) Poškodenie kolies, ako sú diery a trhliny.
- 3) Poškodenie spôsobené nehodou, nesprávnym použitím, nedbalosťou, požiarom, stykom s kvapalinami alebo iným vonkajším vplyvom.
- 4) Poškodenie, ku ktorému dôjde v dôsledku nedodržania pokynov uvedených v návode na použitie, inštruktážnych filmoch alebo iných usmerneniach spoločnosti joolz.
- 5) Poškodenie spôsobené iným výrobkom vrátane príslušenstva.
- 6) Poškodenie spôsobené servisom alebo opravou vykonanými neoficiálnym zástupcom spoločnosti joolz.
- 7) Odcudzenie.
- 8) Poškodenie spôsobené počas leteckej prepravy alebo nákladnej prepravy.

Bezpečnosť bola pri celom vývoji kočíka a vanička Joolz Hub dôležitým hľadiskom. Naše výrobky preto spĺňajú tieto bezpečnostné normy:

Európa: EN 1888:2012 / EN 1466:2014/AC: 2015  
Spojené štáty americké:

ASTM F833-15 / ASTM F2050-16

Kanada: SOR/2016-167

Austrália: AS/NZS 2088:2013

Navštívte [joolz.com](http://joolz.com), [facebook.com/myjoolz](https://facebook.com/myjoolz) alebo sa obráťte na svojho predajcu pre prípadné otázky a / alebo pripomienky.

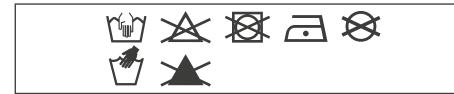
**ΣΗΜΑΝΤΙΚΟ:** ΔΙΑΒΑΣΤΕ ΑΥΤΕΣ ΤΙΣ ΟΔΗΓΙΕΣ ΠΡΟΣΕΚΤΙΚΑ ΠΡΙΝ ΑΠΟ ΤΗ ΧΡΗΣΗ ΚΑΙ ΦΥΛΑΞΤΕ ΤΙΣ ΓΙΑ ΜΕΛΛΟΝΤΙΚΗ ΑΝΑΦΟΡΑ.

## ⚠ ΠΡΟΕΙΔΟΠΟΙΗΣΗ

- + Το λίκνο Joolz Hub είναι κατάλληλο για παιδιά που δεν μπορούν να καθίσουν χωρίς βοήθεια, να γυρίσουν ανάποδα και να στηριχθούν στα χέρια και τα πόδια τους. Μέγιστο βάρος παιδιού: 9 kg.
- + Το προϊόν είναι κατάλληλο μόνο για παιδιά που δεν μπορούν να καθίσουν χωρίς βοήθεια.
- + Χρησιμοποιείτε μόνο σε σταθερή, οριζόντια και στεγνή επιφάνεια.
- + Μην αφήνετε άλλα παιδιά να παίζουν χωρίς επιτήρηση κοντά στο λίκνο μεταφοράς.
- + Μη χρησιμοποιείτε το λίκνο μεταφοράς σε περίπτωση που έχει σπάσει, σχιστεί ή λείπει κάποιο τμήμα του.
- + Κρατήστε το Joolz Hub μακριά από ανοιχτές φλόγες και άλλες πηγές θερμότητας, όπως ηλεκτρικές θερμάστρες, τζάκια αερίου κ.λπ.
- + Οι λαβές και το κάτω μέρος του λίκνου μεταφοράς πρέπει να ελέγχονται τακτικά για ενδείξεις ζημιάς και φθοράς.
- + Να βεβαιώνετε πάντα ότι η προστατευτική μπάρα είναι σωστά ασφαλισμένη στη διάταξη λίκνου/ καθίσματος πριν από τη χρήση.
- + Το κεφάλι του παιδιού στο λίκνο μεταφοράς δεν πρέπει ποτέ να βρίσκεται πιο χαμηλά από το σώμα του.
- + Μην τοποθετείτε επιπλέον στρώμα πάνω στο στρώμα που παρέχεται από την Joolz.
- + Πρέπει να χρησιμοποιούνται μόνο ανταλλακτικά που παρέχονται ή συνιστώνται από την Joolz.

## ΣΥΝΤΗΡΗΣΗ / ΟΔΗΓΙΕΣ ΠΛΥΣΙΜΑΤΟΣ

Καθαρίστε το ύφασμα με χλιαρό νερό και σαπούνι. Ξεπλύνετε με καθαρό νερό και αφήστε το να στεγνώσει. Μη χρησιμοποιείτε ποτέ χλωρίνη ή άλλα χημικά απορρυπαντικά. Ανά τακτά χρονικά διαστήματα (περίπου μία φορά το μήνα) να χρησιμοποιείτε Teflon ή σπρέι σιλικόνης στους τροχούς και τα μεταλλικά μέρη, για να διασφαλίζετε την ομαλή κίνηση του καροτσιού.



Τα μέρη του καροτσιού Hub από αλουμίνιο είναι ανοδιωμένα για να προστατεύονται από εξωτερικές επιδράσεις όπως η διάβρωση. Τα μέρη από ανοδιωμένο αλουμίνιο είναι ευάλωτα σε όξινα καθαριστικά ή γράσο, τα οποία μπορεί να προκαλέσουν λεκέδες και αποχρωματισμούς στο αλουμίνιο. Συνεπώς, συνιστάται να καθαρίζετε τα μέρη του καροτσιού από αλουμίνιο με ζεστό νερό και ένα μαλακό πανί.

## ΕΓΓΥΗΣΗ

Η Joolz προσφέρει διά παντός εγγύηση για το Joolz Hub. Η εγγύηση καλύπτει όλα τα ελαττώματα υλικού και κατασκευής, αλλά όχι την ανταλλαγή ή επιστροφή του προϊόντος. Για να δικαιούστε την εγγύηση διά παντός, το μόνο που πρέπει να κάνετε είναι να καταχωρίσετε το καρότσι σας Joolz στη διεύθυνση [register.joolz.com](http://register.joolz.com) μέσα σε έξι μήνες από την αγορά και να κρατήσετε την αρχική απόδειξη αγοράς που περιλαμβάνει και την ημερομηνία αγοράς. Σε περίπτωση που δεν καταχωρίσετε το καρότσι σας Joolz εντός έξι μηνών από την αγορά, θα λάβετε εγγύηση δύο ετών.

Η εγγύηση ισχύει μόνο αν προσκομίσετε στο μεταπωλητή σας το ελαττωματικό προϊόν μαζί με τα παρακάτω:

- 1) πιστοποιητικό εγγύησης,
- 2) οποιοδήποτε έγγραφο που να πιστοποιεί την ταυτότητά σας,
- 3) αντίγραφο της απόδειξης αγοράς (συμπεριλαμβανομένης της ημερομηνίας αγοράς),
- 4) λεπτομερή περιγραφή του ελαττώματος.

Θα παραλάβετε το πιστοποιητικό εγγύησης μετά την καταχώριση του καροτσιού σας Joolz στον ιστότοπό μας, [register.joolz.com](http://register.joolz.com).

Αν ο μεταπωλητής δεν μπορεί να βοηθήσει με το πρόβλημά σας, επικοινωνήστε με την Joolz. Έχετε υπόψη ότι οποιαδήποτε επισκευή δεν παρατείνει την περίοδο εγγύησης.

## Η ΕΓΓΥΗΣΗ ΔΕΝ ΚΑΛΥΠΤΕΙ:

- 1) Ελαττώματα που έχουν προκληθεί από φυσιολογικές ζημιές και φθορές, όπως φθαρμένοι τροχοί και υφάσματα λόγω καθημερινής χρήσης, γρατζουνιές στα μέρη από αλουμίνιο ή/και μέταλλο και φυσικό αποχρωματισμό των υλικών με την πάροδο του χρόνου ή ελαττώματα που προκλήθηκαν επειδή δεν τηρήθηκαν οι οδηγίες συντήρησης.
- 2) Ζημιές στους τροχούς, όπως τρύπες και σχισίματα.
- 3) Ζημιές που έχουν προκληθεί από ατυχήματα, ακατάλληλη χρήση, αμέλεια, πυρκαγιά, επαφή με υγρά ή άλλες εξωτερικές αιτίες.
- 4) Ζημιές που οφείλονται σε μη συμμόρφωση με το εγχειρίδιο οδηγιών, τις ταινίες οδηγιών ή άλλες οδηγίες από την Joolz.
- 5) Ζημιές που έχουν προκληθεί από άλλα προϊόντα, συμπεριλαμβανομένων των αξεσουάρ.
- 6) Ζημιές από σέρβις ή επισκευή από μη επίσημο αντιπρόσωπο της Joolz.
- 7) Κλοπή.
- 8) Ζημιές κατά την αερομεταφορά ή την αποστολή.

Η ασφάλεια ήταν σημαντικός παράγοντας σε ολόκληρο το σχεδιασμό του καροτσιού και του λίκνου Joolz Hub. Τα προϊόντα μας επομένως πληρούν τα παρακάτω πρότυπα ασφαλείας:

Ευρώπη: EN 1888:2012 / EN 1466:2014/AC: 2015  
 Ηνωμένες Πολιτείες: ASTM F833-15 / ASTM F2050-16  
 Καναδάς: SOR/2016-167  
 Αυστραλία: AS/NZS 2088:2013

Επισκεφτείτε τις διευθύνσεις [joolz.com](http://joolz.com), [facebook.com/mjoolz](https://www.facebook.com/mjoolz) ή επικοινωνήστε με το μεταπωλητή σας για τυχόν ερωτήσεις ή/και σχόλια.

**هام:** يرجى قراءة هذه التعليمات جيداً قبل استعمال المهد والاحتفاظ بها للرجوع إليها مستقبلاً.

## ⚠ تحذير فيما يخص المهد المحمول

- مهد Joolz Hub مناسب للطفل غير القادر على الجلوس من دون مساعدة والتدريج والدفع بنفسه إلى الأعلى على يديه وركبتيه. الوزن الأقصى للطفل: كلف هذا المنتج مناسب فقط للطفل غير القادر على الجلوس من دون مساعدة.
- للاستعمال فقط على سطح صلب مستو وجاف.
- ينبغي عدم السماح للأطفال باللعب بالقرب من المهد من دون مراقبة.
- ينبغي عدم استخدام المهد إذا كان أي جزء من أجزائه مكسوراً أو مقطّعاً أو مفقوداً.
- يحفظ مهد Joolz Hub بعيداً عن النار المفتوحة ومصادر حرارة أخرى، مثل أجهزة التدفئة الكهربائية ونيران الغاز.
- ينبغي معاينة مقابض وقاع المهد المحمول بانتظام للتحقق من وجود علامات التلف والاهتراء.
- ينبغي دوماً التأكد من أن يكون القضيبي الماص للصددمات مربوطاً بشكل صحيح بالمهد/وحدات المقعد قبل الاستعمال.
- ينبغي ألا يكون رأس الطفل في المهد المحمول على مستوى أخفض من جسده.
- ينبغي عدم وضع مرتبة إضافية فوق المرتبة التي تم توفيرها من طرف

خطر الاختناق: قد يحدث ويتدرج حامل الطفل فوق أسطح ليّنة ويسبب في اختناق الطفل. لا يجب مطلقاً وضع حامل الطفل على الأسرة والمقاعد أو أسطح ليّنة أخرى.

خطر السقوط: قد تسبب حركات الطفل في تزلزل حامل الطفل.

لا يجب مطلقاً وضع حامل الطفل بالقرب من حواف أسطح المناضد أو الطاولة أو أسطح مرتفعة أخرى.

## تعليمات الصيانة/التنظيف

ينظف القماش بالماء الفاتر والصابون. يشطف بماء نقي ويترك ليجف. لا تستعملوا مطلقاً الكلور المبيض أو مواد تنظيف كيميائية أخرى. تعالج العجلات والأجزاء المعدنية من حين لآخر (مرة في الشهر تقريباً) بسبراي التفلون أو السيلكون لضمان عمل كرسي الدفع بسلاسة.



تم طلاء أجزاء الألمنيوم لكرسي الدفع من Hub بأكسيد الألمنيوم لحمايتها من التأثيرات الخارجية مثل التآكل والأكسدة. تتأثر أجزاء الألمنيوم المطلية بأكسيد الألمنيوم بمواد التنظيف أو التشحيم الحمضية التي قد تسبب في ظهور بقع وتغير في لون أجزاء الألمنيوم. لذلك ننصحكم بتنظيف أجزاء الألمنيوم لكرسي الدفع الخاص بكم بماء دافئ وقطعة قماش ناعمة.

## الضمان

توفر Joolz ضماناً على مدى الحياة لمنتج Joolz Hub. يشمل الضمان جميع المواد وعيوب التصنيع، لكنه لا يشمل استبدال أو إرجاع المنتج. للحصول على الضمان على مدى الحياة ما عليكم إلا تسجيل كرسي الدفع Joolz الخاص بكم على [register.joolz.com](http://register.joolz.com) خلال ستة أشهر من شرائكم للمنتج والاحتفاظ بوصل الشراء الأصلي، بما في ذلك تاريخ الشراء. إذا لم تسجلوا كرسي الدفع Joolz الخاص بكم خلال ستة أشهر من شرائكم للمنتج، فسوف تحصلون على ضمان سنتين.

الضمان صالح فقط إذا أرسلتم المنتج المعيب لبائعكم مصحوباً بالوثائق التالية.

- (١) شهادة الضمان الخاصة بكم،
  - (٢) أي نوع من بطاقات التعريف الشخصية،
  - (٣) صورة لوصل الشراء الأصلي (بما في ذلك تاريخ الشراء)،
  - (٤) وصف مفصل ودقيق للعيب.
- سوف تتوصلون بشهادة الضمان بعد تسجيلكم لكرسي الدفع Joolz الخاص بكم على موقعنا [register.joolz.com](http://register.joolz.com).

إذا لم يتمكن بائعكم من مساعدتكم لحل شكايتكم، يرجى الاتصال بشركة Joolz. يرجى الملاحظة بأن الإصلاحات لا تمدد فترة الضمان.

## لا يشمل الضمان ما يلي:

- (١) العيوب الناتجة عن الاهتراء العادي، مثل العجلات والقماش المهترئ نتيجة الاستعمال اليومي، والخدوش على أجزاء الألمنيوم و/أو الأجزاء المعدنية، والتغير الطبيعي للون المواد مع الزمن، أو بسبب عدم اتباع تعليمات الصيانة.
- (٢) الأضرار التي تطال العجلات من قبيل الثقوب والتمزقات.
- (٣) الأضرار الناجمة عن الحوادث أو الاستعمال غير الصحيح أو الإهمال أو الحريق أو السوائل أو أسباب خارجية أخرى.
- (٣) الأضرار الناجمة عن عدم اتباع دليل التعليمات أو أشرطة التعليمات أو الخطوط الإرشادية الأخرى لـ Joolz.
- (٤) الأضرار التي يسببها منتج آخر، بما فيه الإكسسوارات.
- (٥) الأضرار الناجمة عن الخدمات أو الإصلاحات التي يقوم بها ممثل غير رسمي لـ Joolz.
- (٦) السرقة.
- (٧) الأضرار الناجمة عن النقل الجوي أو الشحن.

لقد تم إلقاء العناية الكاملة لمسألة السلامة في كل مراحل تطوير مهد وكرسي الدفع من Joolz Hub. لذلك فمنتجاتنا تستوفي معايير السلامة التالية:

أوروبا: EN 1888:2012 / EN 1466:2014/AC: 2015  
الولايات المتحدة: ASTM F833-15 / ASTM F2050-16  
كندا: SOR/2016-167  
أستراليا AS/NZS 2088:2013

يرجى زيارة [joolz.com](http://joolz.com) أو [facebook.com/myjoolz](https://facebook.com/myjoolz) أو الاتصال ببائعكم بخصوص أي أسئلة و/أو ملاحظات.

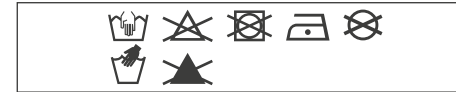
**BELANGRIK:** LEES ASSEMBLIEF HIERDIE INSTRUKSIES NOUKEURIG VÓÓR GEBRUIK EN HOU DIT OM IN DIE TOEKOMS TE RAADPLEEG.

## ⚠️ WAARSKUWING VIR DIE DRABEDJIE

- + Die Joolz Hub -bababedjie is geskik vir 'n kind wat nie alleen kan regopsit, omrol of hom-/haarself op sy/haar hande en knie kan opdruk nie. Maksimum gewig van die kind: 9 kg.
- + Dié produk is slegs geskik vir 'n kind wat nie sonder ondersteuning kan regopsit nie.
- + Gebruik slegs op 'n ferm, horisontaal-gelyk en droë oppervlak.
- + Moenie toelaat dat ander kinders sonder toesig naby die drabedjie speel nie.
- + Moenie die drabedjie gebruik as enige deel daarvan gebreek, geskeur of weg is nie.
- + Hou die Joolz Hub weg van oop vure of ander hittebronne, soos elektriese staafverwarmers, gasvure, ens.
- + Die stuur en die onderkant van die drabedjie moet gereeld nagegaan word vir tekens van skade of verweer.
- + Maak vóór gebruik altyd seker dat die bufferstaaf korrek gekoppel is aan die bababedjie/sitplekeenhede.
- + Die kind in die drabedjie se kop moet nooit laer as sy/haar liggaam wees nie.
- + Moenie 'n ekstra matras bo-op die matras wat deur Joolz verskaf is, plaas nie.
- + Gebruik slegs onderdele wat deur Joolz verskaf of aanbeveel word.

## ONDERHOUD / WASINSTRUKSIES

Maak die materiaal met loutewarm water en seep skoon. Spoel dit met vars water en laat dit droog word. Moet nooit bleikmiddels of ander chemiese reinigers gebruik nie. Behandel die wiele en metaaldele periodiek (ongeveer een keer per maand) met Teflon- of silikonsproei om seker te maak dat die stootwaentjie aanhou om glad te loop.



Die aluminiumdele van jou Hub-stootwaentjie is geanodiseer om dit te beskerm teen eksterne invloede soos korrosie. Geanodiseerde aluminium-onderdele kan beskadig word deur suurreinigers of vetterigheid, en dit kan vlekke of verkleuring van die aluminiumonderdele veroorsaak. Daarom raai ons jou aan om die aluminiumonderdele van jou stootwaentjie met warm water en 'n sagte doek skoon te maak.

## WAARBORG

Joolz bied 'n lewenslange waarborg op die Joolz Hub. Die waarborg dek alle materiale en vervaardigingfoute, maar nie die omruil of teruggee van die produk nie. Om vir die lewenslange waarborg te kwalifiseer moet jy net binne ses maande ná aankoop jou Joolz-stootwaentjie op [register.joolz.com](https://register.joolz.com) registreer en jou oorspronklike aankoopbewys met die aankoopdatum bewaar. As jy nie jou Joolz-stootwaentjie binne ses maande ná aankope registreer nie, sal jy 'n twee-jaar-waarborg ontvang.

Die waarborg is slegs geldig as jy die volgende items saam met die defektiewe produk aan jou handelaar beskikbaar stel:

- 1) Jou waarborg-sertifikaat
- 2) Enige vorm van persoonlike identifikasie
- 3) 'N afskrif van die aankoopbewys (met die aankoopdatum)
- 4) 'N gedetailleerde beskrywing van die defek.

Jy sal die waarborgsertifikaat ontvang nadat jy jou Joolz-stootwaentjie op ons webblad ([register.joolz.com](https://register.joolz.com)) geregistreer het.

As die handelaar jou nie kan help met jou klage nie, kontak asseblief vir Joolz. Let wel, enige herstelwerk verleng nie die waarborgperiode nie.

## DIE WAARBORG DEK NIE:

- 1) Defekte wat deur normale slytasie, soos uitgewerkte wiele en tekstiel wat deur alledaagse gebruik verweer is, krappe op die aluminium en/of metaal en natuurlike verkleuring van materiale wat deur die verloop van tyd veroorsaak is, of skade wat ontstaan deur nie die instandhoudinginstruksies te volg nie.
- 2) Skade aan die wiele, soos gate en skeure.
- 3) Skade veroorsaak deur ongelukke, verkeerde gebruik, nalatigheid, brand, kontak met vloeistowwe of ander eksterne oorsake.
- 4) Skade veroorsaak deur nienakoming van die instruksiehandleiding, instruksiefilms of ander Joolz-riglyne.
- 5) Skade veroorsaak deur 'n ander produk, met inbegrip van bybehore.
- 6) Skade veroorsaak deur diens of herstelwerk gedoen deur iemand wat nie 'n amptelike verteenwoordiger van Joolz is nie.
- 7) Diefstal.
- 8) Lugvervoer of vragskade.

Veiligheid was 'n belangrike oorweging deur die hele ontwikkelingsproses van die Joolz Hub-stootwaentjie en bababedjie. Derhalwe voldoen ons produkte aan die hoogste veiligheidstandaarde:

Europa: EN 1888:2012 / EN 1466:2014/AC: 2015  
Verenigde State: ASTM F833-15 / ASTM F2050-16  
Kanada: SOR/2016-167  
Australië: AS/NZS 2088:2013

Besoek asseblief [joolz.com](https://joolz.com), [facebook.com/myjoolz](https://facebook.com/myjoolz) of kontak u handelaar vir enige vrae en/of kommentaar.





enjoy the ride #myjoolz



**JOO LZ** POSITIVE  
DESIGN  
stroll around the world of joolz.com